



EVO-1137-30 / EVO-1137-44

EVO MFG ProTek Front Axle Truss JK



Description	Qty
JK Truss Passenger Long Section	1
JK Truss Driver Section	1
JK Truss Passenger Short Section	1
JK Truss Forward Bridge Section	1
JK Truss Top Bridge Section	1
JK Truss Passenger Long Backbone	1
JK Truss Passenger Short Backbone	1
JK Truss Main TBar Bracket	1
JK Truss Rear TBar Bracket	1

NOTES: Recommended weld with axle suspended not under load of vehicle.

Only weld to cast if you are experienced in the process, welding to cast is not required.

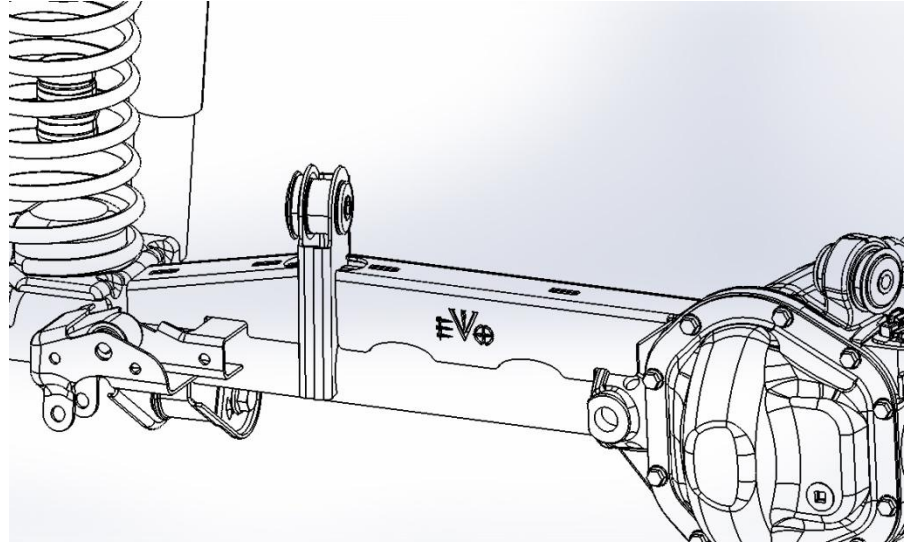
1-1/2 inch minimum bump stop extensions required for truss, 2" with bridge installation.

Installer do a full inspection for clearance on all surrounding components prior to welding.

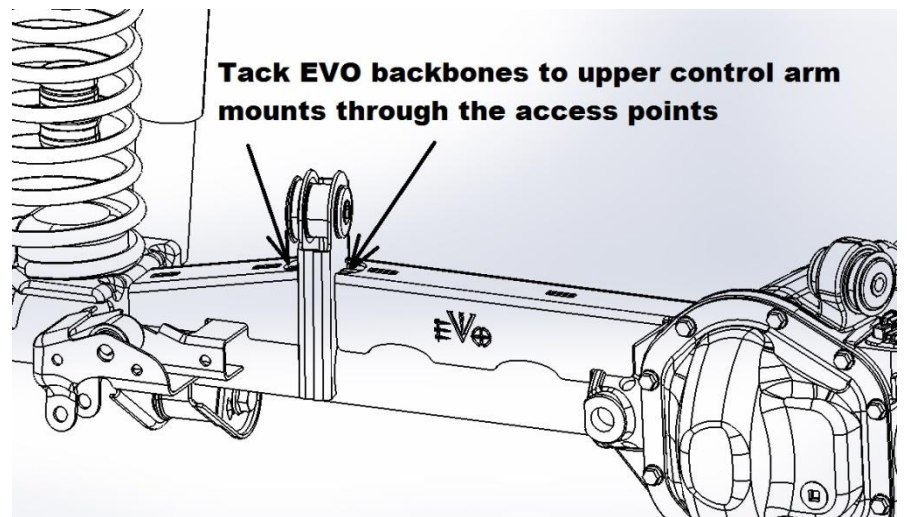
Some grinding / sanding may be required to achieve your desired fitment.

Truss should be welded alternating sides from ends to middle. Definitely not welded while under vehicle load and recommended to be welded while slightly preloaded/tensioned in opposite direction.

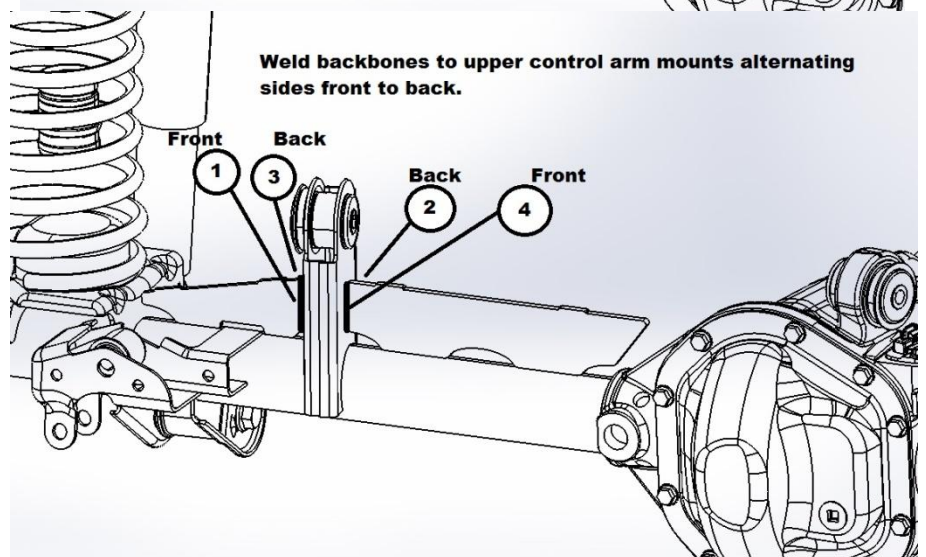
1. Place EVO Passenger side long and short truss sections with backbones on top of axle as shown in illustration. Ensure the truss and backbone are seated to your axle and in tab grooves on top of truss sections. **NOTE:** Sand all contact areas on axle clear of any paint in areas to be welded.



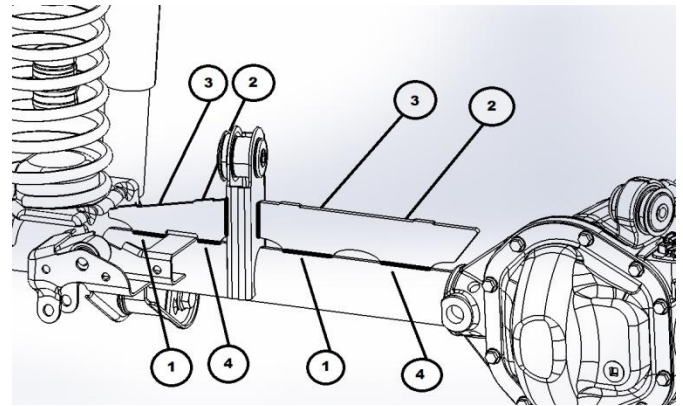
2. Tack weld the EVO backbones to the factory upper control arm mount through the access cut outs on the truss sections as shown in illustration.



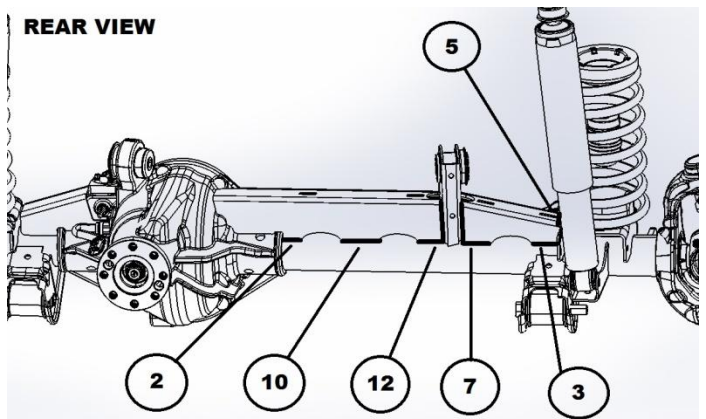
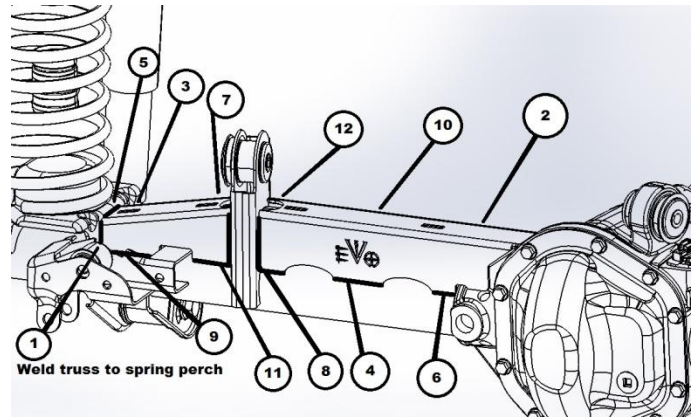
3. Remove EVO Passenger side Short and Long Truss sections from axle. Weld EVO backbones to the factory upper control arm mounts as show in illustration. Alternate welding front side to back side, as well as opposite sides of the backbone.



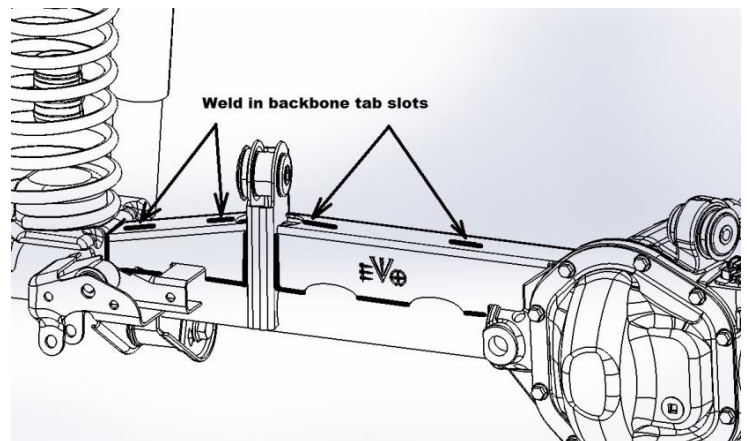
4. Tack backbones outer most ends prior to fully welding. Weld EVO backbones to axle tubes. Alternate front to back, side to side as shown in illustration numbering. Numbers designate order of welds.



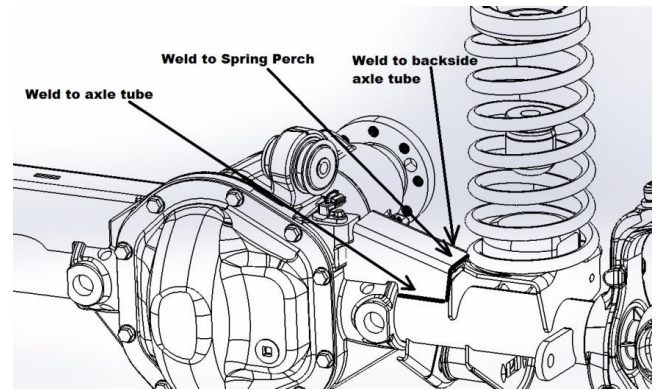
5. Place EVO Short and Long passenger side truss sections back on axle. Tabs on backbones should line up with slots in EVO truss sections. Ensure truss sections seat in place and adjust as needed. Some taps with a hammer may be necessary to align. Tack weld to the axle in multiple locations at the ends of all brackets. Once you are satisfied with the fit weld the EVO Short and Long passenger truss sections. Be certain to alternate sides from ends to middle as shown in illustrations.



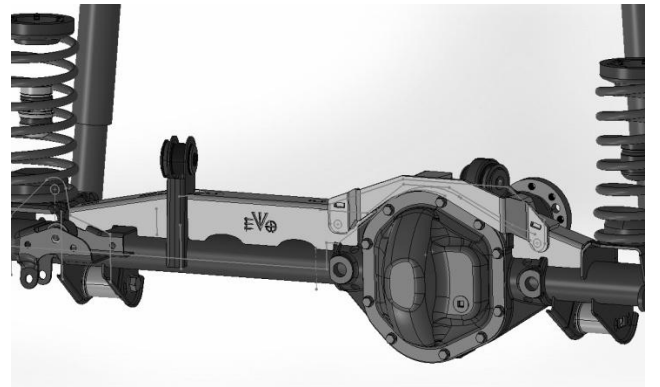
6. Weld Backbone tab slots as shown in illustration.



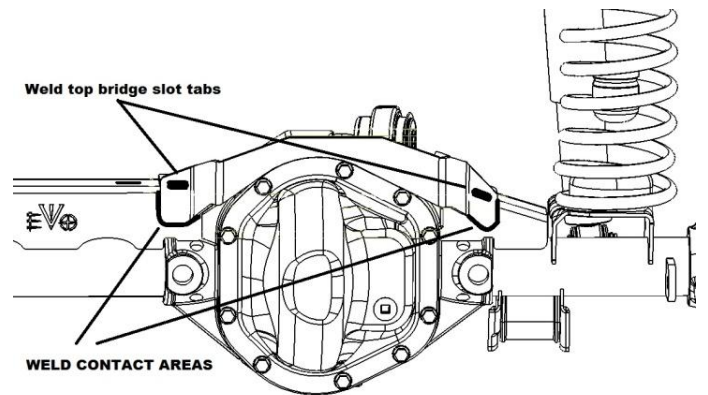
7. Place EVO driver side truss section on axle as shown in illustration and weld to spring perch and axle tube.



8. Place EVO Bridge and Bridge Top section on axle as shown in illustration. Verify acceptable fitment and tack weld bridge to truss in multiple locations prior to fully welding.



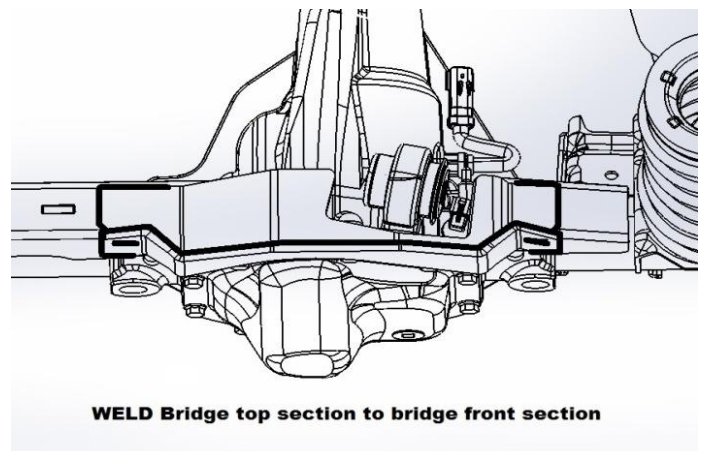
9. Weld contact areas of front bridge to truss sections. Weld top bridge tabs to bridge slots as shown in illustration.



10. Weld the EVO bridge top section to the EVO front bridge section.

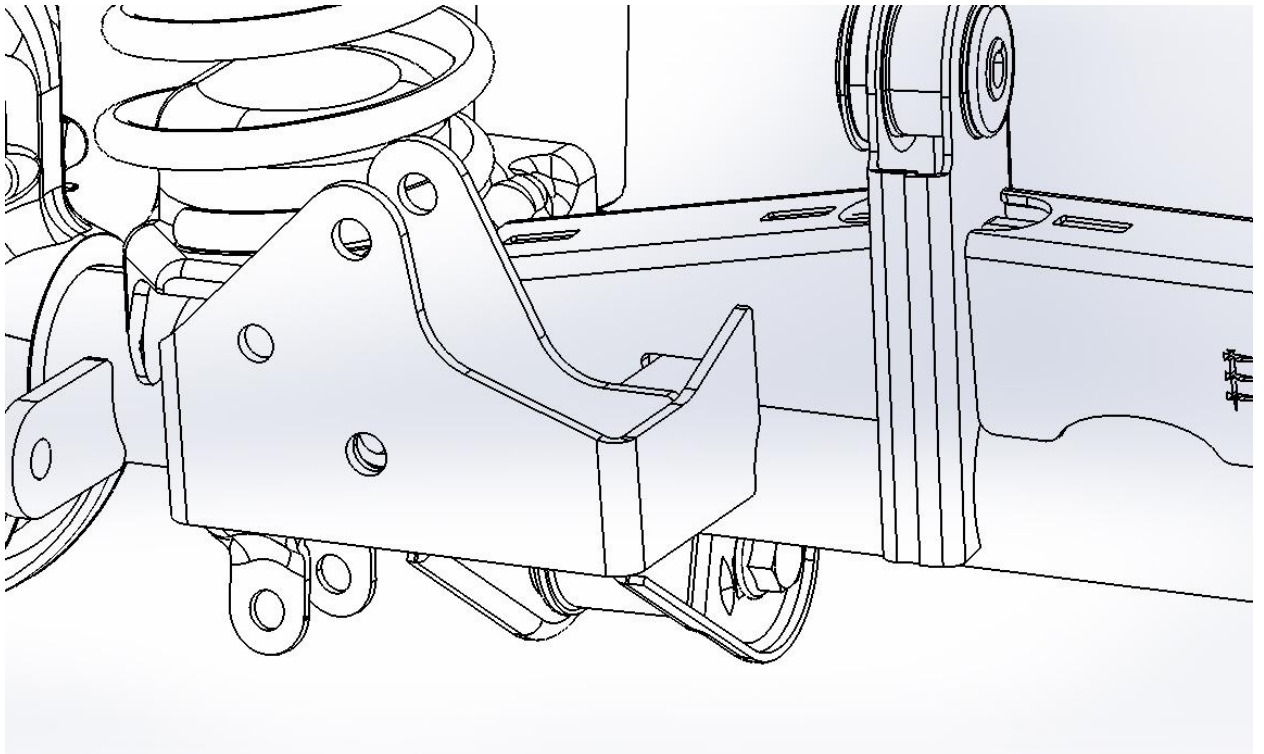
(DO NOT WELD ONE CONTINUOUS WELD, alternate end to end in 2" weld sections)

11. Weld EVO bridge to EVO passenger and driver side truss sections. Darker lines in illustration are for reference only. Do not weld as one continuous weld.



Optional install with Draglink Flip Kits, verify draglink draglink and trackbar are parallel adjust accordingly.

12. Insert inner and outer trackbar bracket around factory trackbar mount. Loosely install trackbar into new higher location.
13. Tack all bracketry in multiple locations.
14. After verification of trackbar and draglink alignment, and a full interference check, weld all bracketry connection to all axle components.



15. Remove Trackbar, Paint all exposed metal.
16. Reinstall trackbar and torque to factory specifications.

Passenger side middle hole can be used for steering stabilizer relocation, spacers between bracket and stabilizer may be required (not included).