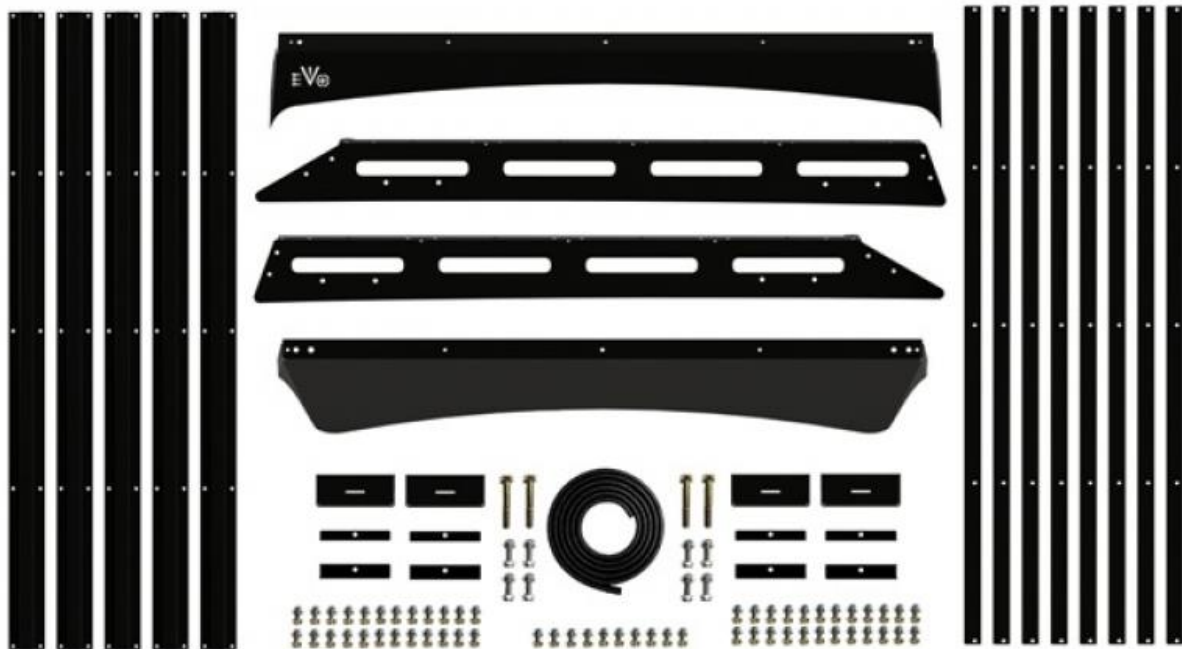




EVO Manufacturing

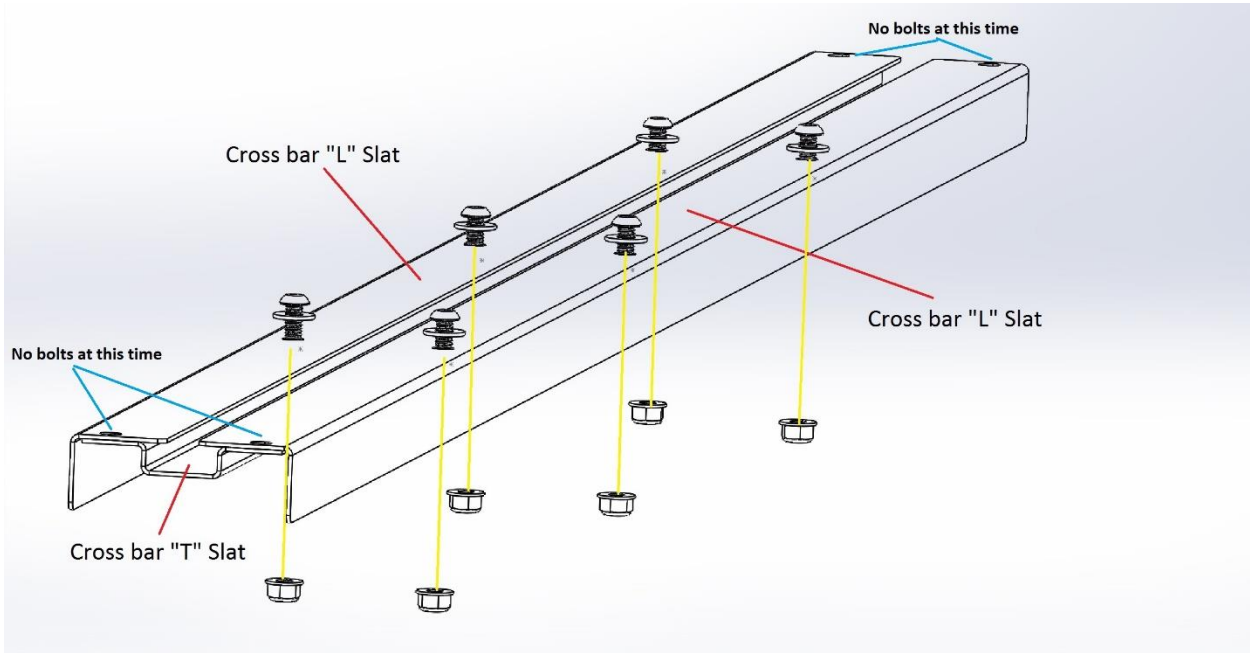
EVO-3038/3038B JL Unlimited Trail Rack



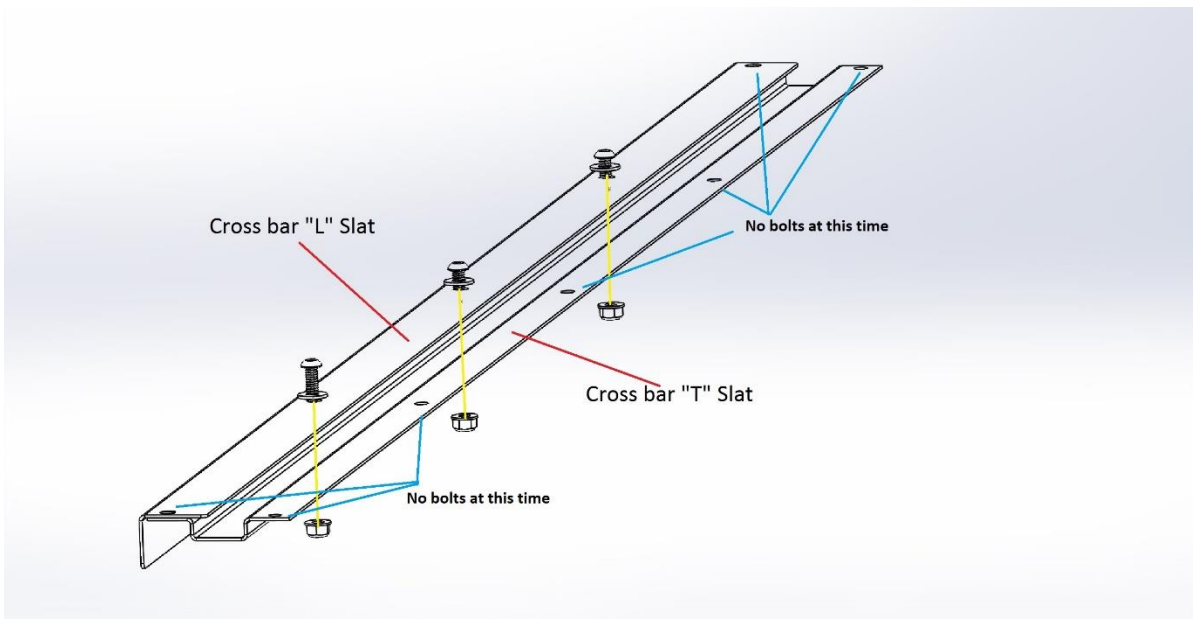
READ BEFORE INSTALLATION:

This rack has a distributed dynamic load rating of 70kg / 154lbs. Applying a bead of RTV Silicone in drip rail before inserting rack rails is advised for higher loads/speeds. It is advised to not carry items at high speeds that can create lift (upward force to due to wind) such as but not limited to kayaks and surfboards etc.

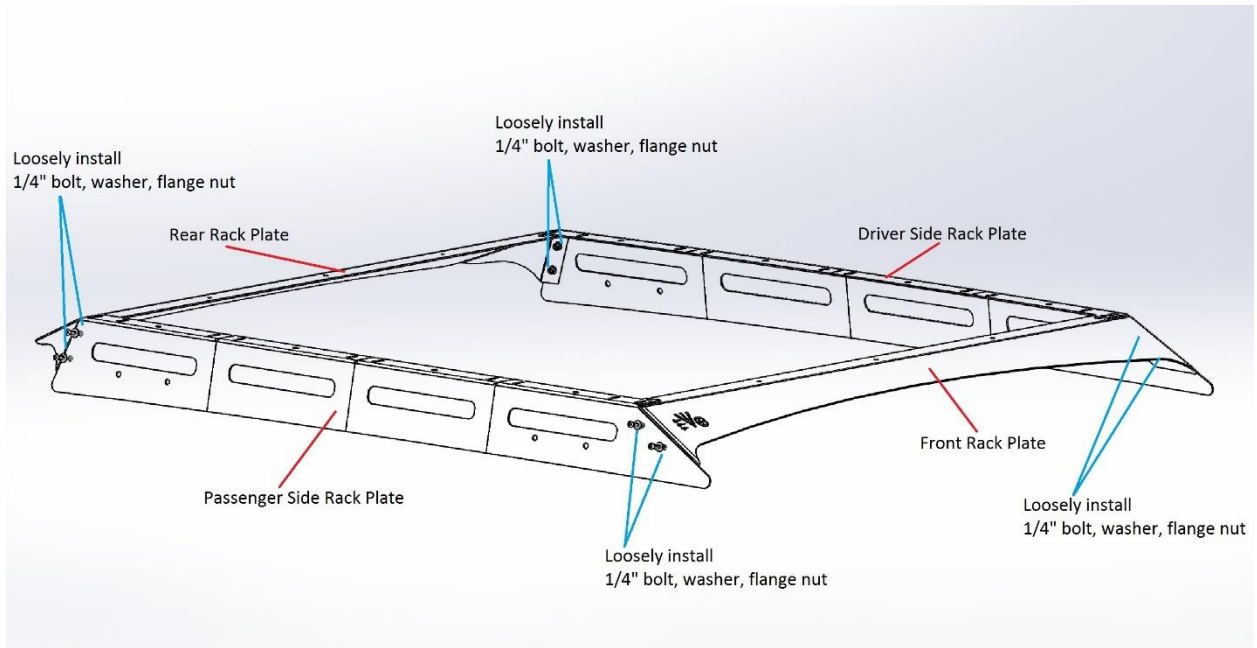
1. On a flat level surface. Begin by assembling the 3 inner slat assemblies. Each will consist of 2 "L" Slat pieces and 1 "T" slat pieces. Using supplied $\frac{1}{4}$ " bolt, washer and flange nuts, assemble 3 sets of inner slat assemblies by installing 6 bolts on the 6 inner holes of each. The end 2 holes on each end of each slat assembly should remain without bolts at this time. Tighten bolts of all 3 assemblies.



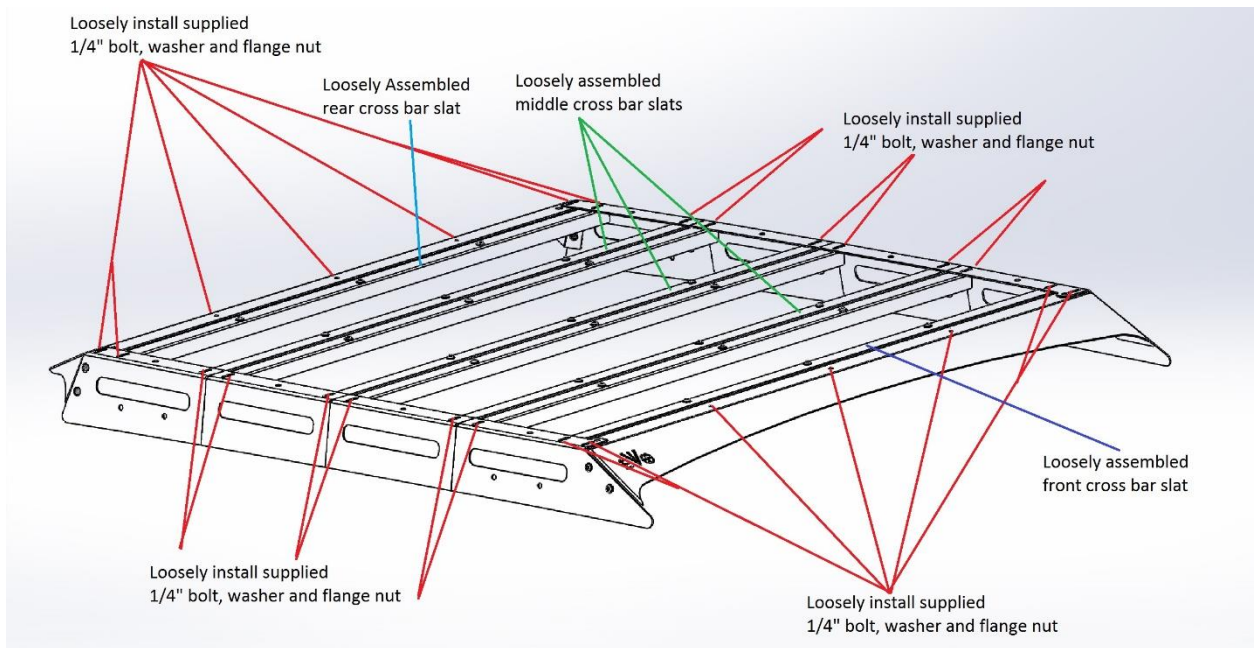
2. Assemble the front and rear slat assemblies next. These will consist of 1 "L" Slat piece and 1 "T" flat piece. Using supplied $\frac{1}{4}$ " bolt, washer and flange nuts, assemble 2 sets of end (front and rear) slat assemblies by installing bolts on the 3 inner holes only. The end 2 holes and other middle 3 holes should remain without bolts at this time. Tighten 3 bolts on both front and rear assemblies. Front and rear assemblies are duplicates of each other.



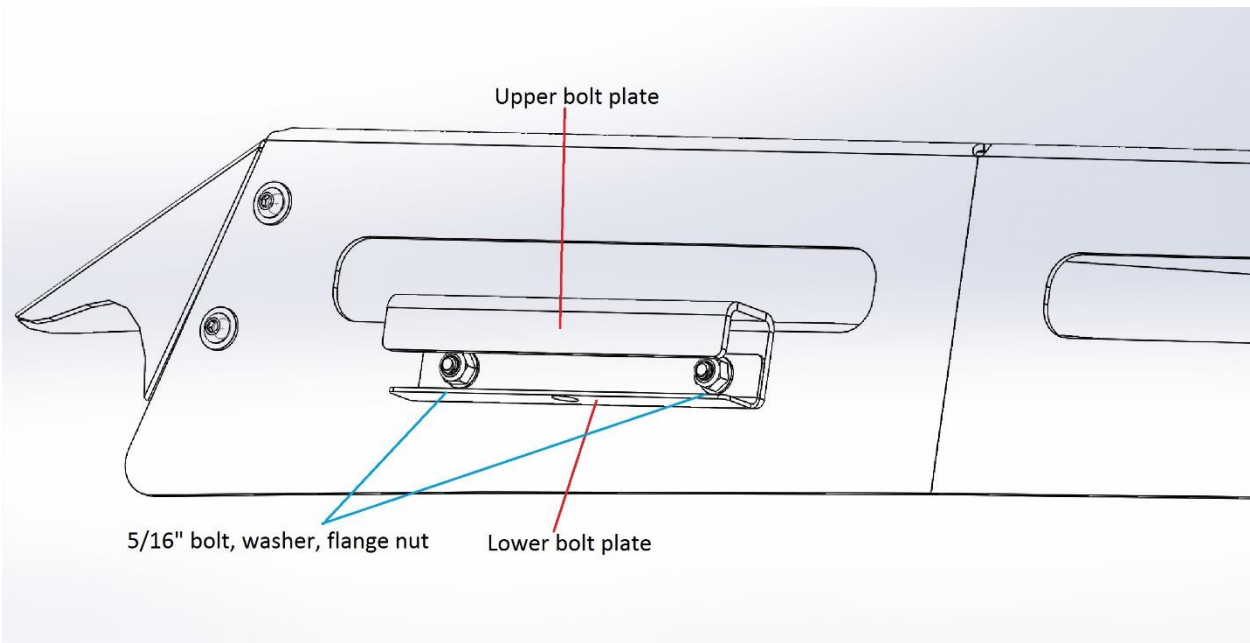
3. On a flat surface. Loosely assemble the perimeter sections of the rack. This consists of the Driver side plate, Passenger side plate, Front plate and Rear plate. Using the supplied $\frac{1}{4}$ " bolts, washer and flange nut loosely install 2 sets at each corner.



4. Using supplied $\frac{1}{4}$ " bolt, washer and flange nuts, loosely install the 3 pre-assembled middle cross bar slats, front and rear cross bar slat. All cross bar assemblies should be installed on the underside of the perimeter parts.



5. Using supplied 5/16" bolt, washer, flange nut. Install upper bolt plate and lower bolt plate as shown. Install bolt from inside toward the outside. Tighten bolts. Do this at all 4 ends.



6. With rack loosely assembled and upside down. Flip over if needed. Install/press on edge trim on driver side plate edge end to end. Trim and use remainder to repeat on passenger side plate.
7. This may require 2 or more people. Flip rack with top up. Lift over jeep hard top and set into place on into the drip rail. Rack should be placed where the rear edge of the side plates line up with the rear of the drip rail. The rack may require a slight push to fully seat into drip rail.



8. Install edge trimming on the edge of the 4 outer rail mounting plate lips.
9. Using the supplied 3/8 bolt and lock washer, addition of Loctite or similar product on bolt threads is recommend for this step. Insert bolt and washer from top down of upper mounting plate and thread into outer rail mount. Lower edge with trim should be grabbing underside of hardtop drip rail. Do not over tighten this bolt. Snug to 15 lb/ft. Repeat on all 4 mounting ends.



Supplied 3/8" bolt and lock washer

Edge trimming

10. Tighten all loose bolts.





Size	Recommended Torque											
	Grade 2		Grade 5		Grade 8		18-8 S/S		Bronze		Brass	
	Coarse	Fine	Coarse	Fine	Coarse	Fine	Coarse	Fine	Coarse	Fine	Coarse	Fine
#4*	-	-	-	-	-	-	5.2	-	4.8	-	4.3	-
#6*	-	-	-	-	-	-	9.6	-	8.9	-	7.9	-
#8*	-	-	-	-	-	-	19.8	-	18.4	-	16.2	-
#10*	-	-	-	-	-	-	22.8	31.7	21.2	29.3	18.6	25.9
1/4	4	4.7	6.3	7.3	9	10	6.3	7.8	5.7	7.3	5.1	6.4
5/16	8	9	13	14	18	20	11	11.8	10.3	10.9	8.9	9.7
3/8	15	17	23	26	33	37	20	22	18	20	16	18
7/16	24	27	37	41	52	58	31	33	29	31	26	27
1/2	37	41	57	64	80	90	43	45	40	42	35	37
9/16	53	59	82	91	115	129	57	63	53	58	47	51
5/8	73	83	112	128	159	180	93	104	86	96	76	85
3/4	125	138	200	223	282	315	128	124	104	102	118	115
7/8	129	144	322	355	454	501	194	193	178	178	159	158
1+	188	210	483	541	682	764	287	289	265	240	235	212

