



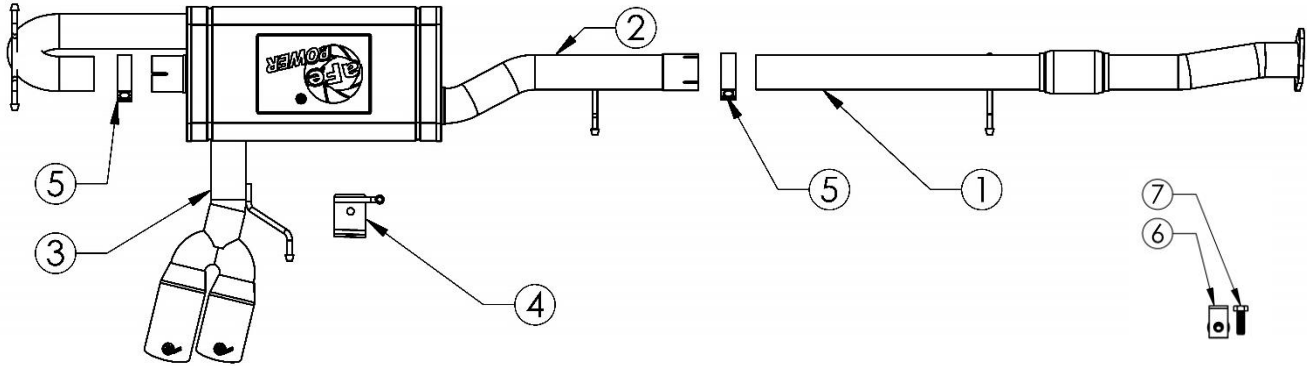
INSTALLATION INSTRUCTIONS

Cat-Back Exhaust

MAKE: GMC/Chevrolet
 MODEL: Canyon/Colorado
 YEAR: 2023
 ENGINE: L4-2.7L (t)

49-34142-B
 49-34142-P

NOTE: Does Not Fit Vehicles with OE Rock Sliders



Item	Description	Part Number	Quantity
1	Front Pipe	05-244491	1
2	Muffler Assembly	05-244492	1
3	Tailpipe	05-244495	1
3	Tailpipe	05-244495B	1
4	Hanger Bracket	05-245501	1
5	Clamp, Band: 3"	05-41055	2
6	Nut, Clip-On: M8 x 1.25	05-60104	2
7	Screw, Hex Flange: M8 x 1.25 x 25	03-50182	2

aFe POWER recommends professional installation on this product. Thoroughly inspect the aFe POWER exhaust system to make sure there is no damage from shipping (if damage is noted, immediately contact aFe POWER customer service). Allow time for your vehicle to cool down prior to installation. When working on your vehicle proceed with caution. Wear protective safety equipment; eye goggles and gloves to ensure a safe installation.

Install band clamps to proper torque specifications of 40-45 ft-lb.

Install V-band clamps with anti-seize lubricant and hand tighten only to torque specifications of 10-15 ft-lb.





INSTALLATION INSTRUCTIONS

MAKE: GMC/Chevrolet
MODEL: Canyon/Colorado
YEAR: 2023
ENGINE: L4-2.7L (t)

Cat-Back Exhaust

49-34142-B

49-34142-P

NOTE: Does Not Fit Vehicles with OE Rock Sliders

1. **(Read instructions prior to installation.)** It is recommended to not fully tighten the exhaust until it has been fully installed. Leave loose for adjustability.
2. Secure vehicle on jack stands (refer to your manual for specified jack stand positions).
3. For faster installation, spread out the parts of the exhaust alongside your vehicle as shown in the diagram above.
4. Secure the stock exhaust with jack/stands.
5. Remove the (x2) Nuts and (x2) Bolts from the Front Pipe on the O.E. Exhaust. Retain hardware for aFe Power Exhaust system installation.
6. Cut the O.E. Exhaust before the Second Hanger from the front of the Vehicle.
7. Remove the Hangers from the O.E. Rubber Mount Isolators.
8. Remove the Front Half of the cut O.E. Exhaust from the vehicle.
9. Remove the Rear Half of the cut O.E. Exhaust from the vehicle.
10. Install the aFe Power Front Pipe using the O.E. Hardware that was retained. Slide Hanger into O.E Rubber Mount Isolator.
11. Install the aFe Power Muffler Assembly to the aFe Power Front Pipe using the provided 3" Band Clamp. Slide the Hanger into the O.E. Rubber Mount Isolator.
12. Install the aFe Power Hanger Bracket to the chassis of the car using the provided Clip-On Nut and Screw. Use one of the remaining O.E. Rubber Mount Isolators on the Hanger Bracket.
13. Install the aFe Power Tailpipe to the aFe Power Muffler Assembly using the provided 3" Band Clamp. Slide the Hanger into the O.E. Rubber Mount Isolator being held by the Hanger Bracket.
14. Ensure that all the components of the aFe POWER exhaust system are aligned and are at a safe clearance from all wires, hoses, brake lines, body parts, and tires.
15. Start from the front of the aFe exhaust system and evenly tighten all clamps and fasteners.
16. Start the vehicle and check for any leaks. If any leaks are found, determine cause and repair as necessary.
17. Remove vehicle from jacks stands.
18. It is recommended to re-tighten all clamps and hardware after 50-100 miles.