

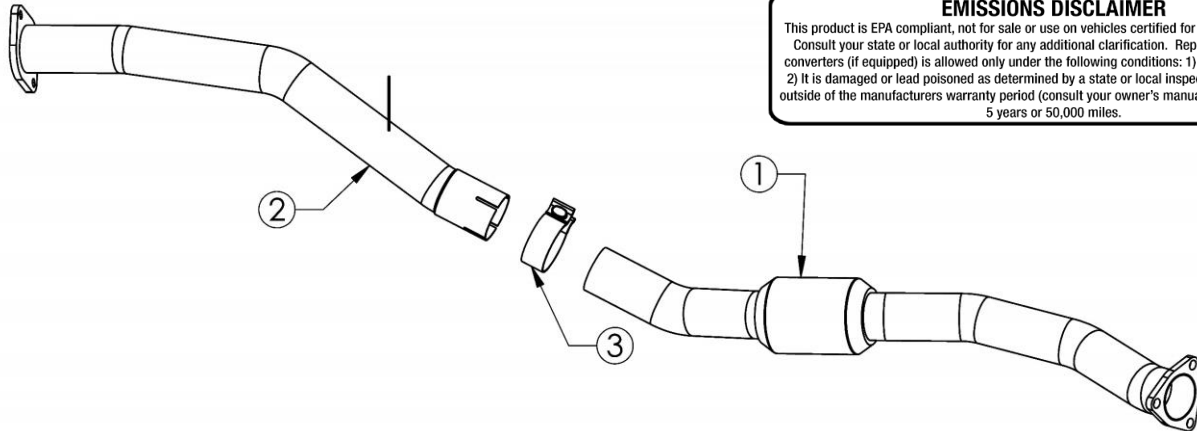


INSTALLATION INSTRUCTIONS

Direct Fit Catalytic Converter

MAKE: Subaru
MODEL: Outback
YEAR: 2013-2016
ENGINE: H4-2.5L

47-46801



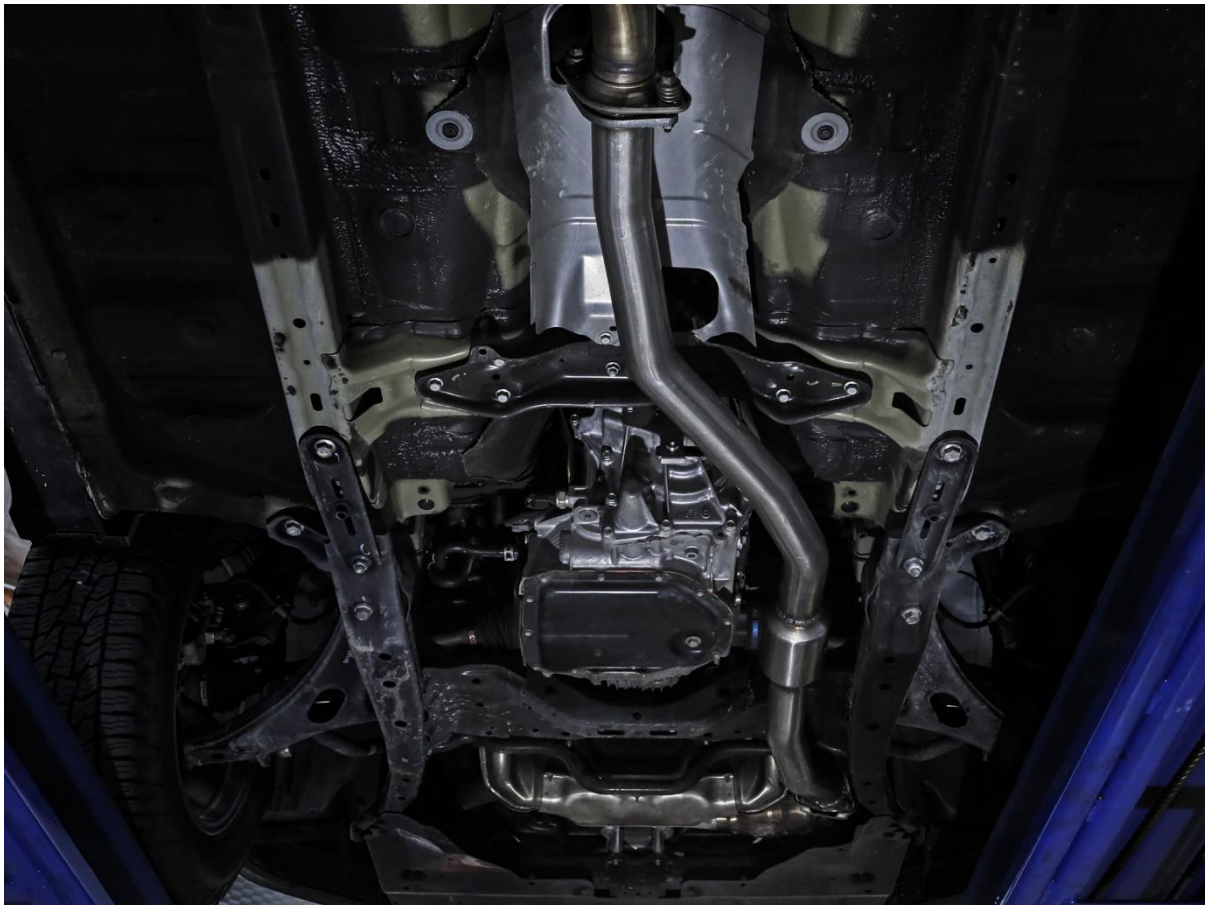
EMISSIONS DISCLAIMER
This product is EPA compliant, not for sale or use on vehicles certified for the state of California. Consult your state or local authority for any additional clarification. Replacement of catalytic converters (if equipped) is allowed only under the following conditions: 1) It is missing or stolen; 2) It is damaged or lead poisoned as determined by a state or local inspection facility; or 3) It is outside of the manufacturers warranty period (consult your owner's manual), if none stated, 5 years or 50,000 miles.

Item	Description	Part Number	Quantity
1	DFC Front Assembly	05-245457	1
2	DFC Rear Assembly	05-245479	2
3	Clamp, Band: 2-1/2"	05-41061	1

aFe POWER recommends professional installation on this product. Thoroughly inspect the aFe POWER exhaust system to make sure there is no damage from shipping (if damage is noted, immediately contact aFe POWER customer service). Allow time for your vehicle to cool down prior to installation. When working on your vehicle proceed with caution. Wear protective safety equipment; eye goggles and gloves to ensure a safe installation.

Install band clamps to proper torque specifications of 40-45 ft-lb.

Install V-band clamps with anti-seize lubricant and hand tighten only to torque specifications of 10-15 ft-lb.





INSTALLATION INSTRUCTIONS

Direct Fit Catalytic Converter

MAKE: Subaru
MODEL: Outback
YEAR: 2013-2016
ENGINE: H4-2.5L

47-46801

1. **(Read instructions prior to installation.)** It is recommended to not fully tighten the exhaust until it has been fully installed. Leave loose for adjustability.
2. Secure vehicle on jack stands (refer to your manual for specified jack stand positions).
3. For faster installation, spread out the parts of the exhaust alongside your vehicle as shown in the diagram above.
4. Secure the stock exhaust with jack/stands.
5. Remove the (x3) Bolts holding the O.E. Front Catalytic Converter to the O.E. Rear Catalytic Converter. Retain hardware for re-installation.
6. Remove the (x2) Bolts holding the O.E. Rear Catalytic Converter to the O.E. Exhaust. Remove the Bolt holding the O.E. Rear Catalytic Converter to the Chassis. Retain Hardware for reinstallation.
7. Remove O.E. Rear Catalytic Converter from vehicle.
8. Install the aFe Power DFC Front Assembly using the O.E. Bolts and Gasket.
9. Slide the aFe Power DFC Rear Assembly into the aFe Power DFC Front Assembly and secure with provided 2.5" Band Clamp. Using the O.E. Bolt secure the aFe Power DFC Rear Assembly to the chassis.
10. Install the afe Power DFC Rear Assembly to the O.E. Exhaust using the O.E. Hardware and gasket.
11. Ensure that all the components of the aFe POWER exhaust system are aligned and are at a safe clearance from all wires, hoses, brake lines, body parts, and tires.
12. Start from the front of the aFe exhaust system and evenly tighten all clamps and fasteners.
13. Start the vehicle and check for any leaks. If any leaks are found, determine cause and repair as necessary.
14. Remove vehicle from jacks stands.
15. It is recommended to re-tighten all clamps and hardware after 50-100 miles.