

***aFe Control
Front Tow Hook
09-20 Nissan 370Z Z34
Nissan Z RZ34***

Product Number: 450-712001-B, 450-712001-G, 450-712001-L, 450-712001-R
Installation Time: 5 min.



Recommended Tools:
Sockets: 1", 15mm

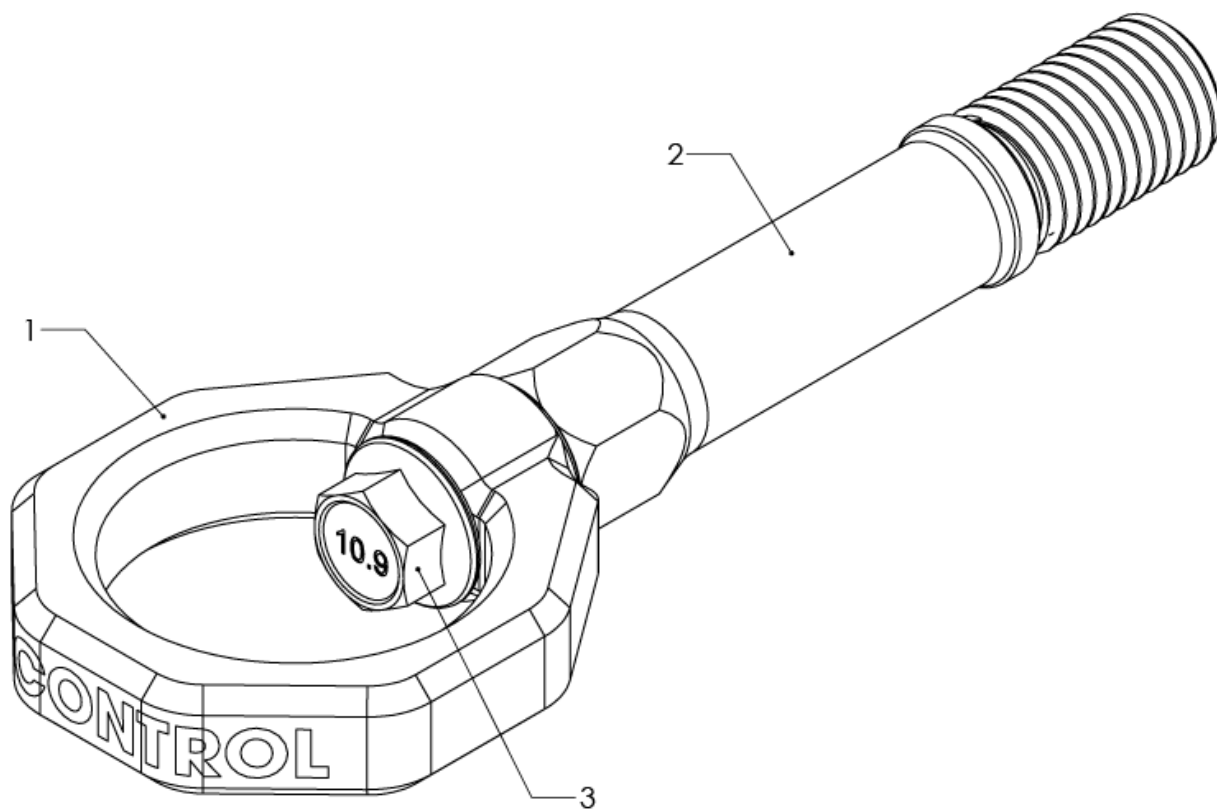
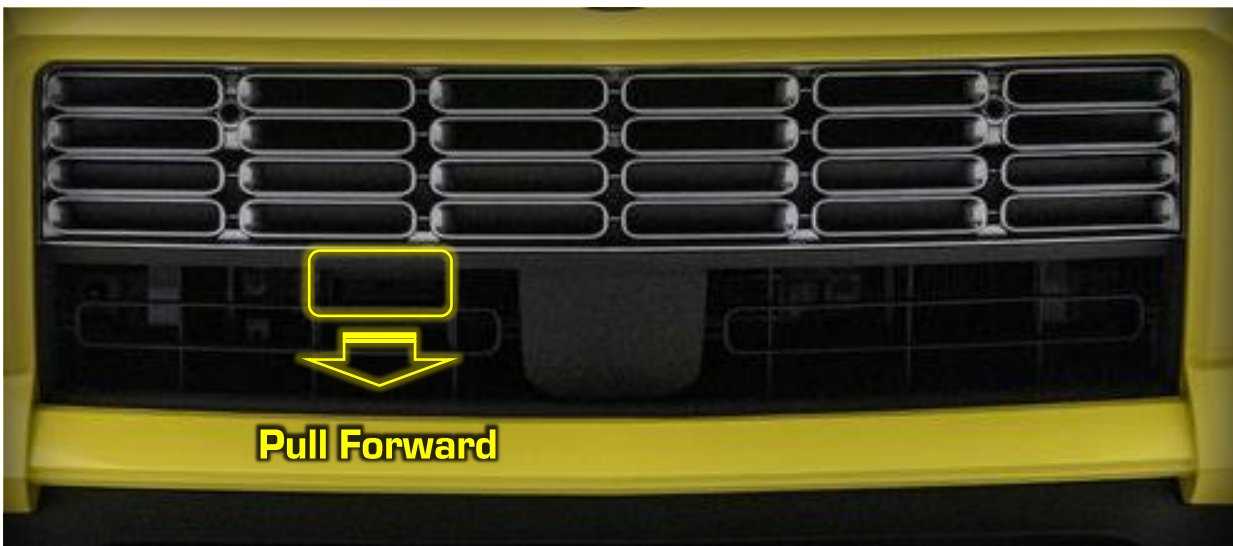
Parts List:


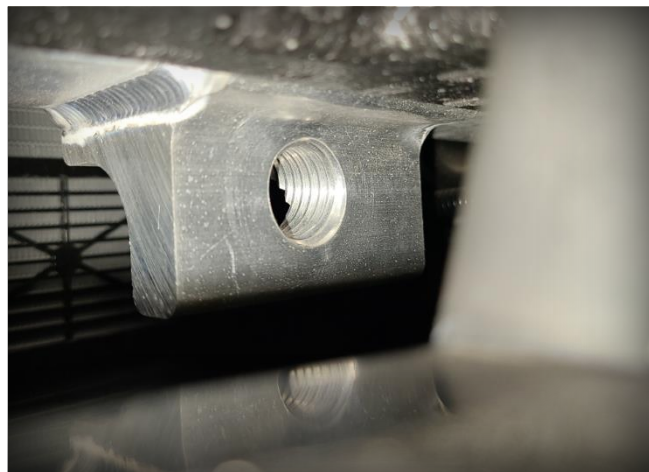
Diagram #	Part No.	Description	Qty.
1	00P-0P2535-R	Loop, Tow Hook Red	1
	00P-0P2535-L	Loop, Tow Hook Blue	1
	00P-0P2535-B	Loop, Tow Hook Black	1
	00P-0P2535-G	Loop, Tow Hook Gray	1
2	00P-0P2649-B	Stem, 5.2"L Nissan	1
3	00P-0C1700-B	Bolt, M12-1.75x40 Hex Flange	1

Installation:

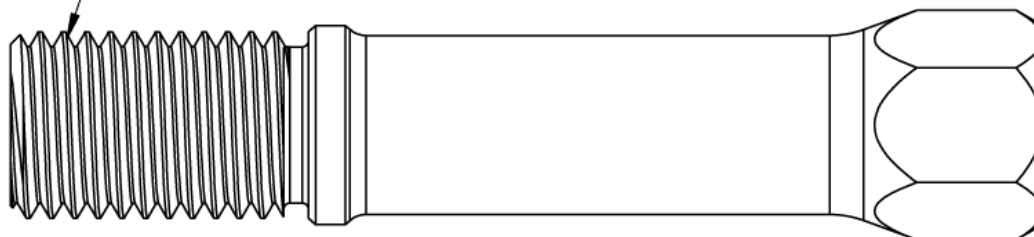
- 1 Pop plastic tow hook cover off by gently pulling forward by hand.



- 2 Install tow hook stem into the factory threaded hole. Both the stem and bolt threads are pre-coated with Vibra-tite threadlocker. This keeps your tow hook from loosening due to vibration. The special threadlocker is designed to remain flexible, removable, and reusable. Fully tighten stem with a 1" socket.



Threads pre-coated with
Vibratite Thread Locker



- 3 Install the tow hook loop and M12 flange bolt using a 15mm socket.



You are finished with the installation.



Nissan Z



Nissan 370Z



Page Left Intentionally Blank

Page Left Intentionally Blank

Page Left Intentionally Blank