

aFe Control Rear Tow Hook Chevrolet C8 Corvette

Product Number: 450-401015-B, 450-401015-G, 450-401015-L, 450-401015-R
Installation Time: 5 min.



Recommended Tools:
Sockets: 7/8" or 22mm, 15mm

Parts List:

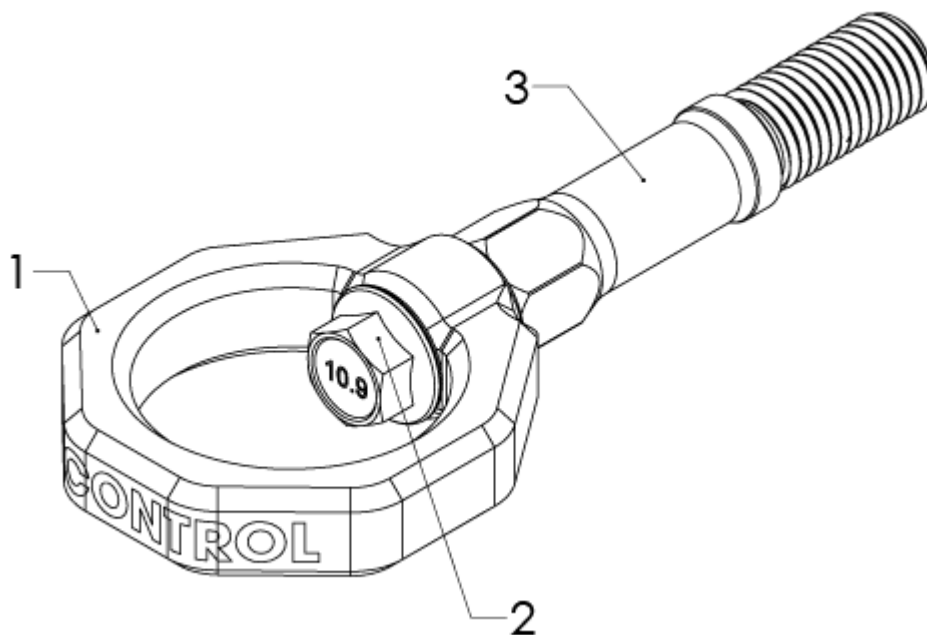


Diagram #	Part No.	Description	Qty.
1	00P-0P2535-R	Loop, Tow Hook Red	1
	00P-0P2535-L	Loop, Tow Hook Blue	1
	00P-0P2535-B	Loop, Tow Hook Black	1
	00P-0P2535-G	Loop, Tow Hook Gray	1
	2	00P-0P2648-B	Stem, 4.2"L GM
3	00P-0C1700-B	Bolt, M12-1.75x40 Hex Flange	1

Installation:

- 1 Pop plastic tow hook cover off by carefully prying the bottom using a plastic trim tool. Tip: Apply tape to the area you intend to pry on to protect the paint.



Note: Aftermarket carbon fiber diffuser shown.

- 2 Install the tow hook stem into the factory threaded hole. Both the stem and bolt threads are pre-coated with Vibra-tite threadlocker. This keeps your tow hook from loosening due to vibration. The special threadlocker is designed to remain flexible, removable, and reusable. Fully tighten stem with a 7/8" or 22mm socket.



- 3 Install the tow hook loop and M12 flange bolt using a 15mm socket.



You are finished with the installation.

