

# **GT** **MOMENTUM**

*advanced FLOW engineering*

Cold Air Intake System

**Instruction Manual** P/N: 50-70106D / 50-70106R

Make: Jeep

Model: Wagoneer (WS)

Year: 2022-2023

Engine: V8-5.7L



- Please read the entire instruction manual before proceeding.
- Ensure all components listed are present.
- If you are missing any of the components, call customer support at 951-493-7185.
- Ensure you have all necessary tools before proceeding.
- Do not attempt to work on your vehicle when the engine is hot.
- Retain factory parts for future use.

Label	Qty.	Description	Part Number
A	1	Air Filter (Pro DRY S) for 50-70106D	21-91092
A	1	Air Filter (Pro 5R) for 50-70106R	24-91092
B	1	Tube	05-5070106B1
C	1	Housing	05-5070106B2
D	1	Coupling, Silicone Elbow (3-1/2" to 4") X 40Deg	05-01447
E	1	Clamp, #056 (3-1/16" – 4")	03-50009
F	1	Clamp, #064 (3-9/16" – 4-1/2")	03-50006
G	1	Grommet	03-50167
H	1	Fitting, Air Temperature Sensor	05-01454
J	1	Fitting, SAE 15.82 – 5/8" to 3/8" NPT	05-01339
K	1	Plug, Silicone	05-01429

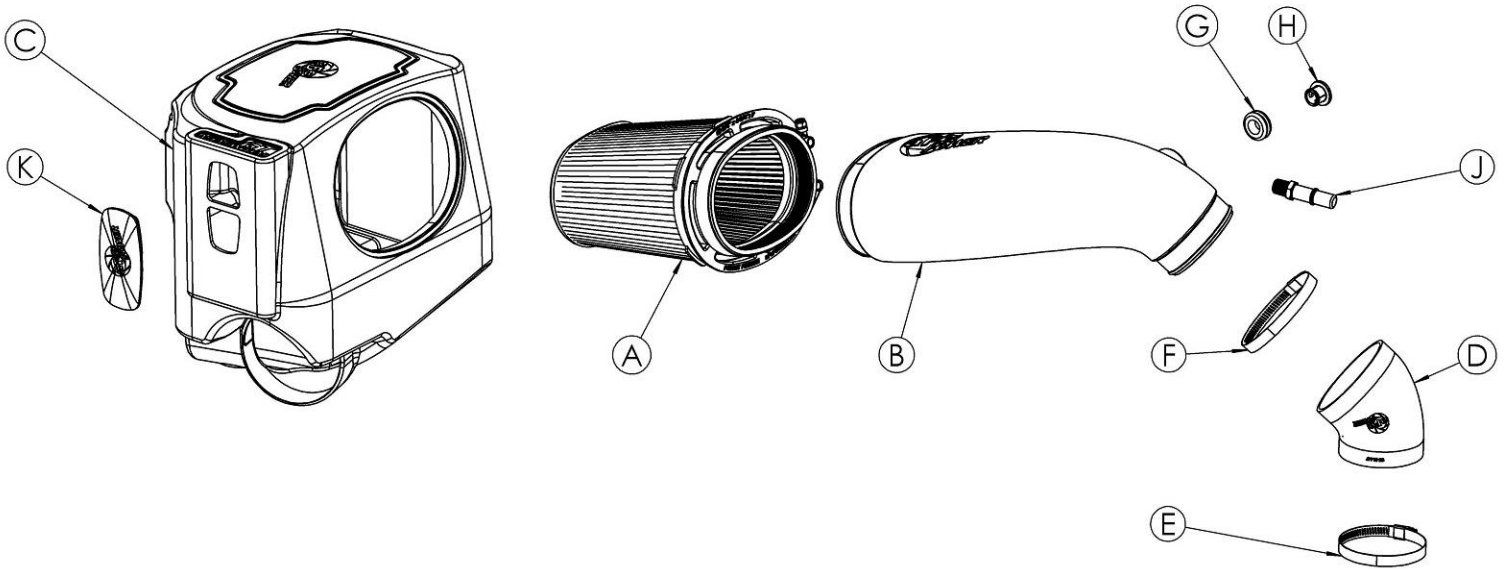
**Installation will require the following tools:**

Socket set, socket wrench, and panel popper.

Warranty information available at <https://afepower.com/contact#warranty>.

**Emissions Disclaimer:**

This product is not currently CARB exempt and is not available for purchase in California or for use on any vehicle registered with the California Department of Motor Vehicles.





**Figure A**

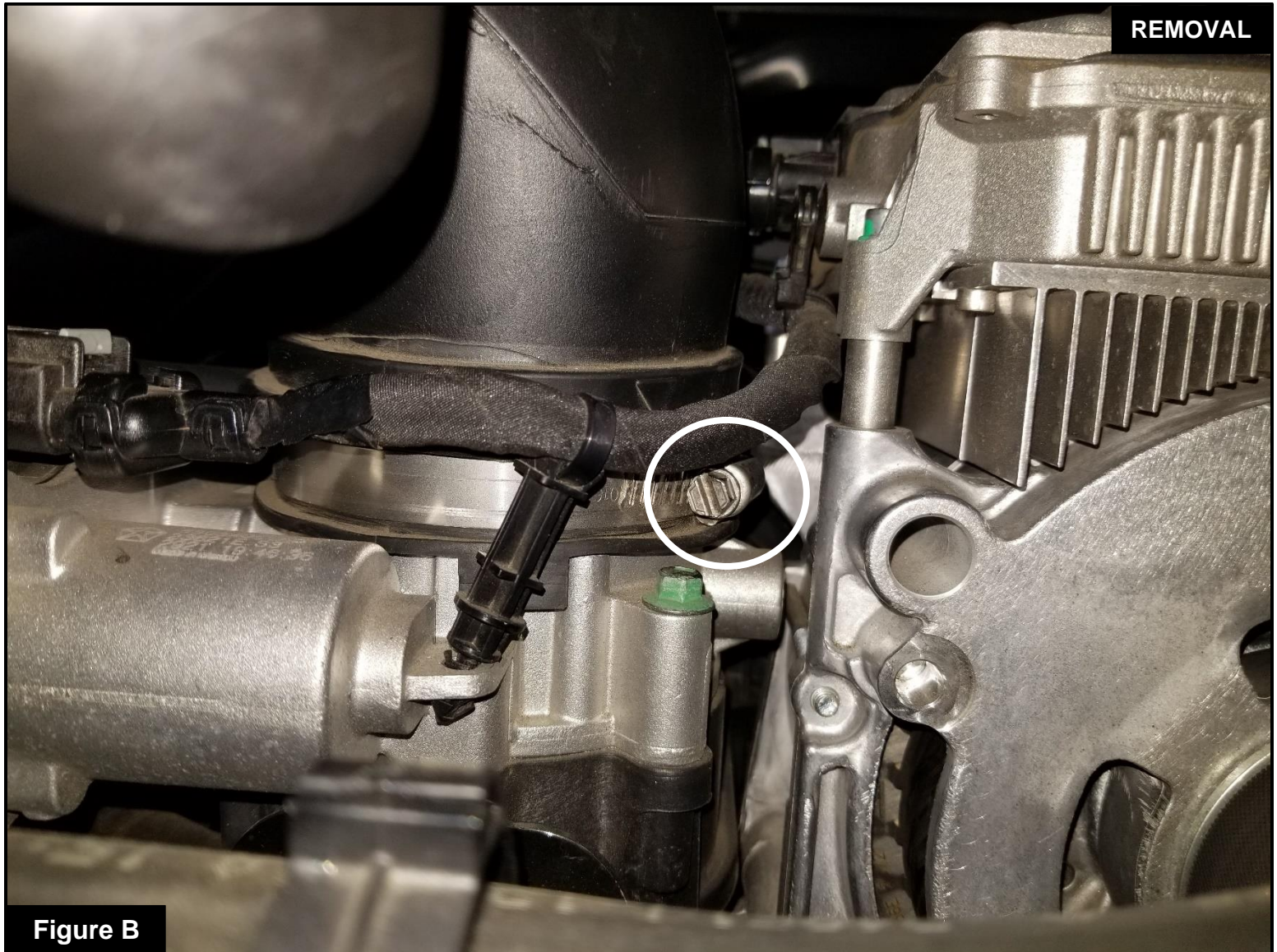
**Refer to Figure A for Steps 1-3**

Step 1: Disconnect the temperature sensor from the factory intake tube and detach the harness from the tube.

Step 2: Disconnect the crankcase quick-disconnect line from the tube.

Step 3: Loosen the clamp on the factory housing side.



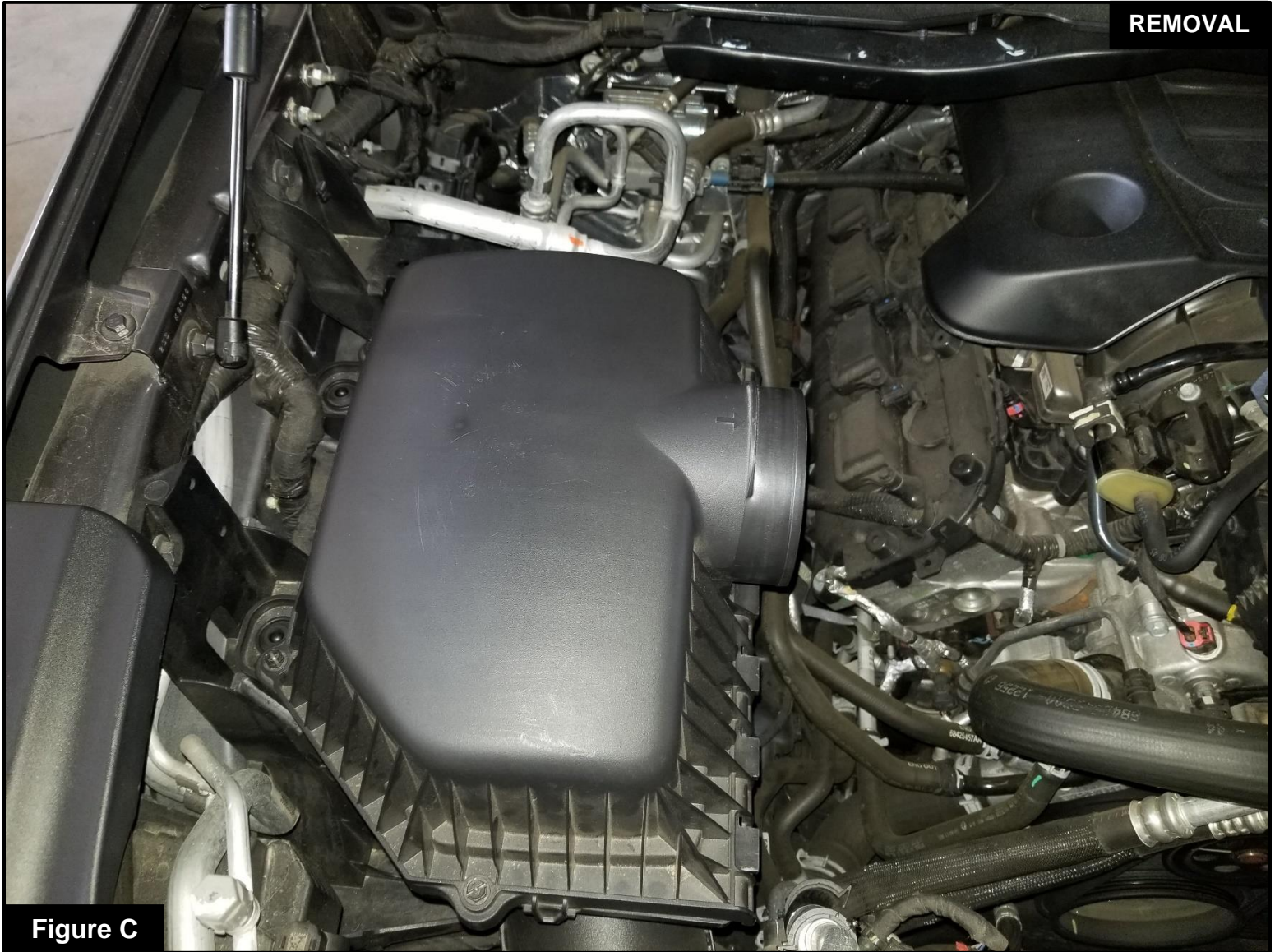


**Refer to Figure B for Steps 4-5**

Step 4: Loosen the clamp on the throttle body side.

Step 5: Then lift the factory intake tube out of the vehicle.





**Refer to Figure C for Step 6**

Step 6: Pull the factory housing out of its gromet and carefully lift it out of the engine bay.



Figure D

### Refer to Figure D for Step 7

Step 7: Install the supplied NPT fitting into the aFe POWER tube.

**Note: this is an NPT fitting. The small gap between the tube and hex is normal.**





### **Refer to Figure E for Step 8**

Step 8: Install the supplied rubber grommet and air temperature fitting into the aFe POWER intake tube.

**NOTE:** It may help to use lubricant to slip the temperature fitting into the grommet.



**Figure F**

### **Refer to Figure F for Steps 9-10**

Step 9: Transfer the temperature sensor from the factory intake tube to the aFe POWER intake tube.

Carefully rotate counterclockwise the sensor to remove it from the factory intake tube. Then, install the sensor into the aFe POWER intake tube by pushing it into the fitting and rotating clockwise by a quarter-turn, and keeping it from sliding out.

**NOTE: Keep the factory O-ring installed on the temperature sensor to provide an air seal.**

Step 10: Install the supplied coupling and clamps on the aFe POWER tube. Do not tighten clamps at this time.



Figure G

**Refer to Figure G for Step 11**

Step 11: Transfer the four (4) factory grommets from the factory housing to the aFe POWER housing.



**Figure H****Refer to Figure H for Steps 12-13**

Step 12: Install the supplied air filter into the aFe POWER housing. Firmly press the air filter into the large opening on the side, making sure all the air filter tabs lock into place.

Step 13: Place the clamp over the flange of the air filter. Do not tighten at this time.

**Figure I****Refer to Figure I for Step 14**

Step 14: This kit includes an optional plug to close off the auxiliary air inlet. Install the plug if you wish to close it off, to only capture cold air from the factory inlet.

Without the plug installed, the aFe POWER intake will capture the maximum air available. More airflow offers more power. Some of this air is picked up from inside the engine compartment and could be warmer air, which will affect the performance of the vehicle.

With the plug installed on the housing, it will block off any hot engine air entering the housing to make sure only the coolest air available is directed into the engine. The plug will also reduce the noise of the intake.





**Figure J**

**Refer to Figure J for Step 15**

Step 15: Install the aFe POWER housing into the vehicle by lining it up to the four (4) factory mounts, then firmly pushing on them.



Figure K

**Refer to Figure K for Step 16**

Step 16: Reconnect the crankcase breather line to the quick-disconnect fitting on the aFe POWER intake tube.





**Figure L**

**Refer to Figure L for Steps 17-18**

Step 17: Install the aFe POWER tube between the throttle body and the air filter. Align the tube, then tighten all clamps.

Step 18: Reconnect the temperature sensor harness to the temperature sensor.

**Figure M****Refer to Figure M for Step 19**

Step 19: Make sure all components and connections are secure. Your installation is now complete. Thank you for choosing aFe POWER!

**Note: Check all bolts, clamps, and connectors after 100-200 miles.**





**Page left blank intentionally.**



**Page left blank intentionally.**





**Page left blank intentionally.**



***advanced FLOW engineering, inc.***

Corona, CA 92879

<https://afepower.com/contact>