



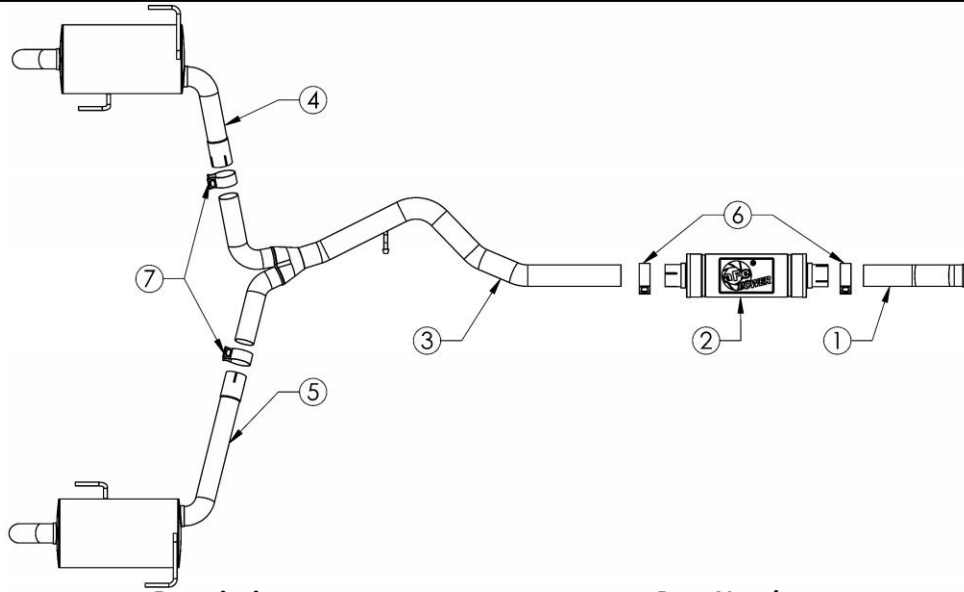
INSTALLATION INSTRUCTIONS

Cat-Back Exhaust

MAKE: Subaru
MODEL: Outback
YEAR: 2020-2023
ENGINE: H4-2.4L (t)

49-36805

NOTE: Does not fit models with the H4-2.5L engine.



Item	Description	Part Number	Quantity
1	Front Pipe	05-245421	1
2	Resonator Assembly	05-245425	1
3	Y-Pipe	05-245422	1
4	Driver Side Tail Pipe	05-245423	1
5	Passenger Side Tail Pipe	05-245424	1
6	Clamp, Band: 2-1/2"	05-41061	2
7	Clamp, Band: 2-1/4"	05-41210	2

aFe POWER recommends professional installation on this product. Thoroughly inspect the aFe POWER exhaust system to make sure there is no damage from shipping (if damage is noted, immediately contact aFe POWER customer service). Allow time for your vehicle to cool down prior to installation. When working on your vehicle proceed with caution. Wear protective safety equipment; eye goggles and gloves to ensure a safe installation.

Install band clamps to proper torque specifications of 40-45 ft-lb.

Install V-band clamps with anti-seize lubricant and hand tighten only to torque specifications of 10-15 ft-lb.





INSTALLATION INSTRUCTIONS

Cat-Back Exhaust

49-36805

MAKE: Subaru
MODEL: Outback
YEAR: 2020-2023
ENGINE: H4-2.4L (t)

NOTE: Does not fit models with the H4-2.5L engine.

1. **(Read instructions prior to installation.)** It is recommended to not fully tighten the exhaust until it has been fully installed. Leave loose for adjustability.
2. Secure vehicle on jack stands (refer to your manual for specified jack stand positions).
3. For faster installation, spread out the parts of the exhaust alongside your vehicle as shown in the diagram above.
4. Secure the stock exhaust with jack/stands.
5. Remove the (x2) Spring bolts and nuts securing the O.E. Front Pipe to the Catalytic Converter. Retain Hardware for Installation.
6. Remove O.E. Passenger Side and Driver Side Muffler Sections by sliding off the Rubber Isolation Mounts.
7. Remove Hanger from Rubber Isolation Mount in the O.E. Mid-Pipe Section.
8. Remove O.E. Exhaust from vehicle.
9. Using the O.E. (x2) spring bolts and nuts that were removed, install the Takeda Front Pipe.
10. Slide Takeda Front Pipe into Takeda Resonator Assembly and secure with provided 2.5" band clamp
11. Slide Takeda Y-Pipe into Takeda Resonator Assembly and secure with provided 2.5" band clamp. Install hanger into Rubber Isolator Mount.
12. Slide Takeda Driver Side Muffler Assembly into Takeda Y-Pipe and secure with provided 2-1/4" Band Clamp. Slide Hangers into O.E. Rubber Mount Isolators.
13. Slide Takeda Passenger Side Muffler Assembly into Takeda Y-Pipe and secure with provided 2-1/4" Band Clamp. Slide Hangers into O.E. Rubber Mount Isolators.
14. Ensure that all the components of the TAKEDA exhaust system are aligned and are at a safe clearance from all wires, hoses, brake lines, body parts, and tires.
15. Start from the front of the aFe exhaust system and evenly tighten all clamps and fasteners.
16. Start the vehicle and check for any leaks. If any leaks are found, determine cause and repair as necessary.
17. Remove vehicle from jacks stands.
18. It is recommended to re-tighten all clamps and hardware after 50-100 miles.