

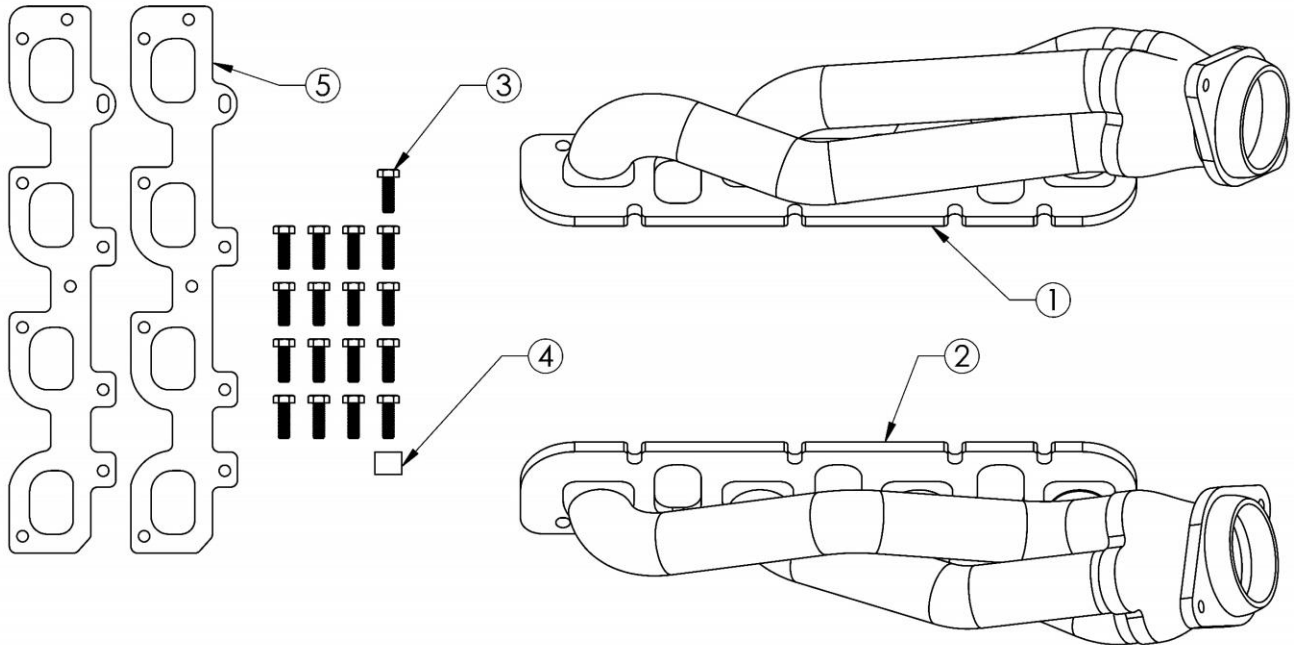


INSTALLATION INSTRUCTIONS

Shorty Headers

MAKE: Jeep
MODEL: Trackhawk
YEAR: 2019-2021
ENGINE: V8-6.2L (sc)

48-38032
 48-38032-T



EMISSIONS DISCLAIMER
 This product is not currently CARB exempt and is not available for purchase in California or for use on any vehicle registered with the California Department of Motor Vehicles.

<i>Item</i>	<i>Description</i>	<i>Part Number</i>	<i>Quantity</i>
1	Left Header	05-245404	1
1	Left Header (Titanium Ceramic Coat)	05-245404T	1
2	Right Header	05-245405	1
2	Right Header (Titanium Ceramic Coat)	05-245405T	1
3	Bolt, M8 x 1.25 x 25mm	03-50442	17
4	Spacer, 3/4"OD x 5/16"ID x 5/8" L	05-46094	1
5	Gasket, Header	05-46111	2

aFe POWER recommends professional installation on this product. Thoroughly inspect the aFe POWER exhaust system to make sure there is no damage from shipping (if damage is noted, immediately contact aFe POWER customer service). Allow time for your vehicle to cool down prior to installation. When working on your vehicle proceed with caution. Wear protective safety equipment; eye goggles and gloves to ensure a safe installation.

Install band clamps to proper torque specifications of 40-45 ft-lb.

Install V-band clamps with anti-seize lubricant and hand tighten only to torque specifications of 10-15 ft-lb.



INSTALLATION INSTRUCTIONS

MAKE: Jeep
MODEL: Trackhawk
YEAR: 2019-2021
ENGINE: V8-6.2L (sc)

Shorty Headers

48-38032

48-38032-T

1. **(Read instructions prior to installation.)** It is recommended to not fully tighten the exhaust until it has been fully installed. Leave loose for adjustability.
2. Secure vehicle on jack stands (refer to your manual for specified jack stand positions).
3. For faster installation, spread out the parts of the exhaust alongside your vehicle as shown in the diagram above.
4. Secure the stock exhaust with jack/stands.
5. Disconnect the negative battery cable.
6. Remove the engine cover.
7. Unplug the O2 Sensors.
8. Unbolt the right and left Catalytic Converter pipes from the O.E. Exhaust Manifolds and remove. Retain Hardware for Re-Installation.
9. Remove the nuts on the O.E. Left-Side manifold heat shield and remove the heat shield.
10. Remove the (8) bolts on the O.E. Left-side Exhaust Manifold and remove the exhaust manifold and gasket. Remove nut and bolt securing the dipstick tube and remove from vehicle.
11. Install the Left-Side aFe POWER header onto the cylinder head using the supplied gasket, M8 bolts, and spacer provided for the dip stick. Tighten the bolts to the manufacture's specifications, starting from the center and working to the outside bolts
12. Remove the nuts on the O.E. Right Side Exhaust Manifold heat shield and remove the heat shield.
13. Remove the (8) bolts on the O.E. Right Side Exhaust Manifold and remove the exhaust manifold and gasket.
14. Install the Right Side aFe POWER header onto the cylinder head using the supplied gasket, M8 bolts. Tighten the bolts to the manufacture's specifications, starting from the center and working to the outside bolts.
15. Reinstall the right and left catalytic pipes using the O.E. Hardware.
16. Plug in the O2 Sensors.
17. Reinstall the Engine Cover.
18. Reconnect the battery.
19. Ensure that all the components of the aFe POWER exhaust system are aligned and are at a safe clearance from all wires, hoses, brake lines, body parts, and tires.
20. Start from the front of the aFe exhaust system and evenly tighten all clamps and fasteners.
21. Start the vehicle and check for any leaks. If any leaks are found, determine cause and repair as necessary.
22. Remove vehicle from jacks stands.
23. It is recommended to re-tighten all clamps and hardware after 50-100 miles.