

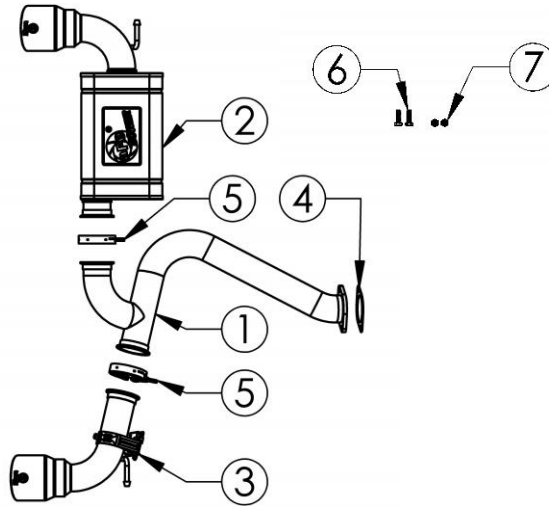


INSTALLATION INSTRUCTIONS

Cat-Back Exhaust

MAKE: Hyundai
MODEL: Kona N
YEAR: 2022-2023
ENGINE: L4-2.0(t)

49-37032-B
49-37032-P



Item	Description	Part Number	Quantity
1	Connection Pipe	05-245323	1
2	Muffler Assembly	05-245325	1
3	Passenger Side Tailpipe	05-245324	1
4	Gasket	05-46400	1
5	Clamp, V-Band: (2-2/3" – 3")	05-41588	2
6	M10 x 1.5 x 35 Hex Head Cap Bolt	03-50452	2
7	M10 x 1.5 Flanged Nut	03-50189	2

aFe POWER recommends professional installation on this product. Thoroughly inspect the aFe POWER exhaust system to make sure there is no damage from shipping (if damage is noted, immediately contact aFe POWER customer service). Allow time for your vehicle to cool down prior to installation. When working on your vehicle proceed with caution. Wear protective safety equipment; eye goggles and gloves to ensure a safe installation.

Install band clamps to proper torque specifications of 40-45 ft-lb.

Install V-band clamps with anti-seize lubricant and hand tighten only to torque specifications of 10-15 ft-lb.





INSTALLATION INSTRUCTIONS

Cat-Back Exhaust

MAKE: Hyundai
MODEL: Kona N
YEAR: 2022-2023
ENGINE: L4-2.0(t)

49-37032-B
49-37032-P

1. **(Read instructions prior to installation.)** It is recommended to not fully tighten the exhaust until it has been fully installed. Leave loose for adjustability.
2. Secure vehicle on jack stands (refer to your manual for specified jack stand positions).
3. For faster installation, spread out the parts of the exhaust alongside your vehicle as shown in the diagram above.
4. Secure the stock exhaust with jack/stands.
5. Unplug the valve motor connector and put to the side as not to damage the connector.
6. Loosen the (x2) nuts securing the O.E. Muffler Assembly to the O.E. Mid-Pipe.
7. Remove (x3) hangers from Rubber Isolation Mount on the O.E. Muffler Assembly and remove the O.E. Muffler Assembly from the vehicle.
8. Remove the (x3) nuts to remove the O.E. Valve Motor off the O.E. Muffler assembly.
9. Install the O.E. Valve Motor onto the assembled Takeda Passenger Side Tail Pipe assembly using the supplied hardware.
10. Assemble the Takeda Muffler Assembly, Takeda Passenger Side Tailpipe, & Takeda Connection Pipe outside of the vehicle using the supplied V-Band Clamps.
11. Install the Assembled Takeda Passenger Side Tailpipe, Takeda Muffler Assembly, & Takeda Connection Pipe using the provided gasket, (x2) Nuts, & (x2) Bolts. Install hangers into Rubber Isolator Mounts.
12. Plug in the Valve Motor Connector.
13. Ensure that all the components of the aFe POWER exhaust system are aligned and are at a safe clearance from all wires, hoses, brake lines, body parts, and tires.
14. Start from the front of the aFe exhaust system and evenly tighten all clamps and fasteners.
15. Start the vehicle and check for any leaks. If any leaks are found, determine cause and repair as necessary.
16. Remove vehicle from jacks stands.
17. It is recommended to re-tighten all clamps and hardware after 50-100 miles.