

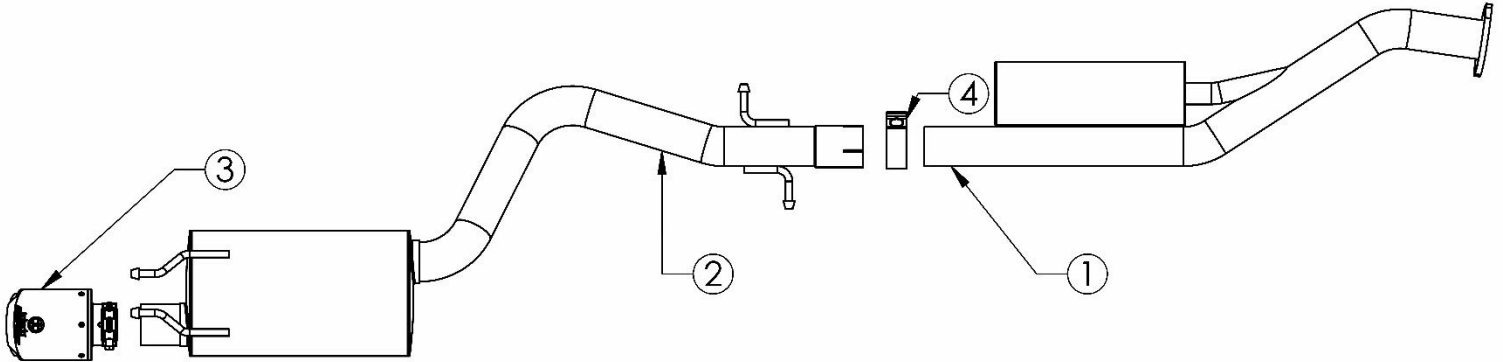


INSTALLATION INSTRUCTIONS

MAKE: Lexus
MODEL: IS300
YEAR: 2001-2005
ENGINE: L6-3.0L

Cat-Back Exhaust

49-36058-P
49-36058-B
49-36058-L
49-36058-C



Item	Description	Part Number	Quantity
1	Front Pipe	05-245351	1
2	Tail Pipe	05-245352	1
3	EXH Tip 2-1/2 In x 4-1/2 Out x 7L Bolt-On Pol	49T25454-P07	1
3	EXH Tip 2-1/2 In x 4-1/2 Out x 7L Bolt-On Blk	49T25454-B07	1
3	EXH Tip 2-1/2 In x 4-1/2 Out x 7L Bolt-On Blue	49T25454-L07	1
3	EXH Tip 2-1/2 In x 4-1/2 Out x 7L Bolt-On CF	49T25454-C07	1
4	Clamp, Band: 2-1/2"	05-41061	1

aFe POWER recommends professional installation on this product. Thoroughly inspect the aFe POWER exhaust system to make sure there is no damage from shipping (if damage is noted, immediately contact aFe POWER customer service). Allow time for your vehicle to cool down prior to installation. When working on your vehicle proceed with caution. Wear protective safety equipment; eye goggles and gloves to ensure a safe installation.

Install band clamps to proper torque specifications of 40-45 ft-lb.

Install V-band clamps with anti-seize lubricant and hand tighten only to torque specifications of 10-15 ft-lb.





INSTALLATION INSTRUCTIONS

MAKE: Lexus
MODEL: IS300
YEAR: 2001-2005
ENGINE: L6-3.0L

Cat-Back Exhaust

49-36058-P

49-36058-B

49-36058-L

49-36058-C

-
1. **(Read instructions prior to installation.)** It is recommended to not fully tighten the exhaust until it has been fully installed. Leave loose for adjustability.
 2. Secure vehicle on jack stands (refer to your manual for specified jack stand positions).
 3. For faster installation, spread out the parts of the exhaust alongside your vehicle as shown in the diagram above.
 4. Secure the stock exhaust with jack/stands.
 5. Loosen the (x2) Nuts on the O.E. Catalytic Converter Flange.
 6. Slide the hangers holding the O.E. Muffler Assembly from the Rubber Isolator Mounts.
 7. Slide the hangers holding the O.E. Resonator from the Rubber Isolator Mounts.
 8. Remove the O.E. Exhaust from the vehicle. Retain the O.E. Hardware and Gasket.
 9. Install the TAKEDA Front Pipe using the O.E. Hardware and Gasket.
 10. Slide the TAKEDA Tail Pipe into the TAKEDA Front Pipe and secure with the provided 2.5" Band Clamp. Install hangers into Rubber Isolator Mounts.
 11. Install TAKEDA Exhaust Tip.
 12. Ensure that all the components of the TAKEDA exhaust system are aligned and are at a safe clearance from all wires, hoses, brake lines, body parts, and tires.
 13. Start from the front of the TAKEDA exhaust system and evenly tighten all clamps and fasteners.
 14. Start the vehicle and check for any leaks. If any leaks are found, determine cause and repair as necessary.
 15. Remove vehicle from jacks stands.
 16. It is recommended to re-tighten all clamps and hardware after 50-100 miles.