

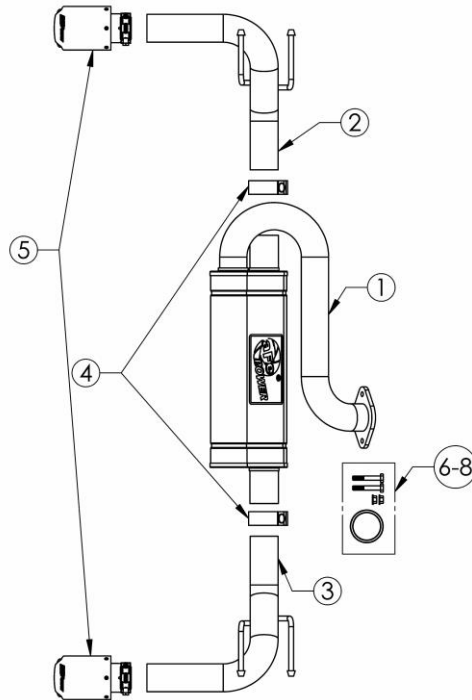


# INSTALLATION INSTRUCTIONS

## Axle-Back Exhaust

**MAKE:** Mazda  
**MODEL:** 3  
**YEAR:** 2019-2023  
**ENGINE:** L4-2.5L/L4-2.5L(t)

49-37023-P  
 49-37023-B  
 49-37023-L  
 49-37023-C



Item	Description	Part Number	Quantity
1	Muffler Assembly	05-245234	1
2	Driver Side Tail Pipe	05-245236	1
3	Passenger Side Tail Pipe	05-245235	1
4	Clamp, Band: 2-1/2"	05-41061	2
5	EXH Tip 2-1/2 In x 4 Out x 7L Bolt-On Blk	49T25404-B061	2
5	EXH Tip 2-1/2 In x 4 Out x 7L Bolt-On CF	49T25404-C07	2
5	EXH Tip 2-1/2 In x 4 Out x 7L Bolt-On Blue	49T25404-L07	2
5	EXH Tip 2-1/2 In x 4 Out x 7 Bolt-On Pol	49T25404-P061	2
6	M10 Flange Hd Cap Screw	03-50493	2
7	M10 Flange Nut	03-50189	2
8	Gasket	05-46420	1

aFe POWER recommends professional installation on this product. Thoroughly inspect the aFe POWER exhaust system to make sure there is no damage from shipping (if damage is noted, immediately contact aFe POWER customer service). Allow time for your vehicle to cool down prior to installation. When working on your vehicle proceed with caution. Wear protective safety equipment; eye goggles and gloves to ensure a safe installation.

Install band clamps to proper torque specifications of 40-45 ft-lb.

Install V-band clamps with anti-seize lubricant and hand tighten only to torque specifications of 10-15 ft-lb.





## INSTALLATION INSTRUCTIONS

**MAKE:** Mazda  
**MODEL:** 3  
**YEAR:** 2019-2022  
**ENGINE:** L4-2.5L/L4-2.5L(t)

## Axle-Back Exhaust

49-37023-P  
49-37023-B  
49-37023-L  
49-37023-C

1. **(Read instructions prior to installation.)** It is recommended to not fully tighten the exhaust until it has been fully installed. Leave loose for adjustability.
2. Secure vehicle on jack stands (refer to your manual for specified jack stand positions).
3. For faster installation, spread out the parts of the exhaust alongside your vehicle as shown in the diagram above.
4. Secure the stock exhaust with jack/stands.
5. Remove the (x2) O.E. nuts and bolts from the O.E. Axle Back.
6. Remove Hangers from Rubber Mount Isolators in the rear section of the O.E. Exhaust. Remove O.E. Axle Back from vehicle.
7. Install Takeda Muffler Assembly using the provided Gasket and Hardware.
8. Slide Takeda Driver Side Tail Pipe into the Takeda Muffler Assembly and secure with provided 2-1/2" Band Clamp. Install Hangers into O.E. Rubber Mount Isolators.
9. Slide Takeda Passenger Side Tail Pipe into the Takeda Muffler Assembly and secure with provided 2-1/2" Band Clamp. Install Hangers into O.E. Rubber Mount Isolators.
10. Install Takeda Exhaust Tips.
11. Ensure that all the components of the aFe POWER exhaust system are aligned and are at a safe clearance from all wires, hoses, brake lines, body parts, and tires.
12. Start from the front of the aFe exhaust system and evenly tighten all clamps and fasteners.
13. Start the vehicle and check for any leaks. If any leaks are found, determine cause and repair as necessary.
14. Remove vehicle from jacks stands.
15. It is recommended to re-tighten all clamps and hardware after 50-100 miles.