

## ***advanced FLOW engineering***

Dynamic Air Scoop D.A.S.

### **Instruction Manual P/N: 52-10010S**

---

Make: FORD	Model: F-150	Year: 2021-2022	Engine: V6-2.7L(tt)
Make: FORD	Model: F-150	Year: 2021-2021	Engine: V6-3.0L(td)
Make: FORD	Model: F-150	Year: 2021-2022	Engine: V6-3.3L
Make: FORD	Model: F-150	Year: 2021-2022	Engine: V6-3.5L(tt)
<b>(Does not fit F-150 Equipped with the V6-3.5L(tt) PowerBoost™)</b>			
Make: FORD	Model: F-150	Year: 2021-2022	Engine: V8-5.0L



- Please read the entire instruction manual before proceeding.
- Ensure all components listed are present.
- If you are missing any of the components, call customer support at 951-493-7185.
- Ensure you have all necessary tools before proceeding.
- Do not attempt to work on your vehicle when the engine is hot.
- Retain factory parts for future use.

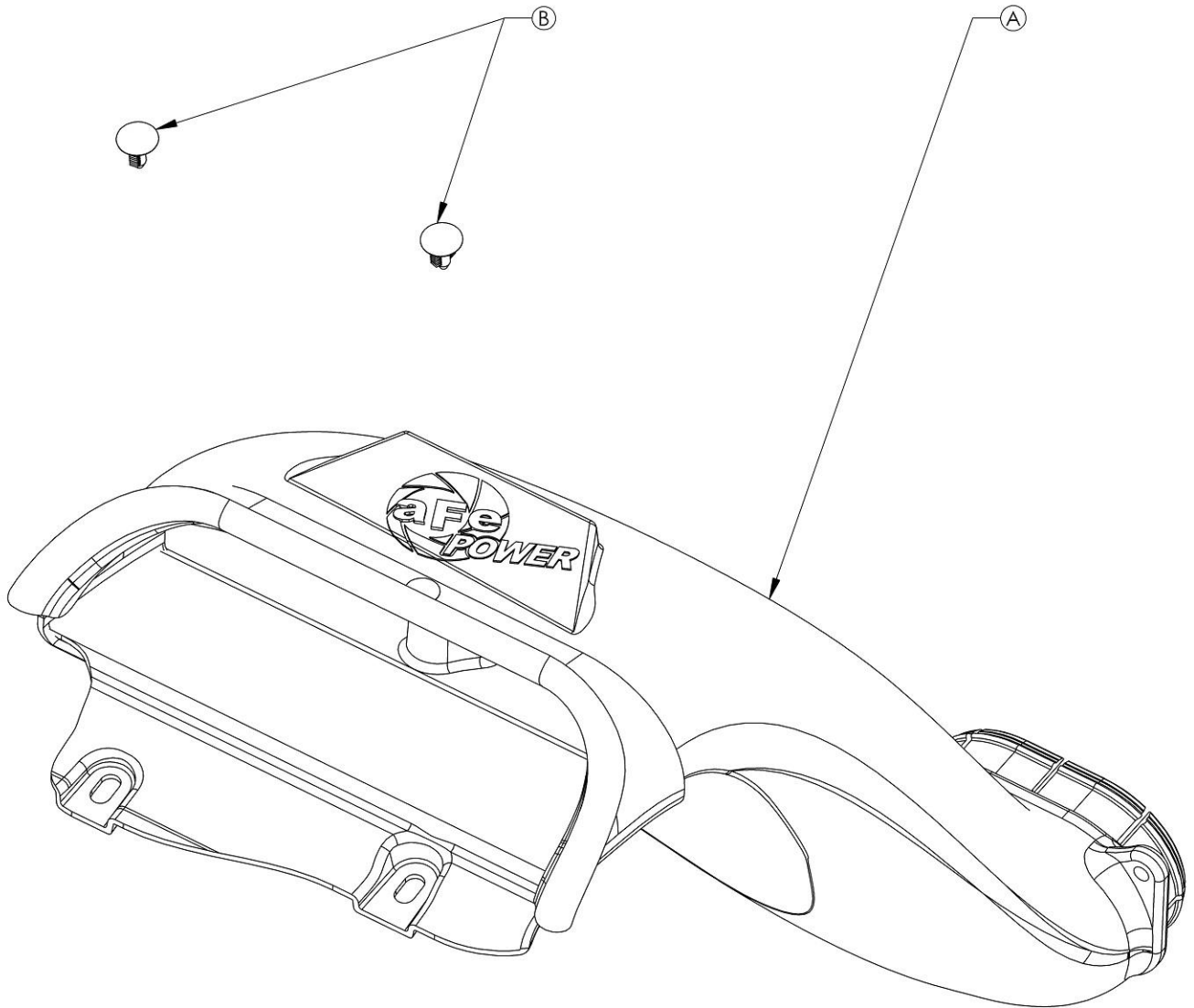
Label	Qty.	Description	Part Number
A	1	Scoop, Plastic (Black)	05-5210010B3
B	2	Retainer Clip, Christmas Tree Style	03-50773

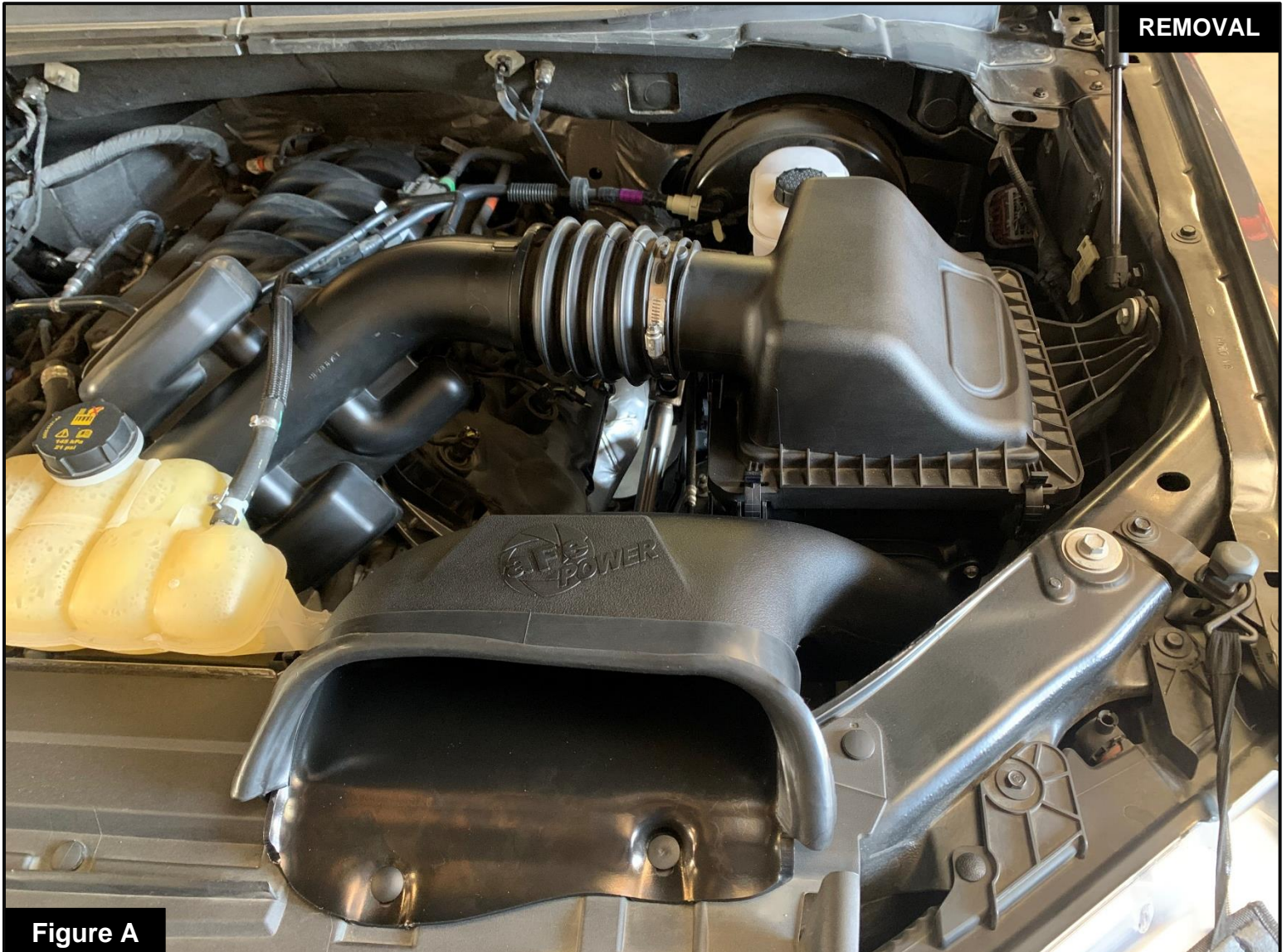
**Installation will require the following tools:**

8mm, 13mm nut driver or socket and extension, Flat screwdriver.

Warranty Information available at <https://afepower.com/contact#warranty>

**Emissions Disclaimer:** This product is not currently CARB exempt and is not available for purchase in California or for use on any vehicle registered with the California Department of Motor Vehicles.





**Figure A**

**Refer to Figure A for Step 1**

This aFe POWER scoop is designed to work with the aFe POWER Quantum air intake kits, the aFe POWER Rapid Induction air intake kits, and the factory air intake system.

**NOTE: This scoop does NOT fit aFe POWER Momentum intake systems.**

Step 1: Remove the aFe POWER or factory intake from the vehicle.





Figure B

**Refer to Figure B for Step 2**

Step 2: Remove the screw securing the scoop to the factory housing then pull the scoop out of the housing.



Figure C

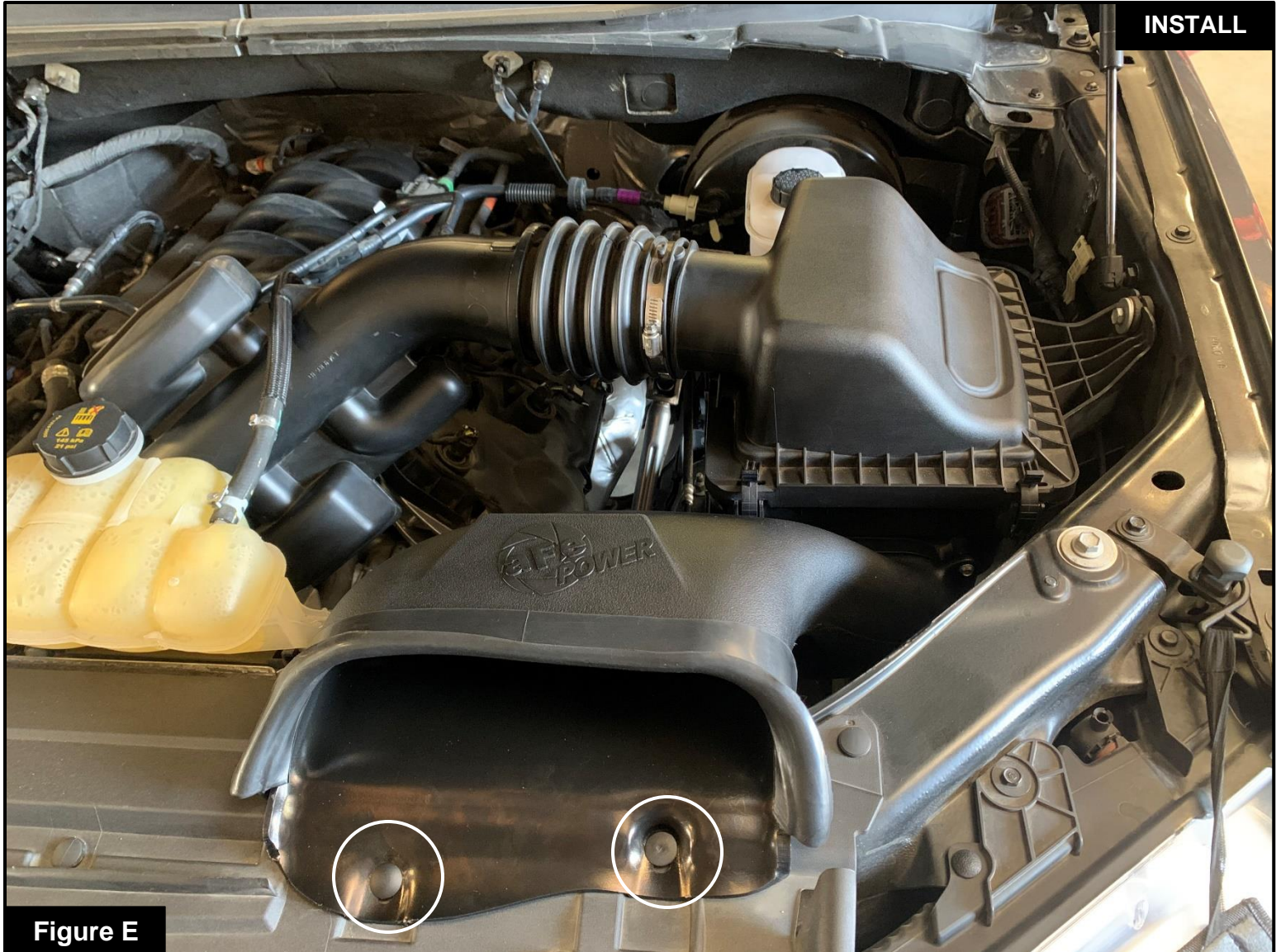
**Refer to Figure C for Step 3**

Step 3: For installation on the factory housing, press the aFe POWER scoop into the factory housing and secure it using the factory screw.



**Figure D****Refer to Figure D for Step 4**

Step 4: For the installation on the Quantum housing, push the aFe POWER scoop into the Quantum housing then secure it with the M6 screw and washer that was provided with the aFe POWER Quantum intake kit.



**Figure E**

**Refer to Figure E for Steps 5-6**

Step 5: Reinstall the housing and scoop assembly into the vehicle. Secure the scoop using the provided plastic rivets.

Step 6: The installation of the aFe POWER scoop is complete. Finish installing the rest of the air intake system. Thanks for choosing aFe POWER.





**PAGE LEFT BLANK INTENTIONALLY**



**PAGE LEFT BLANK INTENTIONALLY**



***advanced FLOW engineering, Inc.***

252 Granite Street Corona, CA 92879

<https://afepower.com/contact>