

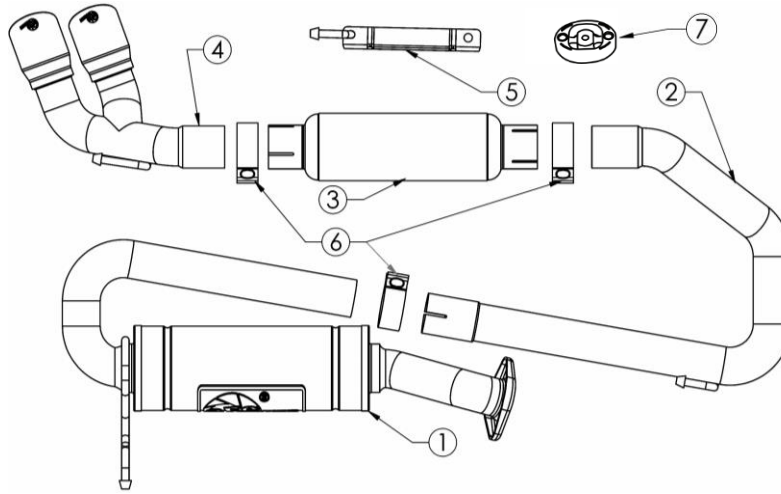


INSTALLATION INSTRUCTIONS

Cat-Back Exhaust

MAKE: Suzuki
 MODEL: Jimny
 YEAR: 2018-2022
 ENGINE: L4-1.5L

49-37020-P
 49-37020-B



Item	Description	Part Number	Quantity
1	Muffler Assembly	05-245213	1
2	Mid-Pipe	05-245214	1
3	Resonator, 2.25" In/Out 3.5" x 16"	R49M10009	1
4	Tail Pipe	05-245215	1
4	Tail Pipe Black	05-245215-B	1
5	Hanger Bracket	05-410525	1
6	Clamp, Band: 2-1/4"	05-41210	3
7	Exhaust Isolation Mount	05-46054	1

aFe POWER recommends professional installation on this product. Thoroughly inspect the aFe POWER exhaust system to make sure there is no damage from shipping (if damage is noted, immediately contact aFe POWER customer service). Allow time for your vehicle to cool down prior to installation. When working on your vehicle proceed with caution. Wear protective safety equipment; eye goggles and gloves to ensure a safe installation.

Install band clamps to proper torque specifications of 40-45 ft-lb.





INSTALLATION INSTRUCTIONS

MAKE: Suzuki
MODEL: Jimny
YEAR: 2018-2022
ENGINE: L4-1.5L

Cat-Back Exhaust

49-37020-P
49-37020-B

1. **(Read instructions prior to installation.)** It is recommended to not fully tighten the exhaust until it has been fully installed. Leave loose for adjustability.
2. Secure vehicle on jack stands (refer to your manual for specified jack stand positions).
3. For faster installation, spread out the parts of the exhaust alongside your vehicle as shown in the diagram above.
4. Secure the stock exhaust with jack/stands.
5. Loosen the Bolts on the O.E. Over-Axle Flange, and the bolts on the O.E. Front Pipe Flange.
6. Slide the two rear hangers from the Rubber Isolator Mounts holding the O.E. Muffler. Remove the O.E. Rear Muffler.
7. Slide the front hanger from the Rubber Isolator Mount. Remove the O.E. Front Pipe. Remove the O.E. Front Rubber Isolator Mount.
8. Remove O.E. Body Mount Nut shown in the image above and install aFe Power Hanger Bracket. Slide O.E. Front Rubber Isolator Mount onto aFe Power Hanger Bracket.
9. Install provided three-hole Exhaust Isolation Mount, replacing the front O.E. Rubber Isolator mount. The Hanger on the chassis of the car goes to the top hole, and the catalytic converter hanger goes to the middle hole.
10. Install aFe Power Muffler Assembly using O.E. hardware and gasket. Install Hanger into O.E. Rubber Isolator Mount.
11. Slide aFe Power Mid-Pipe into the aFe Power Muffler Assembly and secure with provided 2-1/4" Band clamp. Install hanger into Exhaust Isolation Mount.
12. Slide aFe Power Resonator into the aFe Power Mid-Pipe and secure with provided 2-1/4" Band clamp.
13. Slide aFe Power Tail Pipe into the aFe Power Resonator and secure with provided 2-1/4" Band Clamp. Install hanger into Rubber Isolator Mount.
14. Ensure that all the components of the aFe POWER exhaust system are aligned and are at a safe clearance from all wires, hoses, brake lines, body parts, and tires.
15. Start from the front of the aFe exhaust system and evenly tighten all clamps and fasteners.
16. Start the vehicle and check for any leaks. If any leaks are found, determine cause and repair as necessary.
17. Remove vehicle from jacks stands.
18. It is recommended to re-tighten all clamps and hardware after 50-100 miles.