



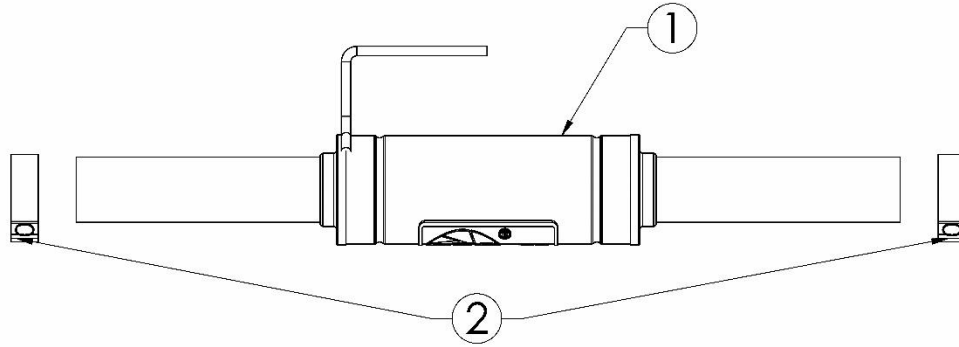
INSTALLATION INSTRUCTIONS

Muffler Upgrade

49C38097

MAKE: Jeep
MODEL: Gladiator
YEAR: 2020-2021
ENGINE: V6-3.6L

NOTE: Only works with 49-48083-B/P, 49-48081, & 49-38084-B/P

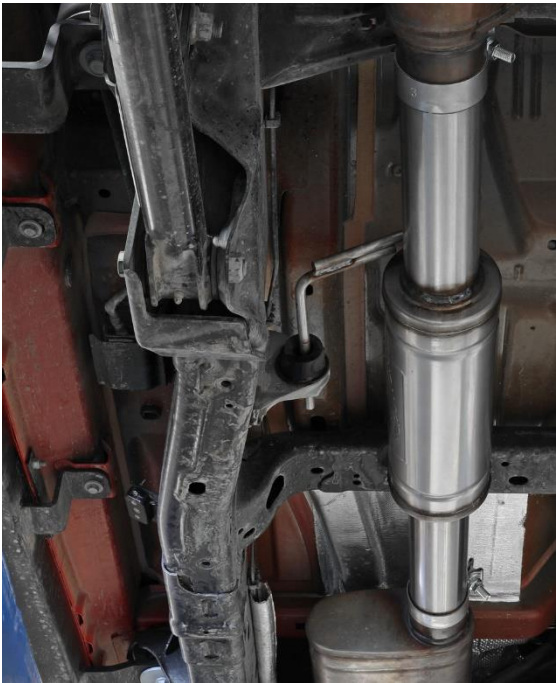


Item	Description	Part Number	Quantity
1	Muffler Upgrade	05-245121	1
2	Clamp, Band: 3"	05-41055	2

aFe POWER recommends professional installation on this product. Thoroughly inspect the aFe POWER exhaust system to make sure there is no damage from shipping (if damage is noted, immediately contact aFe POWER customer service). Allow time for your vehicle to cool down prior to installation. When working on your vehicle proceed with caution. Wear protective safety equipment; eye goggles and gloves to ensure a safe installation.

Install band clamps to proper torque specifications of 40-45 ft-lb.

Install V-band clamps with anti-seize lubricant and hand tighten only to torque specifications of 10-15 ft-lb.





INSTALLATION INSTRUCTIONS

Muffler Upgrade

49C38097

MAKE: Jeep
MODEL: Gladiator
YEAR: 2020-2021
ENGINE: V6-3.6L

NOTE: Only works with 49-48083-B/P, 49-48081, & 49-38084-B/P

1. **(Read instructions prior to installation.)** It is recommended to not fully tighten the exhaust until it has been fully installed. Leave loose for adjustability.
2. Secure vehicle on jack stands (refer to your manual for specified jack stand positions).
3. For faster installation, spread out the parts of the exhaust alongside your vehicle as shown in the diagram above.
4. Secure the stock exhaust with jack/stands.
5. Untighten the clamps around aFe Power Mid-Pipe (05-145732 for 49-38084-B/P or 05-144732 for 49-48081 and 49-48083-B/P).
6. Remove aFe Power Mid-Pipe from O.E. hanger mount.
7. Install aFe Power Muffler Upgrade with provided 3" band clamps onto aFe Power Muffler and aFe Power Rear Muffler Assembly. Then slide the hanger into the O.E. hanger mount.
8. Ensure that all the components of the aFe POWER exhaust system are aligned and are at a safe clearance from all wires, hoses, brake lines, body parts, and tires.
9. Start from the front of the aFe exhaust system and evenly tighten all clamps and fasteners.
10. Start the vehicle and check for any leaks. If any leaks are found, determine cause and repair as necessary.
11. Remove vehicle from jacks stands.
12. It is recommended to re-tighten all clamps and hardware after 50-100 miles.