



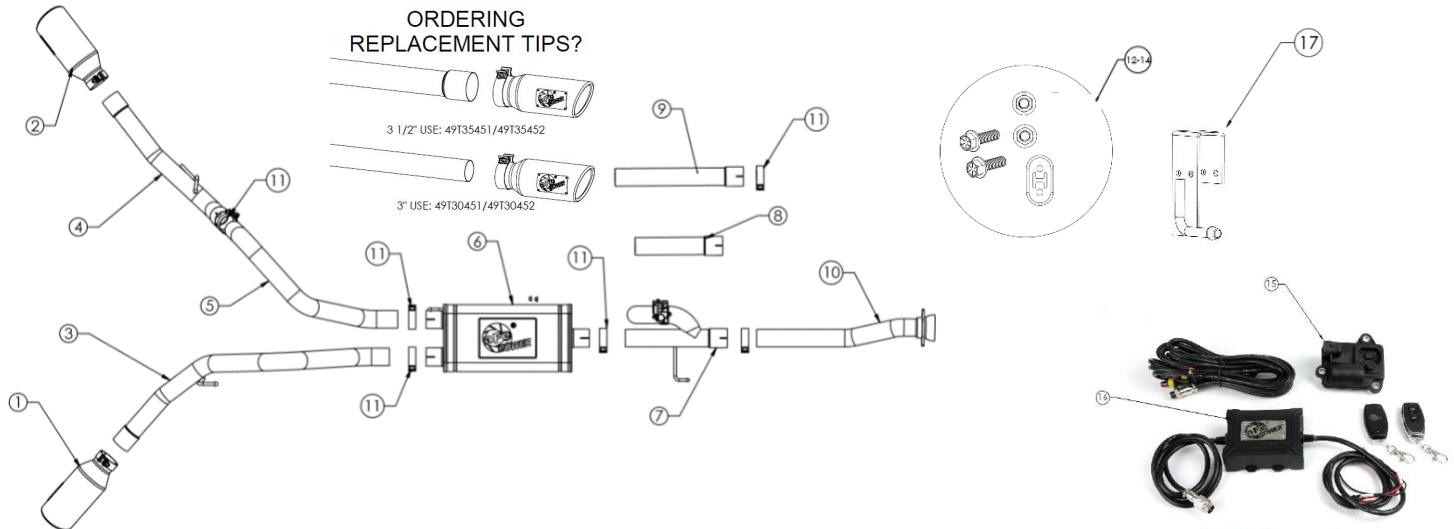
INSTALLATION INSTRUCTIONS

Cat-Back Exhaust

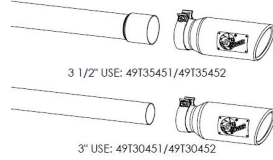
MAKE: Ford
MODEL: F-150
YEAR: 2021-2023
ENGINE: V6-2.7L(tt)/3.5L(tt)/V8-5L

49-33129-B
 49-33129-P

NOTE: Fits CC/SB (145" WB), CC/LB (156.8" WB),
 EC/SB (145" WB), and EC/LB (163.7" WB)



ORDERING REPLACEMENT TIPS?



Item	Description	Part Number	Quantity
1	EXH Tip 3-1/2 In x 4-1/2 Out x 12L Blk	49T30451-B12	1
1	EXH Tip 3-1/2 In x 4-1/2 Out x 12L Pol	49T30451-P12	1
2	EXH Tip 3-1/2 In x 4-1/2 Out x 12L Blk	49T30452-B12	1
2	EXH Tip 3-1/2 In x 4-1/2 Out x 12L Pol	49T30452-P12	1
3	Right Tail-Pipe: 3" Dia. x 61"L	05-245085	1
4	Left Tail-Pipe	05-245087	1
5	Left Over-Axle	05-245086	1
6	Muffler Assembly: 3" Dia.	05-245084	1
7	EXH Cutout Assembly	05-245078	1
8	Extension Tube #1	05-245082	1
9	Extension Tube #2	05-245083	1
10	Front Pipe Assembly	05-244118	1
11	Clamp, Band: 3"	05-41055	6
12	Exhaust Isolation Mount	05-46050	1
13	Nut, Hex Flange, 5/16"-18	03-50373	2
14	Screw, 5/16"-18 Thread x 3-1/4" Long	03-50461	2
15	Motor, Exhaust Valve: 12 Volt	05-70042	1
16	Controller, Exhaust Valve Normal	05-70041	1
17	Hanger Bracket	05-46143	1

aFe POWER recommends professional installation on this product. Thoroughly inspect the aFe POWER exhaust system to make sure there is no damage from shipping (if damage is noted, immediately contact aFe POWER customer service). Allow time for your vehicle to cool down prior to installation. When working on your vehicle proceed with caution. Wear protective safety equipment; eye goggles and gloves to ensure a safe installation.

Install band clamps to proper torque specifications of 40-45 ft-lb.



INSTALLATION INSTRUCTIONS

Cat-Back Exhaust

MAKE: Ford
MODEL: F-150
YEAR: 2021-2022
ENGINE: V6-2.7L(tt)/3.5L(tt)/V8-5L

49-33129-B
49-33129-P

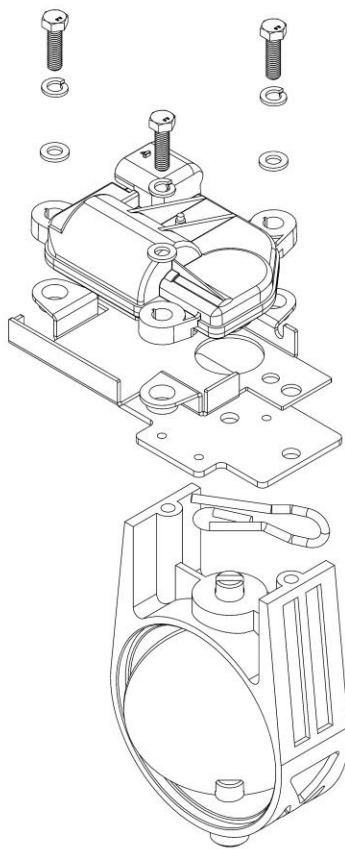
NOTE: Fits CC/SB (145" WB), CC/LB (156.8" WB), EC/SB (145" WB), and EC/LB (163.7" WB)

1. **(Read instructions prior to installation.)** It is recommended to not fully tighten the exhaust until it has been fully installed. Leave loose for adjustability.
2. Secure vehicle on jack stands (refer to your manual for specified jack stand positions).
3. For faster installation, spread out the parts of the exhaust alongside your vehicle as shown in the diagram above.
4. Secure the stock exhaust with jack/stands.

Note: Use table for guide on extension pipes

Cab Configuration	Bed Configuration	Wheelbase	Extension Pipe?
Crew Cab	Short Bed	145"	NO
Crew Cab	Long Bed	156.8"	YES (15" Extension Pipe)
Extended Cab	Short Bed	145"	NO
Extended Cab	Long Bed	163.7"	YES (22" Extension Pipe)

5. Remove the stock exhaust. Take caution not to damage the factory front flange, bolts, and isolation mounts.
6. Install the provided x1 Motor to the valve motor mount using the provided (x3) bolts and spring clip. **Refer to FIG 1 Below**



1



INSTALLATION INSTRUCTIONS

Cat-Back Exhaust

MAKE: Ford
MODEL: F-150
YEAR: 2021-2022
ENGINE: V6-2.7L(tt)/3.5L(tt)/V8-5L

49-33129-B

49-33129-P

NOTE: Fits CC/SB (145" WB), CC/LB (156.8" WB), EC/SB (145" WB), and EC/LB (163.7" WB)

7. Insert and install the front pipe, cutout assembly, and extension tube (if necessary) on to the muffler assembly using the OE flange bolts and nuts.
8. Slide the rear hanger of the muffler assembly into the isolation mount first. Push all the way back until you have the clearance to slide the muffler assembly in place.
9. Install the Right Passenger Side Tailpipe first, but do not fully tighten.
10. Next Install the Over-Axle, but do not fully tighten.

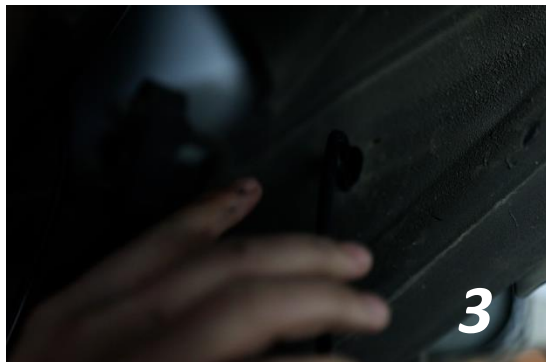
11. Install the hanger bracket included with the kit. As Shown in **FIG 2**. Fully tighten the hanger bracket to the frame using the correct hardware provided.



12. Install the Left Tailpipe, but do not fully tighten.
13. Install both tips onto the tailpipes and adjust the tips to your desired position. Do not fully tighten.
14. Position the entire exhaust, tailpipes, and tips. Start fully tightening all clamps from the front flange working your way to the rear tailpipes.
15. If needed, zip ties are included with your kit to create addition clearance for the Left Tail Pipe axle breather & brake hoses

Note: You will need at least 1.5" of clearance from your spare tire and the left side of the exhaust. If you need addition clearance loosen your spare tire and move it away from the exhaust until you have the required clearance, then tighten spare tire back up

16. Connect the wire harness to the motor on the EXH cutout assembly. Run the remaining wire harness inside the frame towards the engine compartment and exit behind the front passenger tire as shown in **FIG 3 & FIG 4**. Secure using the provided zip ties.





INSTALLATION INSTRUCTIONS

Cat-Back Exhaust

MAKE: Ford
MODEL: F-150
YEAR: 2021-2022
ENGINE: V6-2.7L(tt)/3.5L(tt)/V8-5L

49-33129-B

49-33129-P

**NOTE: Fits CC/SB (145" WB), CC/LB (156.8" WB),
EC/SB (145" WB), and EC/LB (163.7" WB)**

17. In the engine compartment, zip tie the control box along the wire harness next to the battery. Run the wire ring terminals to the battery and run the rest of the wire down the back of the firewall to meet the rest of the wire harness. Use provided zip ties to secure the wire. **Refer to FIG 5 and FIG 6**



18. Connect the wire harness together and tuck the remaining wire into the frame. Organize any other loose wire and secure with remaining zip ties.
19. Ensure that all the components of the aFe POWER exhaust system are aligned and are at a safe clearance from all wires, hoses, brake lines, body parts, and tires.
20. Start from the front of the aFe POWER exhaust system and evenly tighten all clamps and fasteners.
21. Start the vehicle and check for any leaks. If any leaks are found, determine cause and repair as necessary.
22. Remove vehicle from jacks stands.
23. It is recommended to re-tighten all clamps and hardware after 50-100 miles.