

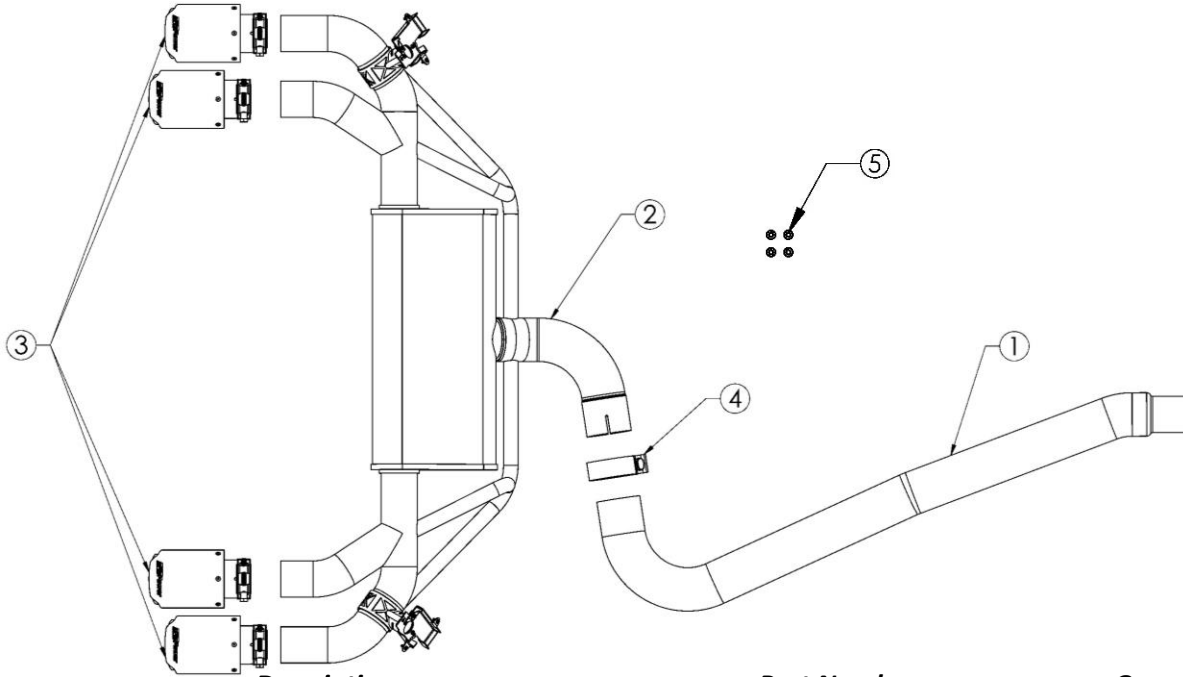


INSTALLATION INSTRUCTIONS

Cat-Back Exhaust

MAKE: Volkswagen
MODEL: Golf R
YEAR: 2015-2019
ENGINE: L4-2.0(t)

49-36430-B
 49-36430-C
 49-36430-L
 49-36430-P



Item	Description	Part Number	Quantity
1	Mid-Pipe	05-245142	1
2	Muffler Assembly	05-245143	1
3	EXH Tip 2-1/2 In x 4 Out x 7L Bolt-On Blk	49T25404-B06	4
3	EXH Tip 2-1/2 In x 4 Out x 7L Bolt-On CF	49T25404-C07	4
3	EXH Tip 2-1/2 In x 4 Out x 7L Bolt-On Blue	49T25404-L07	4
3	EXH Tip 2-1/2 In x 4 Out x 7 Bolt-On Pol	49T25404-P06	4
4	Clamp, Band: 3"	05-41055	1
5	Spacers	03-50211	4

aFe POWER recommends professional installation on this product. Thoroughly inspect the aFe POWER exhaust system to make sure there is no damage from shipping (if damage is noted, immediately contact aFe POWER customer service). Allow time for your vehicle to cool down prior to installation. When working on your vehicle proceed with caution. Wear protective safety equipment; eye goggles and gloves to ensure a safe installation.

Install band clamps to proper torque specifications of 40-45 ft-lb.





INSTALLATION INSTRUCTIONS

MAKE: Volkswagen
MODEL: Golf R
YEAR: 2015-2019
ENGINE: L4-2.0(t)

Cat-Back Exhaust

49-36430-B
49-36430-C
49-36430-L
49-36430-P

1. **(Read instructions prior to installation.)** It is recommended to not fully tighten the exhaust until it has been fully installed. Leave loose for adjustability.
2. Secure vehicle on jack stands (refer to your manual for specified jack stand positions).
3. For faster installation, spread out the parts of the exhaust alongside your vehicle as shown in the diagram above.
4. Secure the stock exhaust with jack/stands.
5. Loosen the 13mm (x4) nuts holding the center cross member.
6. Loosen the 13mm(x2) nuts on the sleeve clamp and slide the sleeve clamp towards the front of the car.
7. Locate the O.E. exhaust valves in the rear section of the car and disconnect the electrical connector from the motor.
8. Loosen (but not completely) the 13mm(x2) bolts on the passenger and driver side, rear muffler hanger mounting brackets.
9. Remove the hangers from the rubber mount isolators and remove the 13mm (x2) Bolts.
10. Carefully remove the exhaust.
11. With the exhaust on the ground remove the 8mm(x3) nuts holding the motor to the O.E Exhaust on both sides.
12. Install the motor onto the aFe Power Muffler Assembly, ensuring that the motor is oriented correctly on the bracket. (Note: The spring on the motor should line up with the spring slots)
13. Secure the motor to the bracket with the provided hardware.
14. Remove the exhaust rubber mount isolator assemblies (x2) on the rear muffler assembly of the O.E. exhaust.
15. Install the exhaust rubber mount isolator assemblies (x2) on both side of the aFe Power Muffler Assembly.
16. Install the aFe Power Muffler assembly securing the exhaust with the (x2) 13mm bolts.
17. Install the aFe Power Mid-pipe using the O.E. sleeve clamp and the provided 3" band clamp. Slide hangers into O.E rubber isolation mounts.
18. Reinstall the center cross member with 13mm (x4) nuts using the four spacers provided.
19. Reconnect the electrical connector to the motor.
20. Install your aFe power tips.
21. Ensure that all the components of the aFe POWER exhaust system are aligned and are at a safe clearance from all wires, hoses, brake lines, body parts, and tires.
22. Start from the front of the aFe exhaust system and evenly tighten all clamps and fasteners.
23. Start the vehicle and check for any leaks. If any leaks are found, determine cause and repair as necessary.
24. Remove vehicle from jacks stands.
25. It is recommended to re-tighten all clamps and hardware after 50-100 miles.