



INSTALLATION INSTRUCTIONS

MAKE: RAM
MODEL: 2500 / 3500
YEAR: 2019-2022
ENGINE: V8-6.4L HEMI

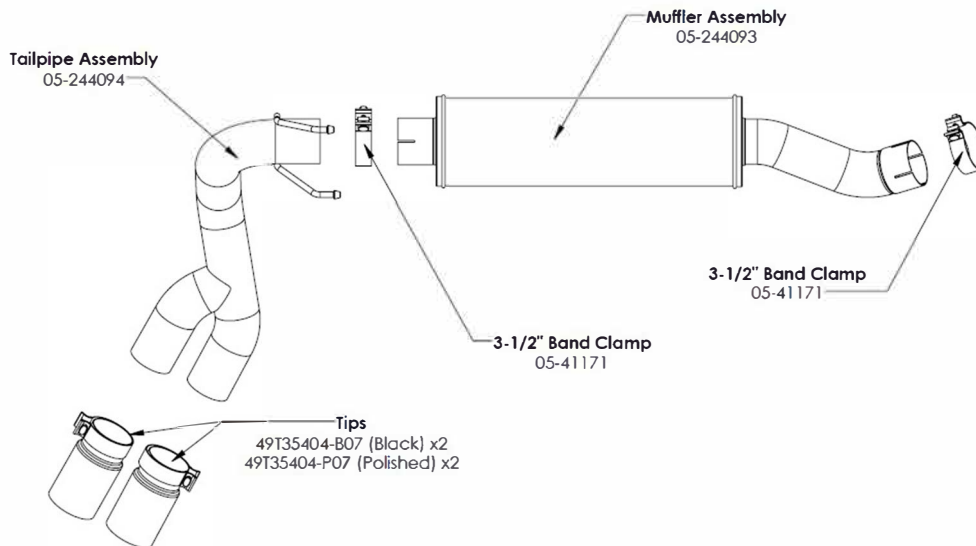
3-1/2" Stainless Steel

Cat-Back

49-42082-P (Polished Tips)

49-42082-B (Black Tips)

NOTE: Fits Crew Cab Short Bed (6'4" Bed) (149" Wheelbase)



- Step 1: (Read Instructions prior to installation)** Secure Vehicle on jack stands (refer to manual for specified jack stand position) remove your stock exhaust up to the catalytic converter from the rear of your truck working your way forward. Take caution not to damage the factory hardware and isolation mounts as they will be reused. It is recommended to not fully tighten the clamps until the entire system has been installed.
- Step 2:** Install muffler assembly using the provided band clamps. (Use a jack stand to hold up the muffler assembly).
- Step 3:** Remove two OE isolator mounts and install onto the aFe tailpipe assembly.
- Step 4:** Install tailpipe assembly into the muffler assembly using the provided band clamps.
- Step 5:** Install aFe power tips to desired location.
- Step 6:** Ensure that all the components of the aFe POWER exhaust system are aligned and are at a safe clearance from all wires, hoses, brake lines, and tires
- Step 7:** Starting from the front working your way back align and tighten the exhaust system.
- Step 8:** Your installation is now complete. It is recommended to re-tighten all exhaust components after 50-100 miles.

NOTES: aFe recommends that the tailpipe be at least 1/2"-1" away from any body panels to avoid heat related body damage. **Tighten and secure.**

Caution: Allow time for your vehicle to cool down prior to installation. When working on or under your vehicle proceed with caution. Exhaust systems reach high temperatures and may cause serious burns. Wear protective safety equipment; eye goggles and gloves to ensure a safe installation. **aFe recommends professional installation on our products.**

06-86311
Update March, 2021