



INSTALLATION INSTRUCTIONS

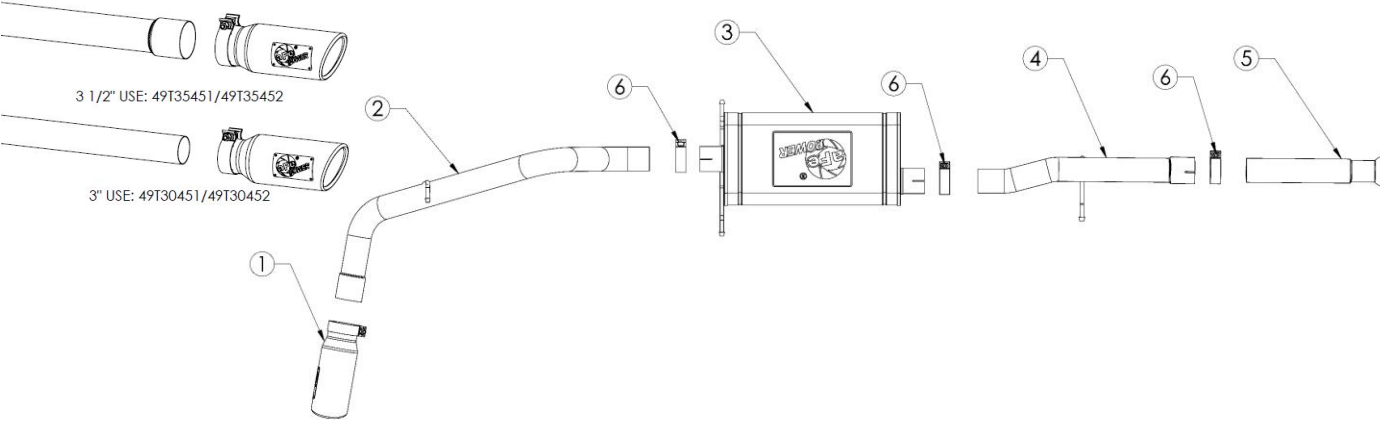
Cat -Back Exhaust

MAKE: Chevrolet / GMC
MODEL: Silverado 1500 / Sierra 1500
YEAR: 2009-2018
ENGINE: V6-4.3L / V8-4.8L & 5.3L

49-44136-P
 49-44136-B

Note: Fits SC/LB (133" WB)

ORDERING REPLACEMENT TIPS?



Item	Description	Part Number	Quantity
1	EXH Tip 3-1/2 In x 4-1/2 Out Bolt-On Pol	49T30451-P12	1
1	EXH Tip 3-1/2 In x 4-1/2 Out Bolt-On Blk	49T30451-B12	1
2	Over-Axle	05-44196	1
3	Muffler Assembly	05-44206	1
4	Mid Pipe	05-244096	1
5	Front Pipe	05-244075	1
6	Clamp, Band: 3"	05-41055	3

aFe POWER recommends professional installation on this product. Thoroughly inspect the aFe POWER exhaust system to make sure there is no damage from shipping (if damage is noted, immediately contact aFe POWER customer service). Allow time for your vehicle to cool down prior to installation. When working on your vehicle proceed with caution. Wear protective safety equipment; eye goggles and gloves to ensure a safe installation.

Install band clamps to proper torque specifications of 40-45 ft-lb.





INSTALLATION INSTRUCTIONS

MAKE: Chevrolet / GMC
MODEL: Silverado 1500 / Sierra 1500
YEAR: 2009-2018
ENGINE: V6-4.3L / V8-4.8L & 5.3L

Cat -Back Exhaust

49-44136-P

49-44136-B

Note: Fits SC/LB (133" WB)

1. **Read instructions prior to installation.)** It is recommended to not fully tighten the exhaust until it has been fully installed. Leave loose for adjustability.
2. Secure vehicle on jack stands (refer to your manual for specified jack stand positions).
3. For faster installation, spread out the parts of the exhaust alongside your vehicle as shown in the diagram above.
4. Secure the stock exhaust with jack/stands.
5. Remove the O.E Exhaust up to the O.E. Y-pipe.
6. Install mid-pipe using the O.E. clamp. You will have to release the locking tab with a small screwdriver. This is best done after removing the stock exhaust. Now install the mid-pipe.
7. Slip band clamp over expanded end of muffler prior to installation. Now install muffler onto
8. mid-pipe and rubber isolators.
9. Utilizing the factory isolation mounts now install over-axle/tailpipe and tip.
10. Ensure that all the components of the aFe POWER exhaust system are aligned and are at a safe clearance from all wires, hoses, brake lines, body parts, and tires.
11. Start from the front of the aFe exhaust system and evenly tighten all clamps and fasteners.
12. Start the vehicle and check for any leaks. If any leaks are found, determine cause and repair as necessary.
13. Remove vehicle from jacks stands.