



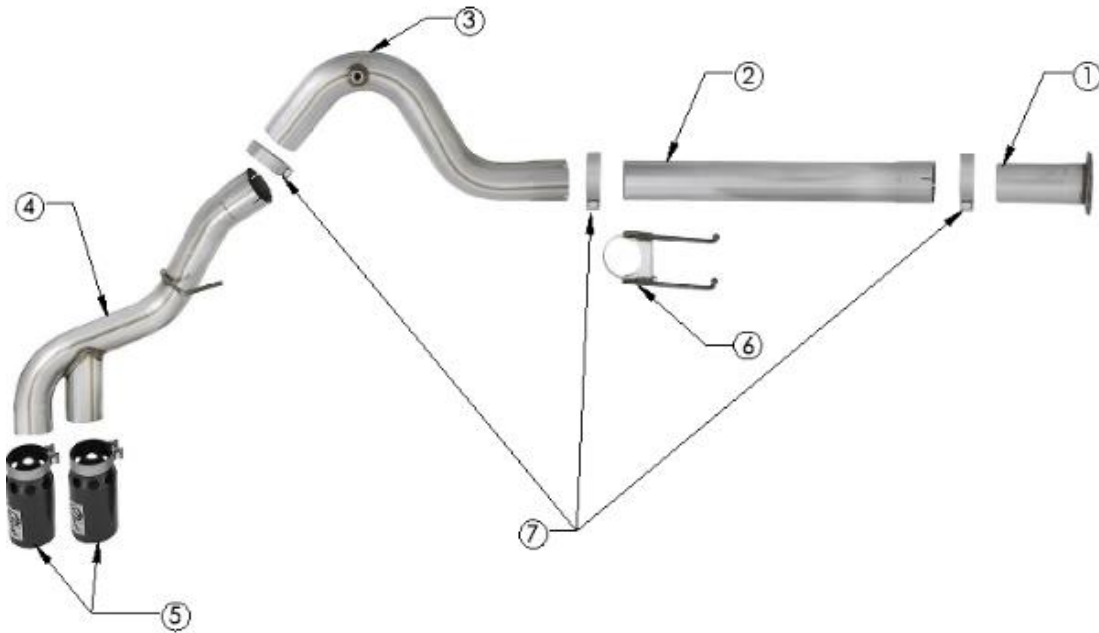
INSTALLATION INSTRUCTIONS

DPF-Back Exhaust

MAKE: Ford
 MODEL: F-250/ F-350 Super Duty
 YEAR: 2015-2016
 ENGINE: V8-6.7L (td) Power Stroke

49-43121-P
 49-43121-B

Fits Wheelbases: 141.8", 156.2", 158", 172.4"



Item	Description	Part Number	Quantity
1	Adapter Tube	05-144285	1
2	Extension Pipe	05-244060	1
3	Over-Axle	05-244063	1
4	Tailpipe Turnout	05-244062	1
5	Exhaust Tip	49T40501-P10 / 49T40501-B10	2
6	Hanger Clamp	05-410042	1
7	Clamp, Band: 4"	05-41172	3

aFe POWER recommends professional installation on this product. Thoroughly inspect the aFe POWER exhaust system to make sure there is no damage from shipping (if damage is noted, immediately contact aFe POWER customer service). Allow time for your vehicle to cool down prior to installation. When working on your vehicle proceed with caution. Wear protective safety equipment; eye goggles and gloves to ensure a safe installation.

Install band clamps to proper torque specifications of 40-45 ft-lb.





INSTALLATION INSTRUCTIONS

DPF-Back Exhaust

MAKE: Ford
MODEL: F-250/ F-350 Super Duty
YEAR: 2015-2016
ENGINE: V8-6.7L (td) Power Stroke

49-43121-P
49-43121-B

Fits Wheelbases: 141.8", 156.2", 158", 172.4"

1. **(Read instructions prior to installation.)** It is recommended to not fully tighten the exhaust until it has been fully installed. Leave loose for adjustability.
2. Secure vehicle on jack stands (refer to your manual for specified jack stand positions).
3. For faster installation, spread out the parts of the exhaust alongside your vehicle as shown in the diagram above.
4. Secure the stock exhaust with jack/stands.

NOTE: Some cutting may be required during install. The measurements listed below will guide you on what to do for every Cab configuration.

- **EC/SB (141.8"WB)...**Trim Flange adaptor 05-144285 (approx.. 3" off) No extension pipe.
- **CC/SB (156.2"WB)...** install Flange adaptor + Trim extension pipe to 11" long
- **EC/LB (158"WB)...** install Flange adaptor + Trim extension pipe to 13" long
- **CC/LB (172.4"WB)...** install Flange adaptor, extension pipe (No cutting required)

5. Install the adapter tube and extension pipe. Cut to length according to cab configuration.
6. Install over-axle. Place hanger clamp over the over-axle tube with hangers facing the front of the truck.
7. Install the tailpipe. Place tips at desired position with aFe POWER logo facing the rear of the truck. (Slightly tighten tip into position).
8. Ensure that all the components of the aFe POWER exhaust system are aligned and are at a safe clearance from all wires, hoses, brake lines, body parts, and tires.
9. Start from the front of the aFe exhaust system and evenly tighten all clamps and fasteners. Install NOx Sensor back into aFe Exhaust.
10. Start the vehicle and check for any leaks. If any leaks are found, determine cause and repair as necessary.
11. Remove vehicle from jacks stands.
12. It is recommended to re-tighten all clamps and hardware after 50-100 miles.