

advanced FLOW engineering

Rapid Induction Cold Air Intake System

Instruction Manual P/N: 52-10002D / 52-10002R

Make: RAM

Model: 1500

Year: 2019-2021

Engine: V6-3.6L



- Please read the entire instruction manual before proceeding.
- Ensure all components listed are present.
- For technical support please call 951-493-7185.
- Ensure you have all necessary tools before proceeding.
- Do not attempt to work on your vehicle when the engine is hot.
- Retain factory parts for future use.

Label	Qty.	Description	Part Number
A1	1	Air Filter (Pro DRY S)	21-90108
A2	1	Air Filter (Pro 5R)	24-90108
B	1	Housing	05-5413020B2
C	1	Tube	05-5210002B1
D	1	Coupling, Silicone Reducer: (3-1/4" x 3-1/8")ID x 3"L	05-01330
E	1	Seal, Trim (32" L)	05-00072
F	1	Silicone Hose, 5/8" ID (6" L)	05-01502
G	2	Clamp, #048	03-50007
H	1	Fitting, 5/8" Barb to CCV	03-50659
I	1	Grommet	03-50167
J	1	Fitting, Air Temperature Sensor	05-01454

Installation will require the following tools:

8mm nut driver, 10mm deep socket and driver, 6" driver extension

Emissions Disclaimer: This product is not currently CARB exempt and is not available for purchase in California or for use on any vehicle registered with the California Department of Motor Vehicles.

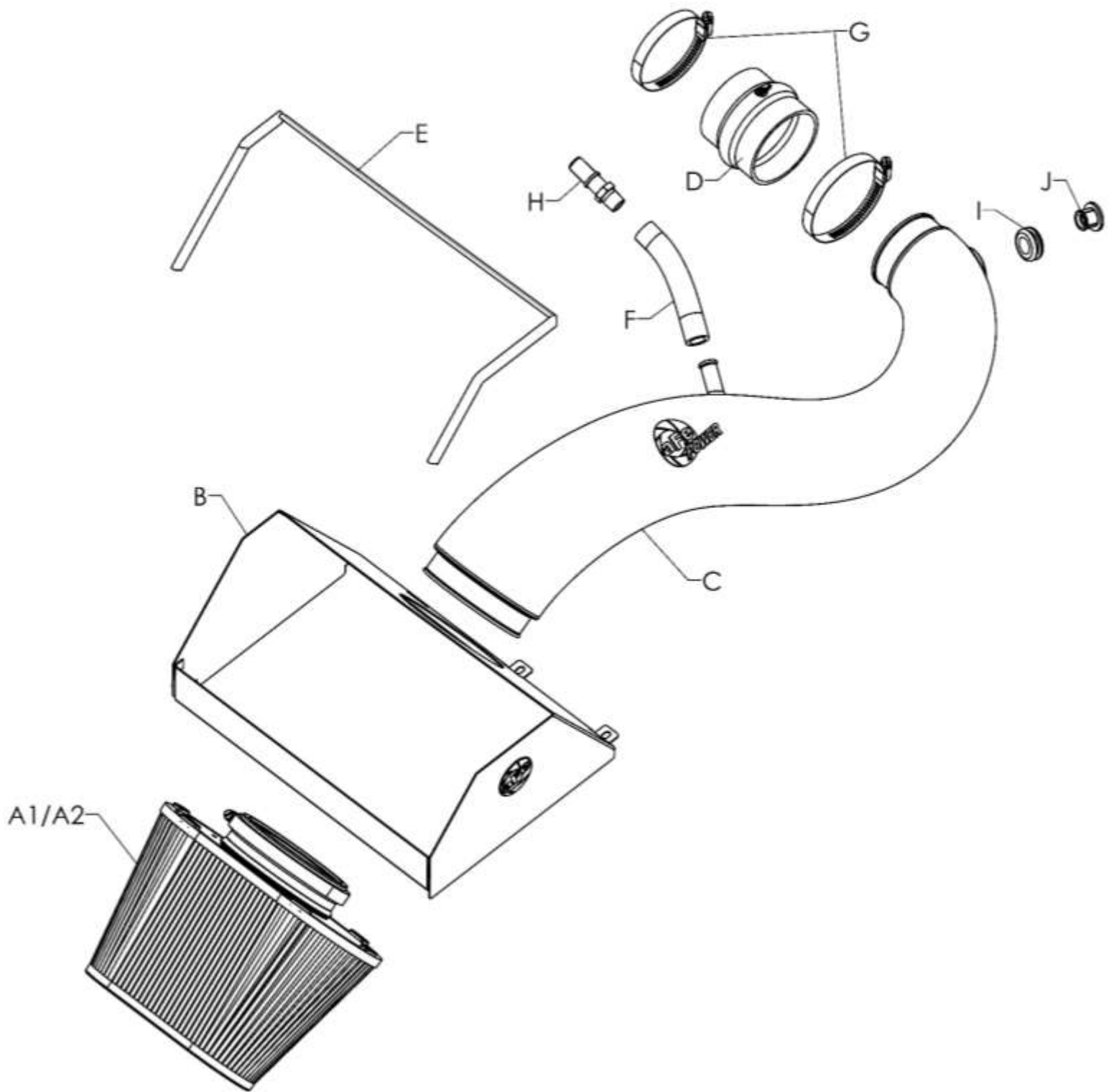



Figure A

Refer to Figure A for Steps 1-5

Step 1: Using an 8mm nut driver, loosen the two clamps ① at the throttle body and factory filter housing.

Step 2: Disconnect the temperature sensor wire harness ②.

Step 3: Using a 10mm deep socket and driver, remove the nut ③ securing the factory intake tube to the valve cover and set aside.

Step 4: Disconnect the quick connect fitting ④ on the back side of the factory intake tube.

Step 5: Remove the factory intake tube from the vehicle.

**Figure B****Refer to Figure B for Steps 6-7**

Step 6: Using a 10mm socket and driver with extension, remove the 6x screws (5) around the factory filter housing, and remove the cover.

Step 7: Remove the factory air filter.

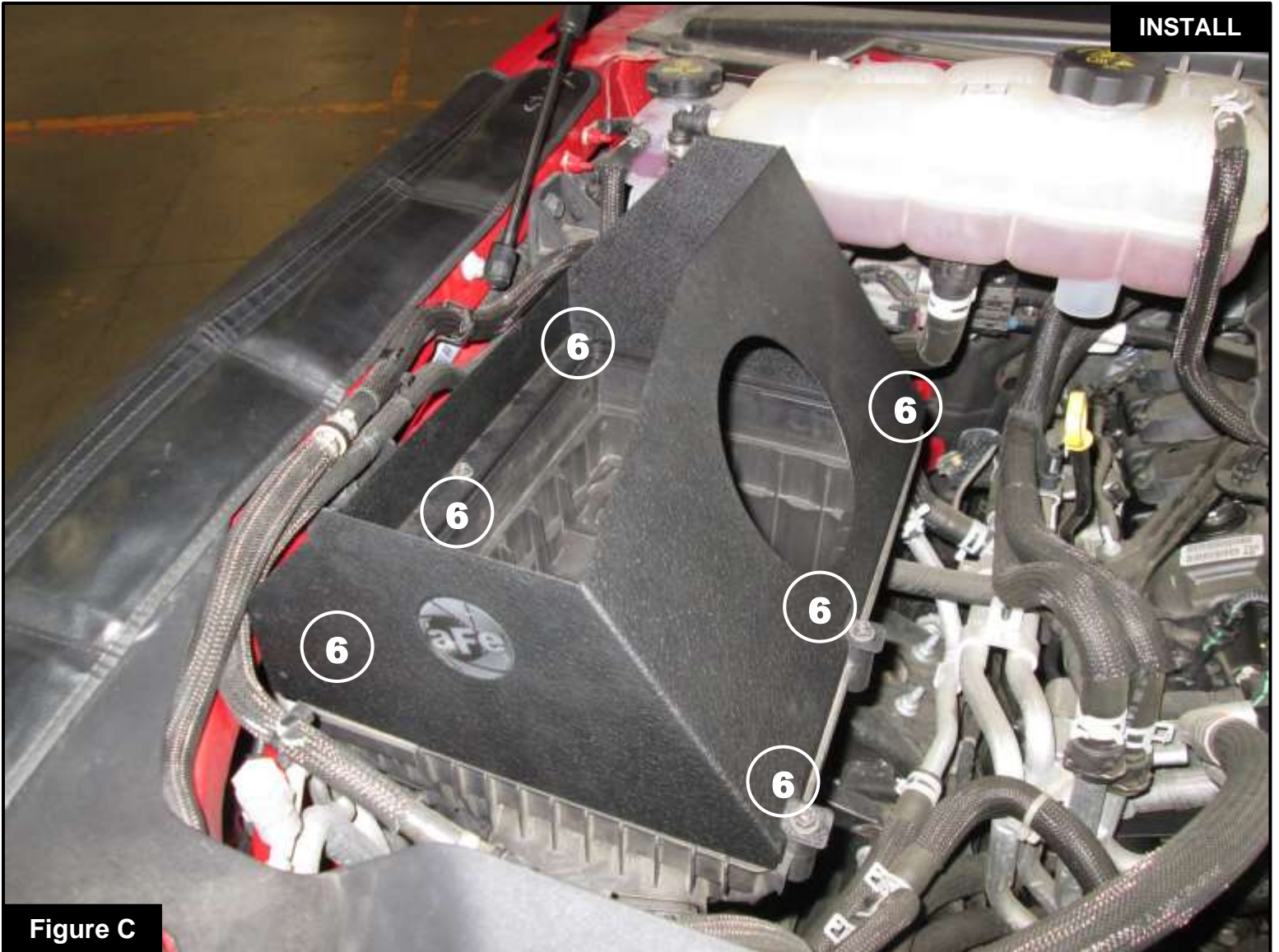


Figure C

Refer to Figure C for Step 8

Step 8: Using the 6x screws (6) removed in step #6, secure your aFe POWER filter housing to the top of the factory filter housing and tighten using a 10mm socket with extension.



Figure D

Refer to Figure D for Step 9

Step 9: Install your aFe POWER air filter into the filter housing by removing the clamp, then sliding the filter flange through the opening on the housing and pressing gently until the filter snaps into place. Place the filter clamp loosely on the filter flange when finished.



Refer to Figure E for Step 10

Step 10: Install the supplied silicone reducer coupler (7) and clamp (8) with the smaller end on the throttle body. Tighten the clamp using an 8mm nut driver.

**Figure F****Refer to Figure F for Steps 11-12**

Step 11: Install the supplied male quick connect fitting ⑨ into the factory female fitting.

Step 12: Attach the supplied silicone hose ⑩ to the barbed end of the fitting.

**Figure G****Refer to Figure G for Step 13**

Step 13: Install the supplied rubber grommet and fitting ① into your aFe Power intake tube as shown. A small amount of silicone grease may be used to ease the install of the fitting into the grommet.



Figure H

Refer to Figure H for Step 14

Step 14: Transfer the temperature sensor ⑫ from the stock intake tube into the fitting on your aFe Power intake tube.

**Figure I****Refer to Figure I for Step 15-17**

Step 15: Install your aFe POWER air intake tube (13) by sliding the remaining clamp over coupler on the throttle body, then inserting the tube end into the coupler and rotating it down counterclockwise into the filter flange. Tighten all clamps using an 8mm nut driver.

Step 16: Secure the silicone hose installed in step #12 (14) to your aFe POWER intake tube.

Step 17: Reconnect the air temperature sensor wire harness (15) to the sensor installed in the intake tube.

**Figure J****Refer to Figure J for Step 18**

Step 18: Install the supplied seal trim along the top edge of your aFe POWER filter housing cutting slots if necessary to help with bend angles.

**Figure K****Refer to Figure K for Step 20**

Step 20: Check that all clamps are tight and connections are secure. Your installation is now complete.

Thank you for choosing aFe POWER!

NOTE: Check all bolts, clamps, and connectors after 100-200 miles.



PAGE LEFT BLANK INTENTIONALLY



PAGE LEFT BLANK INTENTIONALLY



PAGE LEFT BLANK INTENTIONALLY



Pro DRY S Air Filter



P/N: 21-90108

Pro 5R Air Filter



P/N: 24-90108

Pro GUARD 7 Air Filter



P/N: 72-90108

Magnum SHIELD Pre-Filter



P/N: 28-10423

Pro DRY S Restore Kit



P/N: 90-59999

Pro 10R / Pro 5R Restore Kit



P/N: 90-50501

Pro GUARD 7 Restore Kit



P/N: 90-50500

Scorcher GT Power Module



P/N: 77-46205

Sprint Booster V3



P/N: 77-12010

aFe POWER Backpack



P/N: 40-33205-B

aFe POWER LED Flashlight



P/N: 40-10202

aFe POWER Battery Pack



P/N: 40-10198

To purchase any of the items above, view airflow charts, dyno graphs, photos, and video; please go to aFepower.com



Warranty

General Terms:

- aFe warrants their products to be free from manufacturer's defects due to workmanship and material.
- This warranty applies only to the original purchaser of the product and is non-transferrable.
- Proof of purchase of the aFe product is required for all warranty claims.
- Warranty is valid provided aFe instructions for installation and/or cleaning were properly followed.
- Proper maintenance with regular inspections of product is required to insure warranty coverage.
- Damage due to improper installation, abuse, unauthorized repair or alteration is not warranted.
- Incidental or consequential damages or cost, including installation and removal of part, incurred due to failure of aFe product is not covered under this warranty.
- All warranty is limited to the repair and/or replacement of the aFe part. To request Return Goods Authorization ("RGA"), email RGA@afepower.com or call (951)493-7100. Upon receipt of the RGA, you must return the product to the address provided in the RGA, freight prepaid and accompanied with a dated proof of purchase and the RGA. Upon receipt of the defective product and upon verification of proof of purchase, aFe will either repair or replace the defective product within a reasonable time, not to exceed thirty days.

Product Category	P/N Prefix	Warranty duration
Direct OE Replacement Filters	10, 11, 30, 31, 71, 73	Life of the vehicle
Racing Filters	18	1 year
Universal	20, 21, 23, 24, 72, TF	2 years
Air Intake Systems	50, 51, 53, 54, 55, 56, 57, 58, 75, TR, TA, TL, TM	2 years
Exhaust Systems	49	2 years
Intercoolers & Intercooler Tubes	46-2	2 years
Intake Manifolds	46-1	2 years
Differential Cover	46-7	Life of the vehicle
Exhaust Manifolds	46	2 years
Throttle Body Spacers	46-3	2 years
Turbochargers	46-6	2 years*
Fluid Filters	44	90 days
Pre-Filters	28	2 years
Heavy Duty OE Replacement	70	2 years
PowerSports OE Replacement	81, 87	2 years
PowerSports Intake Systems	85	2 years

No other warranty expressed or implied applies nor is any person or advanced FLOW engineering authorized to assume any other warranty. Some States do not allow the exclusion or limitation of incidental or consequential damages or do not allow limitations on how long an implied warranty lasts, so the above limitations or exclusions may not apply to you. This warranty gives you specific legal rights, and you may also have other rights which vary from State to State.

*See turbocharger warranty for more info



advanced FLOW engineering, inc.

252 Granite Street Corona, CA 92879

TECH: 951.493.7185

E-Mail: Tech@aFepower.com

P/N: 06-81434