

advanced FLOW engineering Magnum FORCE Stage-2 Cold Air Intake System

**Instruction Manual** P/N: 54-13057D / 54-13057R

Make: Chevrolet

Model: Silverado 1500

Year: 2019-2021

Engine: V6-4.3L

Make: GMC

Model: Sierra 1500

Year: 2019-2021

Engine: V6-4.3L



- Please read the entire instruction manual before proceeding.
- Ensure all components listed are present.
- If you are missing any of the components, call customer support at 951-493-7100.
- Ensure you have all necessary tools before proceeding.
- Do not attempt to work on your vehicle when the engine is hot.
- Retain factory parts for future use.

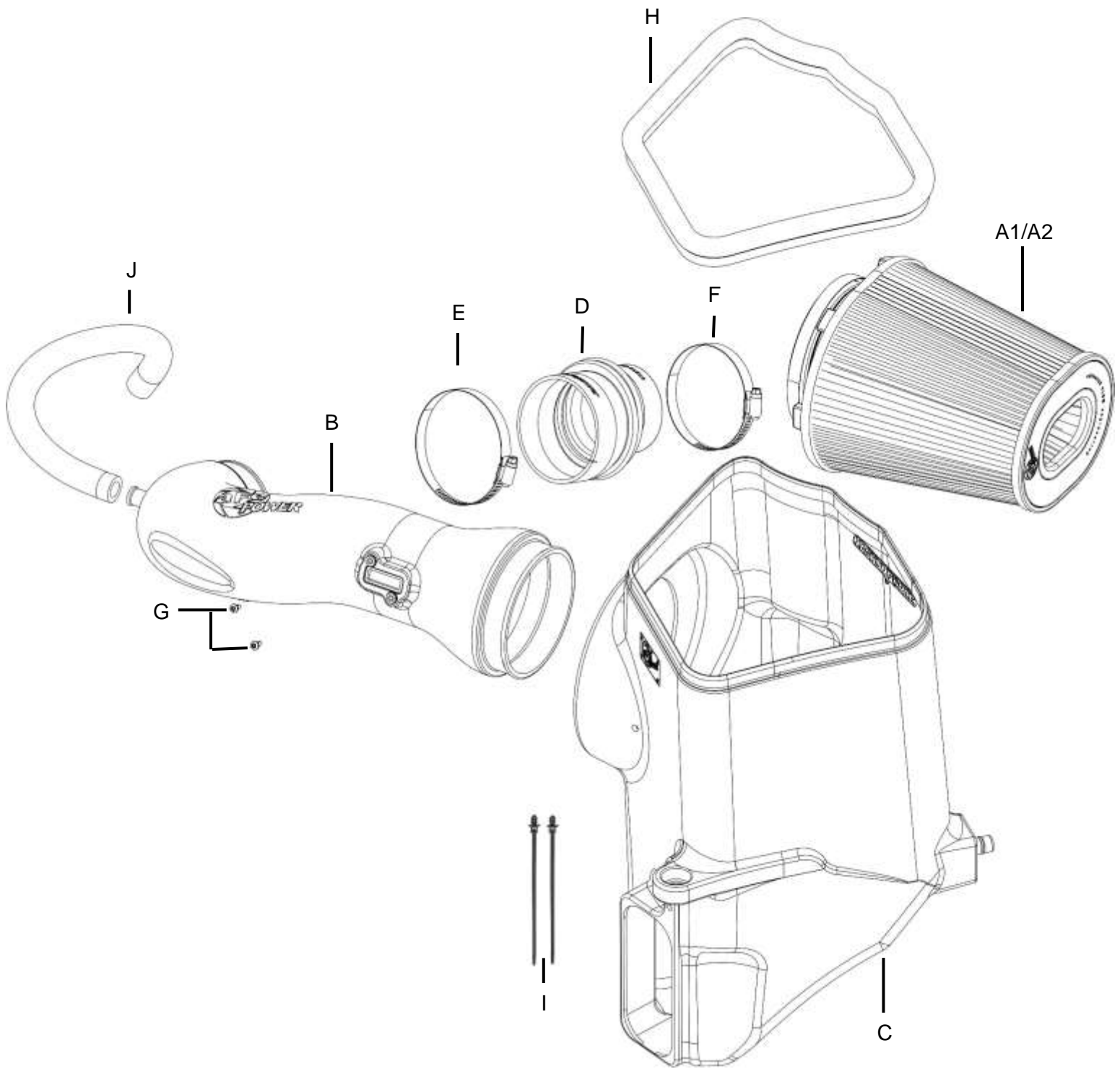
Label	Qty.	Description	Part Number
A1	1	Air Filter (Pro 5R)	24-91120
A2	1	Air Filter (Pro DRY S)	21-91120
B	1	Tube	05-5413036B1
C	1	Housing	05-5413036B2
D	1	Coupling, Silicone Bellow: (3-3/4"x3")ID x 4-3/4"L	05-01510
E	1	Clamp, 060 (3-5/16" - 4-1/4")	03-50002
F	1	Clamp, 048 (2-9/16" - 3-1/2")	03-50007
G	2	Screw, Torx: M4	03-50491
H	1	Seal, Trim: 3/4" Bulb (37"L)	05-01507
I	2	Ties, Nylon Cable Push Mount	03-50492
J	1	Hose, Silicone Breather, Black (18"L)	05-01396

**Installation will require the following tools:**

Panel clip remover, T-15 & T-20 Torx driver, 8mm nut driver, small flat-head screwdriver, 10mm deep socket and driver.

**Emissions Disclaimer:** This product is not currently CARB exempt and is not available for purchase in California or for use on any vehicle registered with the California Department of Motor Vehicles.

**IMPORTANT: The Air Filter Life System needs to be reset to 100% and then disabled. Follow your owner’s manual procedure titled “How to Reset the Engine Air Filter Life System” then disable the system entirely. Failure to disable the system may prompt a persisting “Check Engine Air Filter System” message.**





**Refer to Figure A for Steps 1-3**

Step 1: Disconnect the MAF sensor (1).

Step 2: Remove the crankcase breather hose (2) by pushing in both clips and pulling it out.

Step 3: Using an 8mm nut driver, loosen the hose clamps at the housing (3) and the throttle body (4).





Figure B

**Refer to Figure B for Step 4**

Step 4: Remove the air cleaner outlet duct (5) by rotating it counterclockwise and snapping it out of the eyelet.



Figure C

**Refer to Figure C for Step 5**

Step 5: Using a small flat-head screwdriver, release the locking tab at the wiring harness connector (6) and unsnap the two harness ties (7) then move the harness out of the way.







### **Refer to Figure E for Steps 8-10**

Step 8: Using the clip remover, remove the clip (10) that's holding the air scoop and set aside.

Step 9: Pull the air scoop out of the way from the stock housing.

Step 10: Using a 10mm deep socket and driver, remove the nut (11) that secures the housing to the vehicle.





Figure F

### **Refer to Figure F for Step 11**

Step 11: Remove the stock housing by pulling up out of the securing stud and towards the front of the vehicle. Two pins with grommets will have to come out of the holding bracket and a clear path is needed so that the air scoop is not in the way of the housing. Pull up on the housing to remove it from the vehicle.



**Figure G**

**Refer to Figure G for Steps 12-13**

Step 12: Remove the 2 grommets (12) from the stock housing pins and install them onto the aFe POWER housing.

Step 13: Remove the front metal insert and grommet (13) from the factory airbox and install them into the aFe POWER housing.



**Figure H****Refer to Figure H for Step 14**

Step 14: Using a T-20 Torx driver, remove the MAF sensor (14) from the stock housing and install it on the aFe POWER intake tube using the supplied M4 screws.



**Figure I****Refer to Figure I for Steps 15-17**

Step 15: Install the seal trim (15) on the top opening of the housing as shown.

Step 16: Install the aFe POWER housing into the vehicle. Make sure the two pin grommets are secure inside the bracket and reinstall and tighten the nut (16) removed in Step 10.

Step 17: Slide the air scoop inside the front opening of the aFe POWER housing. Align the air scoop and reinstall the clip (17) removed in Step 8.



**Figure J**

**Refer to Figure J for Steps 18-19**

Step 18: Install the sight shield with all ten clips removed in Step 7.

Step 19: Install the hood latch with the two screws removed in Step 6 and tighten them.



**Figure K****Refer to Figure K for Step 20**

Step 20: Remove the filter clamp (18) from the aFe POWER filter. Slide the aFe POWER filter into the aFe POWER housing from the top. Then guide the filter flange through the round opening in the housing and snap in the filter. Place the filter clamp on the filter flange.





Figure L

**Refer to Figure L for Step 21**

Step 21: Place the supplied aFe POWER coupling ①⑨ and #48 clamp ②⑩ over the throttle body.

**Figure M****Refer to Figure M for Steps 22-24**

Step 22: Place a #060 clamp (21) on the installed coupling.

Step 23: Install the aFe POWER intake tube into the vehicle. Slide the tube into the throttle body coupling first, then into the air filter.

Step 24: Align the tube and clamps correctly, then using an 8mm nut driver tighten all the clamps.




**Figure N**

### **Refer to Figure N for Steps 25-28**

Step 25: Connect the supplied silicone crankcase breather hose (22) to the port on the intake tube and the other end to the port where the stock hose was removed.

Step 26: Reconnect the MAF sensor (23) .

Step 27: Use the supplied captive tie (24) to secure the wiring harness to the aFe POWER housing and snap the tie in the upper provided hole. Snap the factory tie on the harness into the hole by the air scoop.

Step 28: Check all the components are tight and secure. Your installation is now complete. Thank you for choosing aFe POWER!

**NOTE: Check all bolts, clamps, and connectors after 100-200 miles.**





Pro DRY S Air Filter



P/N: 21-91120

Pro 5R Air Filter



P/N: 24-91120

Pro-GUARD 7 Air Filter



P/N: 72-91120

Pre-Filter



P/N: 28-10033

Pro DRY S Restore Kit



P/N: 90-59999

Blue Squeeze Restore Kit



P/N: 90-50501

Gold Squeeze Restore Kit



P/N: 90-50500

Pro GUARD HD Oil Filter



P/N: 44-LF038

Rear Differential Cover



P/N: 46-71140B

SPRINT BOOSTER V3



P/N: 77-14009

Cat-Back Exhaust System



P/N: 49-34104-B (Blk. Tips)  
49-34104-P (Pol. Tips)

Cat-Back Exhaust System



P/N: 49-34106-B (Blk. Tips)  
49-34106-P (Pol. Tips)

To purchase any of the items above, view airflow charts, dyno graphs, photos, and video; please go to [aFepower.com](http://aFepower.com).



# Warranty

## General Terms:

- aFe warrants their products to be free from manufacturer's defects due to workmanship and material.
- This warranty applies only to the original purchaser of the product and is non-transferrable.
- Proof of purchase of the aFe product is required for all warranty claims.
- Warranty is valid provided aFe instructions for installation and/or cleaning were properly followed.
- Proper maintenance with regular inspections of product is required to insure warranty coverage.
- Damage due to improper installation, abuse, unauthorized repair or alteration is not warranted.
- Incidental or consequential damages or cost, including installation and removal of part, incurred due to failure of aFe product is not covered under this warranty.
- All warranty is limited to the repair and/or replacement of the aFe part. To request Return Goods Authorization ("RGA"), email RGA@afepower.com or call (951)493-7100. Upon receipt of the RGA, you must return the product to the address provided in the RGA, freight prepaid and accompanied with a dated proof of purchase and the RGA. Upon receipt of the defective product and upon verification of proof of purchase, aFe will either repair or replace the defective product within a reasonable time, not to exceed thirty days.

Product Category	P/N Prefix	Warranty duration
Direct OE Replacement Filters	10, 11, 30, 31, 71, 73	Life of the vehicle
Racing Filters	18	1 year
Universal	20, 21, 23, 24, 72, TF	2 years
Air Intake Systems	50, 51, 53, 54, 55, 56, 57, 58, 75, TR, TA, TL, TM	2 years
Exhaust Systems	49	2 years
Intercoolers & Intercooler Tubes	46-2	2 years
Intake Manifolds	46-1	2 years
Differential Cover	46-7	Life of the vehicle
Exhaust Manifolds	46	2 years
Throttle Body Spacers	46-3	2 years
Turbochargers	46-6	2 years*
Fluid Filters	44	90 days
Pre-Filters	28	2 years
Heavy Duty OE Replacement	70	2 years
PowerSports OE Replacement	81, 87	2 years
PowerSports Intake Systems	85	2 years

No other warranty expressed or implied applies nor is any person or advanced FLOW engineering authorized to assume any other warranty. Some States do not allow the exclusion or limitation of incidental or consequential damages or do not allow limitations on how long an implied warranty lasts, so the above limitations or exclusions may not apply to you. This warranty gives you specific legal rights, and you may also have other rights which vary from State to State.

\*See turbocharger warranty for more info





advanced FLOW engineering, inc.

252 Granite Street Corona, CA 92879  
TEL: 951.493.7100 • TECH: 951.493.7134  
E-Mail: Tech@aFepower.com

P/N: 06-81383