

advanced FLOW engineering Cold Air Intake System

Instruction Manual P/N: 50-70064D / 50-70064T

Make: Chevrolet	Model: Silverado 1500	Year: 2020-2022	Engine: I6-3.0L LM2
Make: Chevrolet	Model: Tahoe/Suburban	Year: 2021-2023	Engine: I6-3.0L LM2
Make: GMC	Model: Sierra 1500	Year: 2020-2022	Engine: I6-3.0L LM2
Make: GMC	Model: Yukon/Yukon XL	Year: 2021-2023	Engine: I6-3.0L LM2
Make: Cadillac	Model: Escalade	Year: 2021-2023	Engine: I6-3.0L LM2



- Please read the entire instruction manual before proceeding.
- Ensure all components listed are present.
- For technical support please call 951-493-7185.
- Ensure you have all necessary tools before proceeding.
- Do not attempt to work on your vehicle when the engine is hot.
- Retain factory parts for future use.

Label	Qty.	Description	Part Number
A1	1	Air Filter (Pro 10R)	20-91147
A2	1	Air Filter (Pro DRY S)	21-91147
B	1	Tube	05-5070064B1
C	1	Housing	05-5070064B2
D	1	Coupling, Silicone Bellow: 104mm ID x 3"L	05-01565
E	2	Clamp, T-bolt (4-1/16" - 4-3/8")	03-50262
F	1	Clamp, T-bolt (8-5/16" - 8-5/8")	03-50267
G	1	Plug, Silicone	05-01429
H	2	Screw, Torx: M4x10mm	03-50490
J	2	Ties, Nylon Cable Push Mount	03-50492

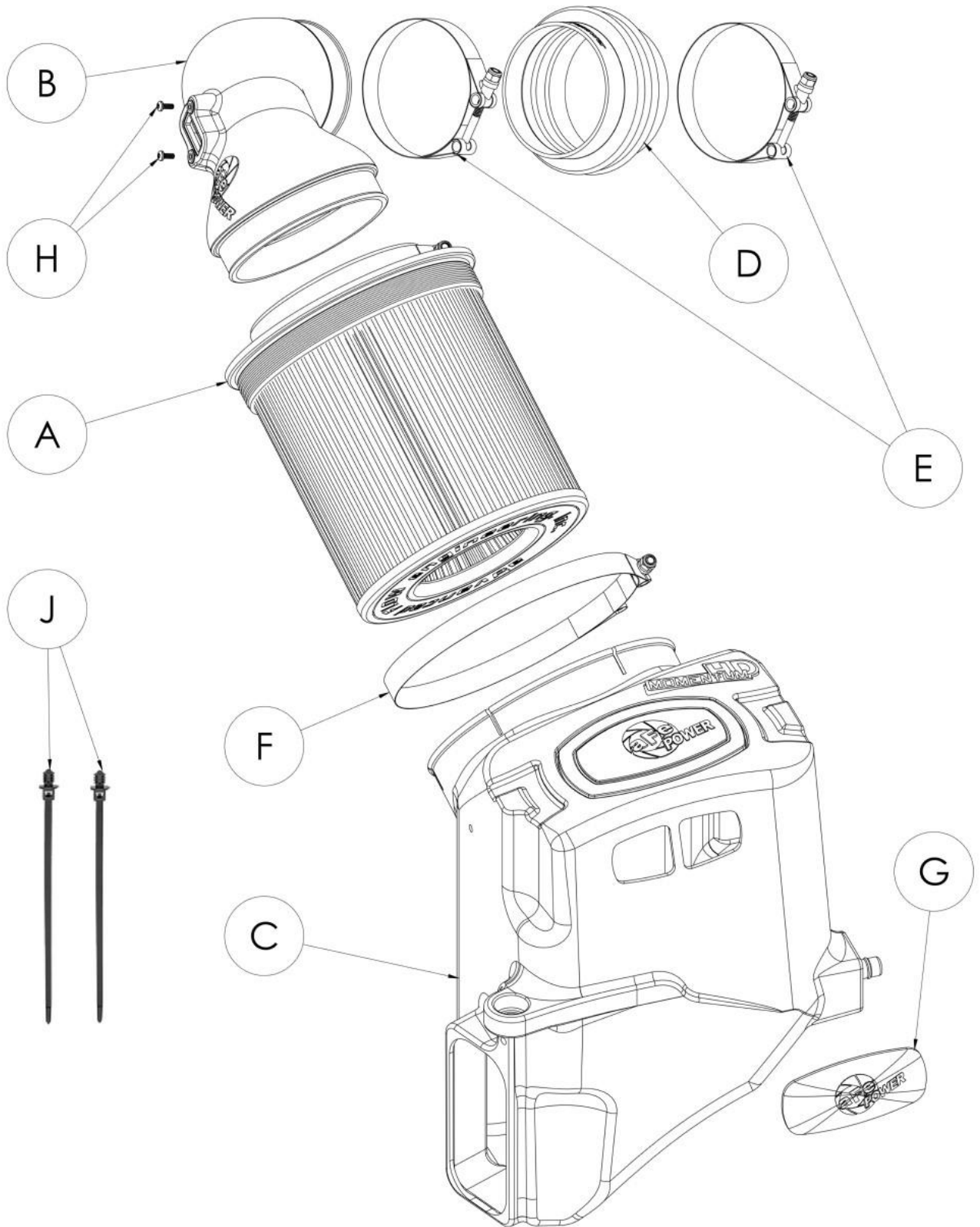
Installation will require the following tools:

Panel clip remover, T15 & T20 Torx drivers, 7mm & 8mm nut driver, small flat-head screwdriver, 10mm & 11mm deep sockets and driver, 10mm & 13mm sockets and driver

Warranty Information available at <https://afepower.com/contact#warranty>

Emissions Disclaimer: This product is not currently CARB exempt and is not available for purchase in California or for use on any vehicle registered with the California Department of Motor Vehicles.

IMPORTANT: The Air Filter Life System needs to be reset to 100% and then disabled. Follow your owner’s manual procedure titled “How to Reset the Engine Air Filter Life System” then disable the system entirely. Failure to disable the system may prompt a persisting “Check Engine Air Filter System” message.



**Figure A****Refer to Figure A for Steps 1-3**

Step 1: Disconnect the MAF sensor ①.

Step 2: Using a 7mm nut driver, loosen the hose clamp ② at the turbo inlet tube.

Step 3: Using an 8mm nut driver, loosen the three screws ③ securing the upper factory airbox lid. Remove the upper factory airbox lid with the intake hose as one piece.



Figure B

Refer to Figure B for Steps 4-5

Step 4: Using a T-15 Torx driver, remove the two screws (4) securing the hood latch and then slide it out to remove. Set the screws aside.

Step 5: Using a panel clip remover, remove all ten (x10) panel clips (5) holding the sight shield. Remove the shield and set it aside with the clips.



Refer to Figure C for Steps 6-9

Step 6: Using a 13mm socket and driver, remove the two screws (6) holding the cross bar. Lift up the cross bar to remove and set aside with the screws.

Step 7: Using a small flat-head screwdriver, release the locking tab at the wiring harness connector (7) and unsnap the two (x2) harness ties (8).

Step 8: Using a 10mm socket and driver, remove the screw (9) holding the fuse block bracket and set it aside.

Step 9: Using a 10mm socket and driver, remove the screw (10) holding the coolant reservoir and set it aside.

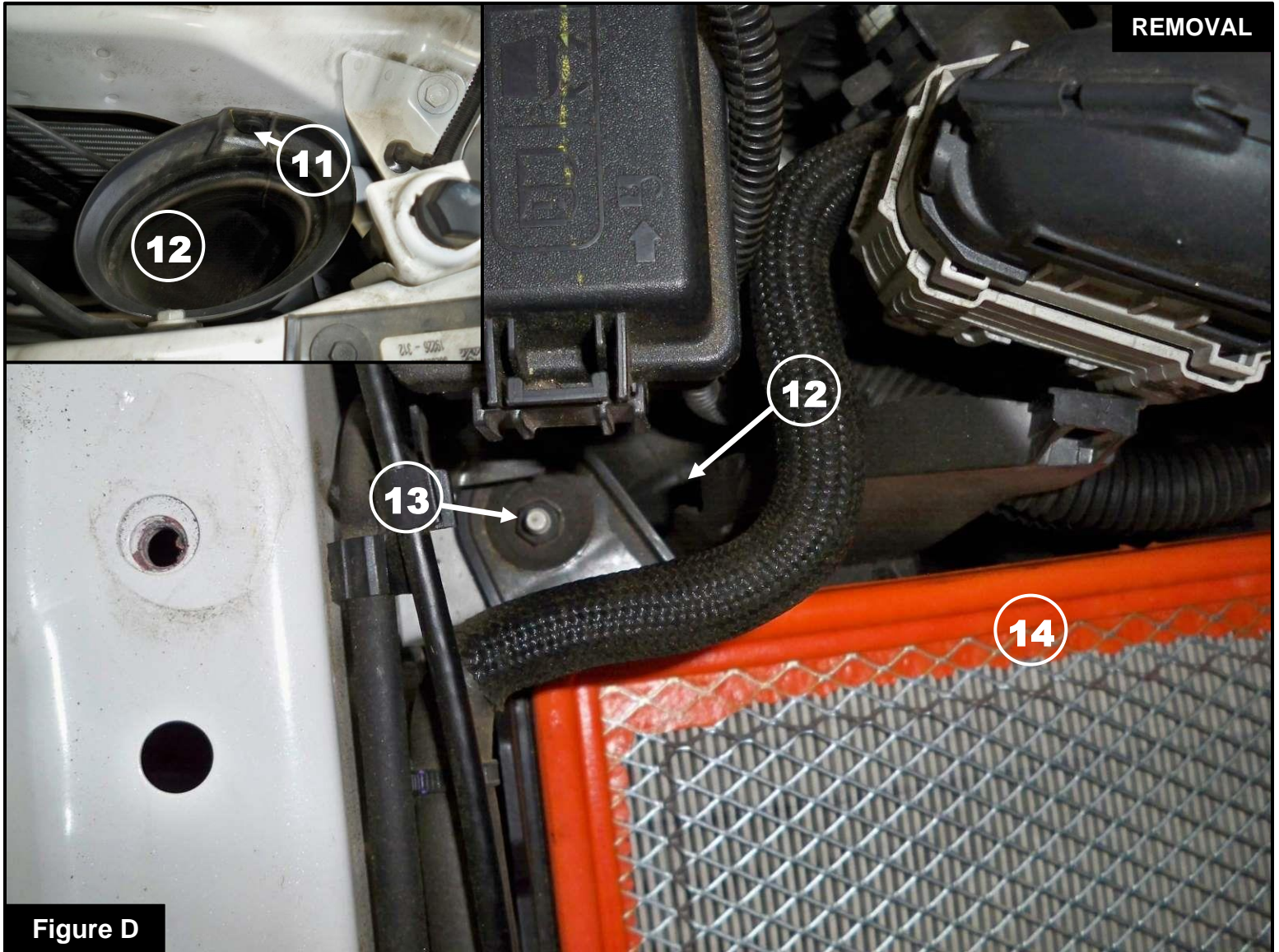


Figure D

Refer to Figure D for Steps 10-13

Step 10: Using the clip remover, remove the clip (11) that's holding the air scoop and set aside.

Step 11: Pull the air scoop (12) out of the way from the factory airbox.

Step 12: Using a 10mm deep socket and driver, remove the nut (13) that secures the factory airbox to the vehicle and set aside.

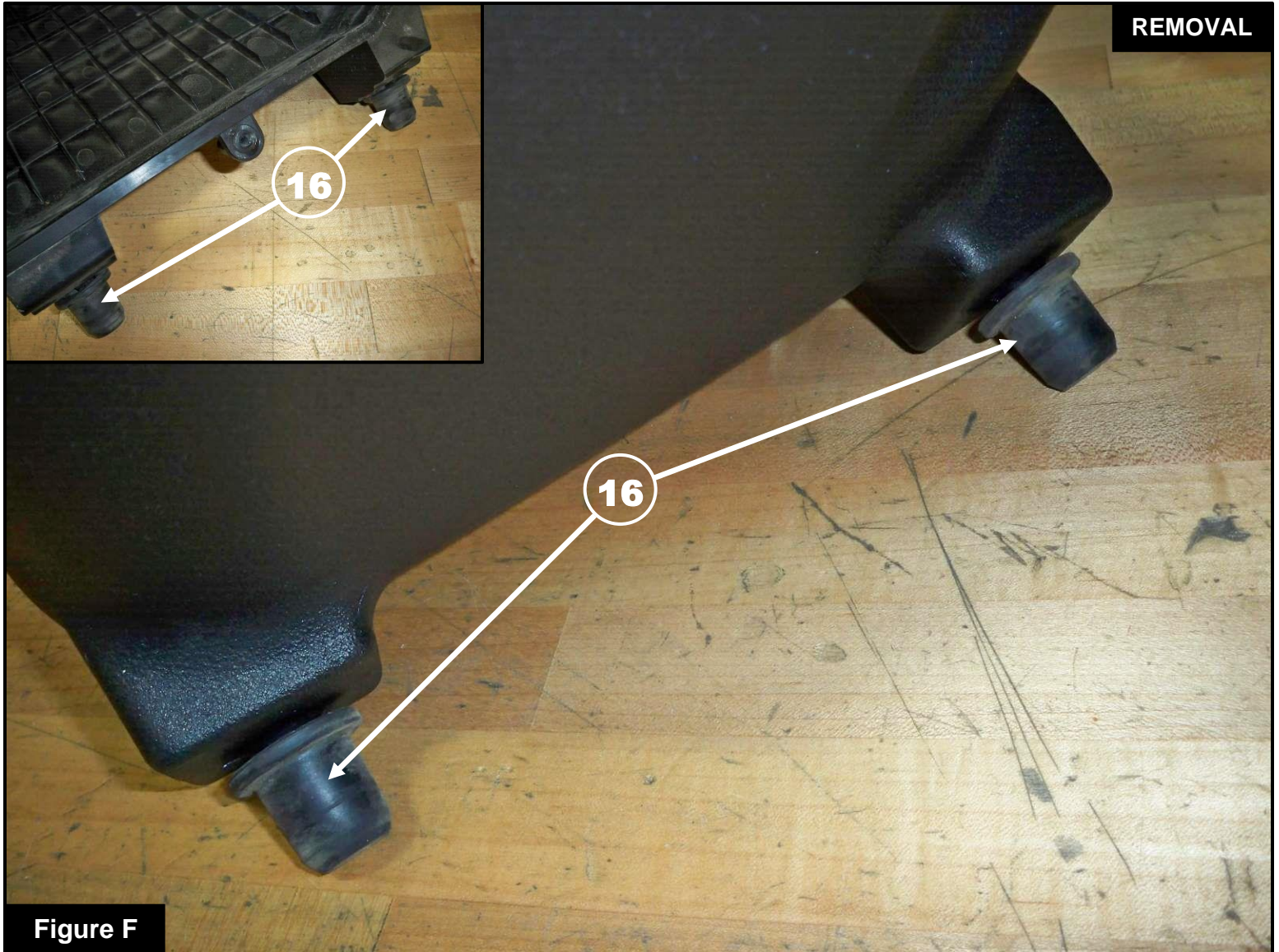
Step 13: Remove the air filter (14).



Figure E

Refer to Figure E for Step 14

Step 14: Remove the factory airbox by pulling up out of the securing stud and towards the front of the vehicle. Two pins with grommets (15) will have to come out of the holding bracket and a clear path is needed so that the air scoop is not in the way of the factory airbox. The coolant reservoir, fuse block and wiring harness will have to move for clearance.



Refer to Figure F for Step 15

Step 15: Remove the two grommets ①6 from the factory airbox pins and install them onto the aFe POWER housing.



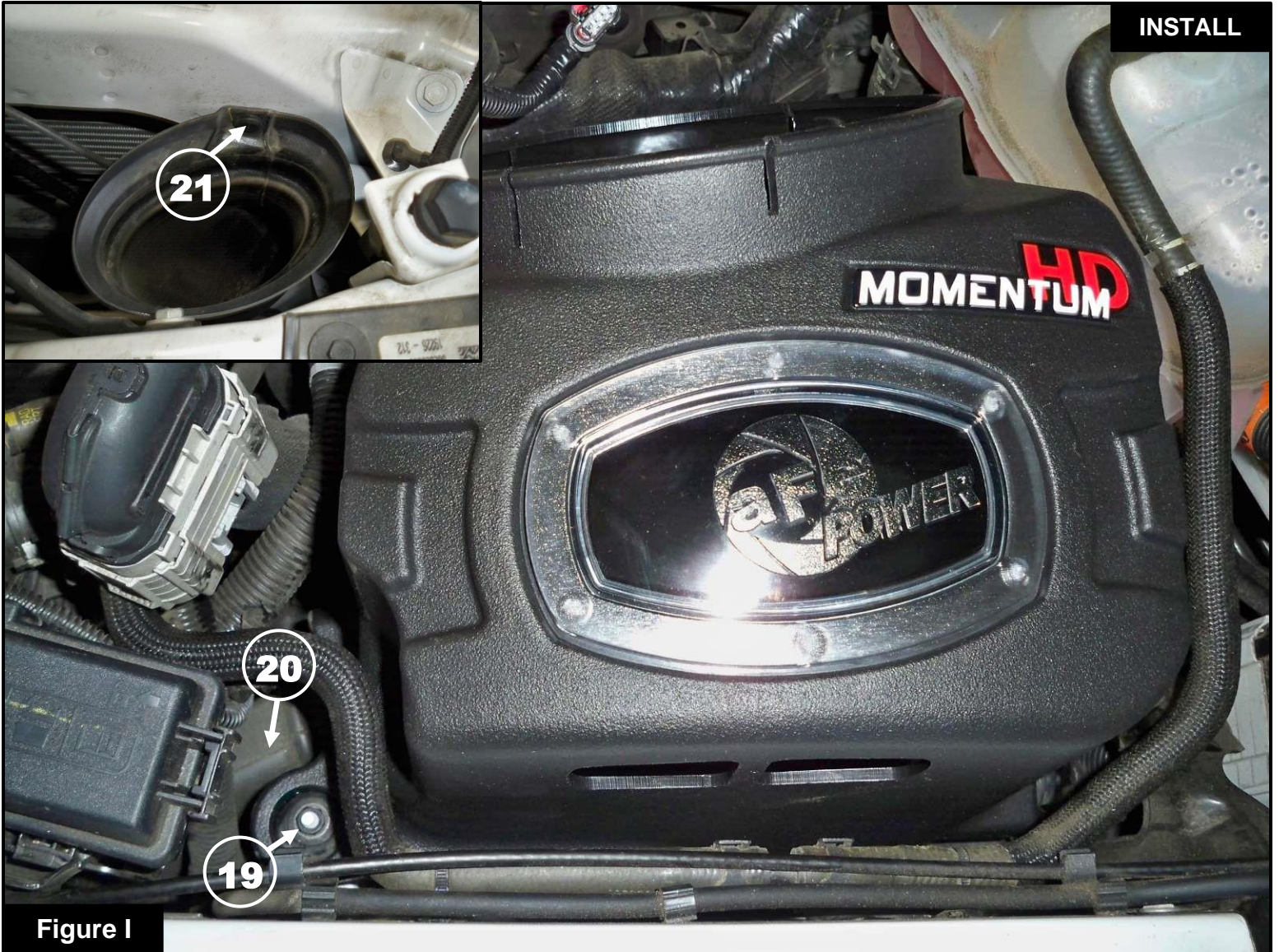
Figure G

Refer to Figure G for Step 16

Step 16: Remove the front metal insert and grommet (17) from the factory airbox and install them into the aFe POWER housing.

**Figure H****Refer to Figure H for Step 17**

Step 17: Using a T20 Torx driver, remove the MAF sensor ⑮ from the factory airbox and install it on the aFe POWER intake tube using the supplied M4 screws.

**Figure I****Refer to Figure I for Steps 18-19**

Step 18: Install the aFe POWER housing into the vehicle. Make sure the two pin grommets are secure inside the holding bracket. Reinstall and tighten the nut (19) removed in Step 12.

Step 19: Slide the air scoop (20) inside the front opening of the aFe POWER housing. Align the air scoop and reinstall the clip (21) removed in Step 10.

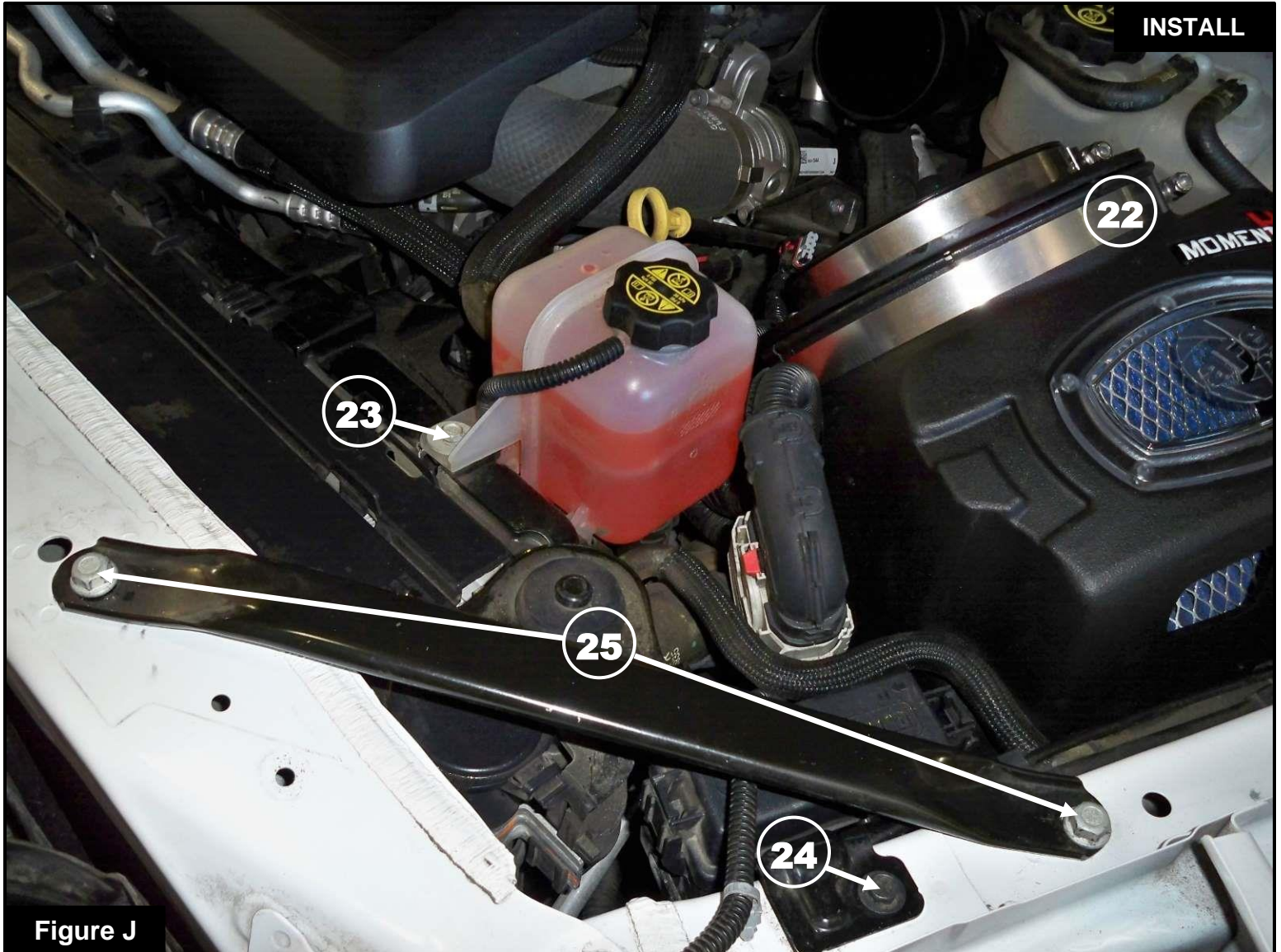


Figure J

Refer to Figure J for Steps 20-24

Step 20: Slide the large T-Bolt clamp (22) over the air filter opening on the aFe POWER housing.

Step 21: Slide the aFe POWER filter with clamp into the aFe POWER housing. Do not tighten the clamps.

Step 22: Install and secure the coolant reservoir with the screw (23) removed on Step 9.

Step 23: Install and secure the fuse block bracket with the screw (24) removed on Step 8.

Step 24: Install the cross bar with the two screws (25) removed in Step 6 and tighten them.

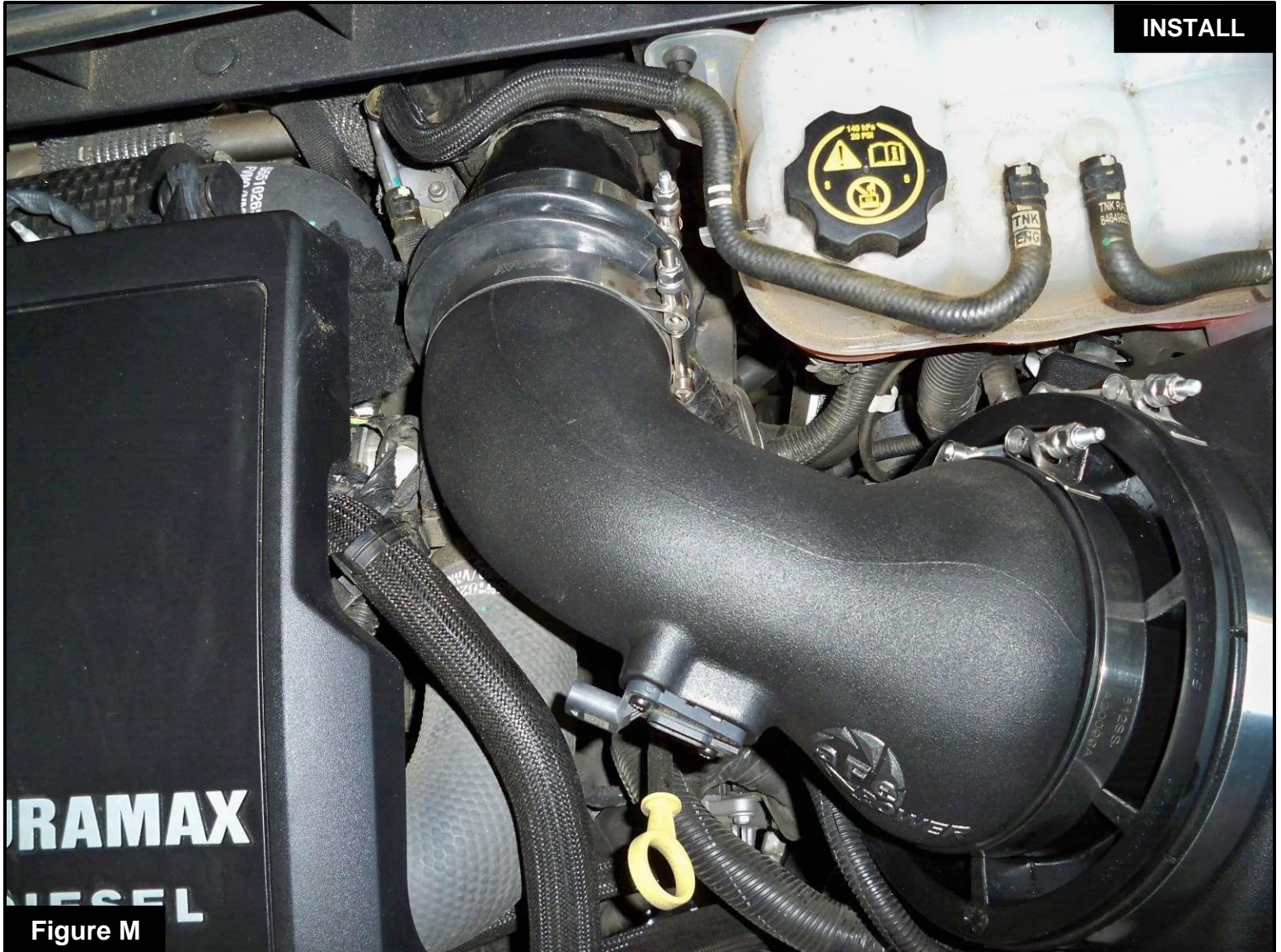
**Figure K****Refer to Figure K for Steps 25-26**

Step 25: Install the sight shield **26** with all ten clips removed in Step 5.

Step 26: Install the hood latch **27** with the two screws removed in Step 4 and tighten them.

**Figure L****Refer to Figure L for Step 27**

Step 27: Place the supplied aFe POWER coupling (28) and one of the T-Bolt clamp (29) over the turbo inlet tube and tighten the clamp using a 11mm deep socket and driver. Place the other T-Bolt clamp (30) onto the coupling but do not tighten this clamp.



Refer to Figure M for Steps 28-29

Step 28: Install the aFe POWER intake tube into the vehicle. Slide the tube into the coupling first, then into the air filter.

Step 29: Align the tube and clamps correctly, then using a 11mm deep socket and driver tighten all the clamps.

**Figure N****Refer to Figure N for Steps 30-33**

Step 30: Reconnect the MAF sensor (31).

Step 31: Use the supplied captive tie to secure the wiring harness to the aFe POWER housing and snap the tie in the provided upper hole.

Step 32: Use the provided plug (32) to close the additional air inlet if you want to completely seal the housing. Best performance gain is obtained by having more air flow (no plug).

Step 33: Check all the components are tight and secure. Your installation is now complete. Thank you for choosing aFe POWER!



Page left blank intentionally



Page left blank intentionally



advanced FLOW engineering, inc.

Corona, CA 92879

<https://afepower.com/contact>