

advanced FLOW engineering Track Series Cold Air Intake System

Instruction Manual P/N: 57-10009D / 57-10009R

Make: Jeep	Model: Grand Cherokee Trackhawk	Year: 2019-2021	Engine: V8-6.2L(sc)
Make: Dodge	Model: Durango	Year: 2021	Engine: V8-6.2L(sc)
Make: Dodge	Model: Durango	Year: 2023	Engine: V8-6.2L(sc)



- Please read the entire instruction manual before proceeding.
- Ensure all components listed are present.
- If you are missing any of the components, call customer support at 951-493-7185.
- Ensure you have all necessary tools before proceeding.
- Do not attempt to work on your vehicle when the engine is hot.
- Disconnect the negative battery terminal before proceeding.
- Retain factory parts for future use.

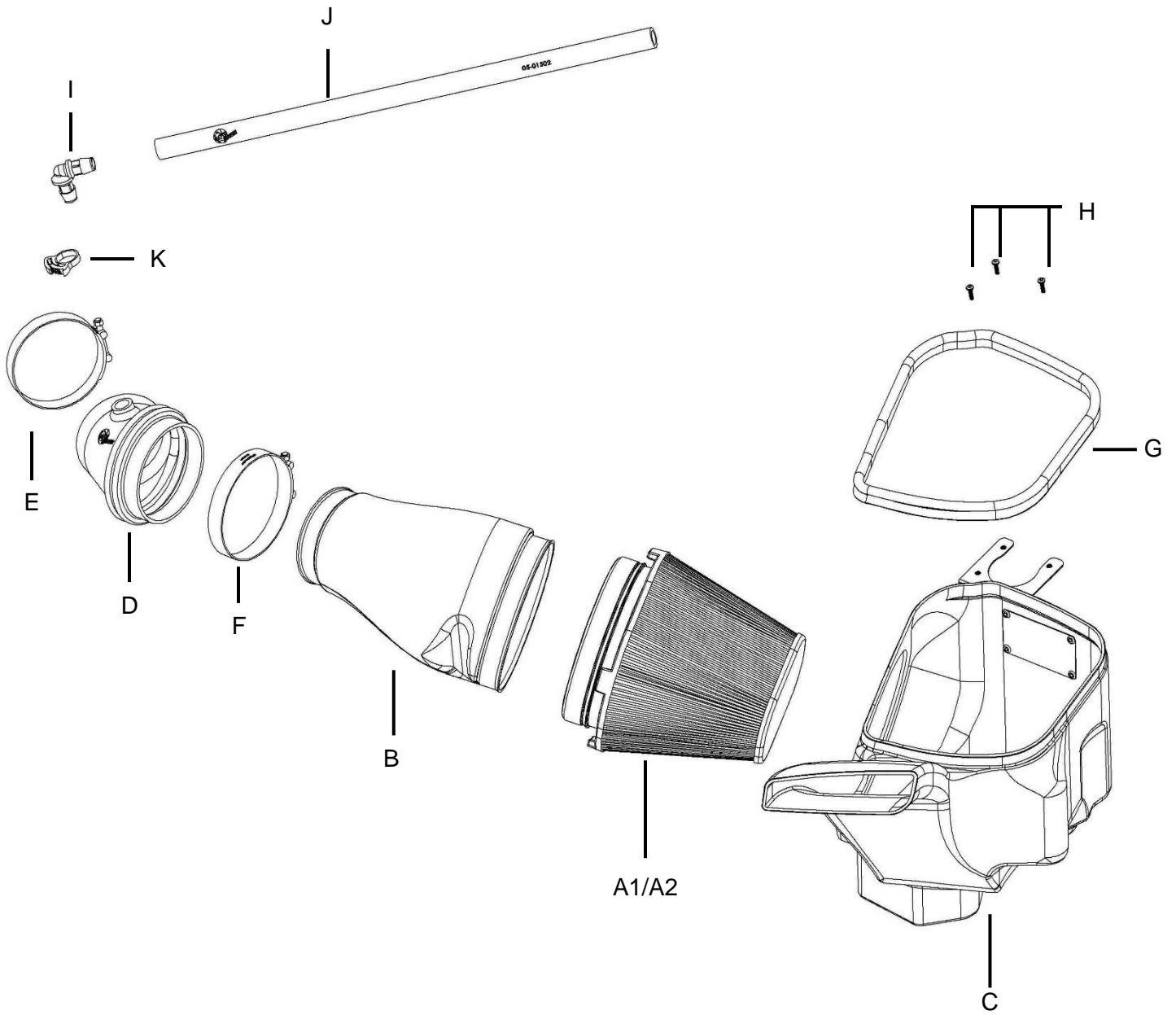
Label	Qty.	Description	Part Number
A1	1	Air Filter (Pro DRY S)	21-90112
A2	1	Air Filter (Pro 5R)	24-90112
B	1	Tube, Carbon Fiber	05-5710002C1
C	1	Housing	05-5710009B2
D	1	Coupling, Silicone Bellow: (3.9"x4.35")ID x 30Deg	05-01495
E	1	Clamp, T-bolt (4-1/16" - 4-3/8") (SS)	03-50262
F	1	Clamp, T-bolt (4-9/16" - 4-7/8") (SS)	03-50319
G	1	Seal, Trim: 3/4" Bulb, 32"Length	05-01507
H	3	Screw, M4	03-50490
I	1	Fitting, Elbow	03-50165
J	1	Hose, 23" Length	05-01502
K	1	Clamp, Easy-Install Snap-Grip	03-50648

Installation will require the following tools:

8mm and 11mm nut driver or socket, socket wrench, flat-head screwdriver, T20 torx bit, box cutter or knife, pliers, and panel popper.

Warranty information available at <https://afepower.com/contact#warranty>.

Emissions Disclaimer: This product is not currently CARB exempt and is not available for purchase in California or for use on any vehicle registered with the California Department of Motor Vehicles.



**Figure A****Refer to Figure A for Steps 1-2**

Step 1: Disconnect the temp sensor ①.

Step 2: Using an 8mm nut driver, loosen the hose clamps at the throttle body ②.

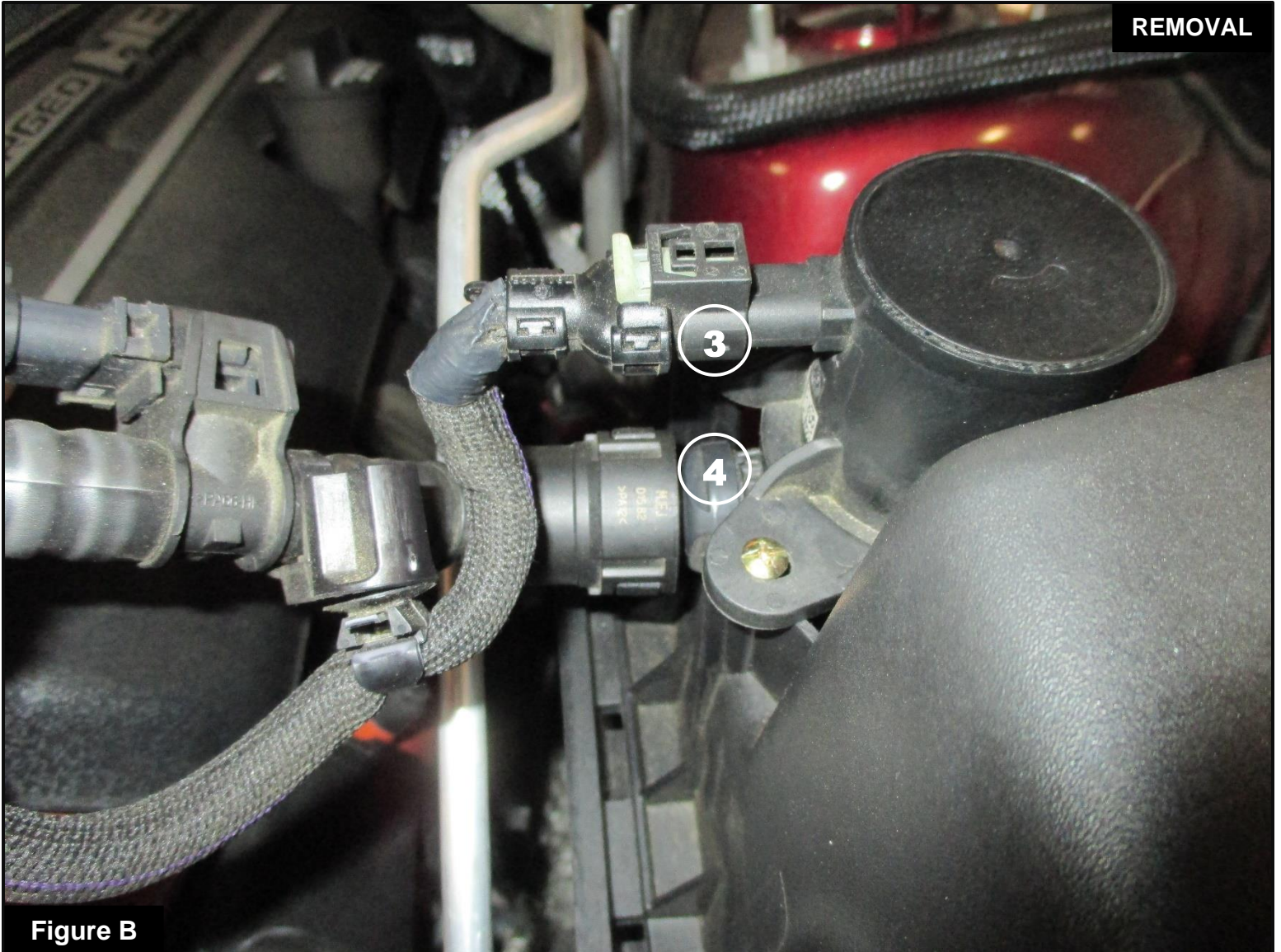


Figure B

Refer to Figure B for Step 3

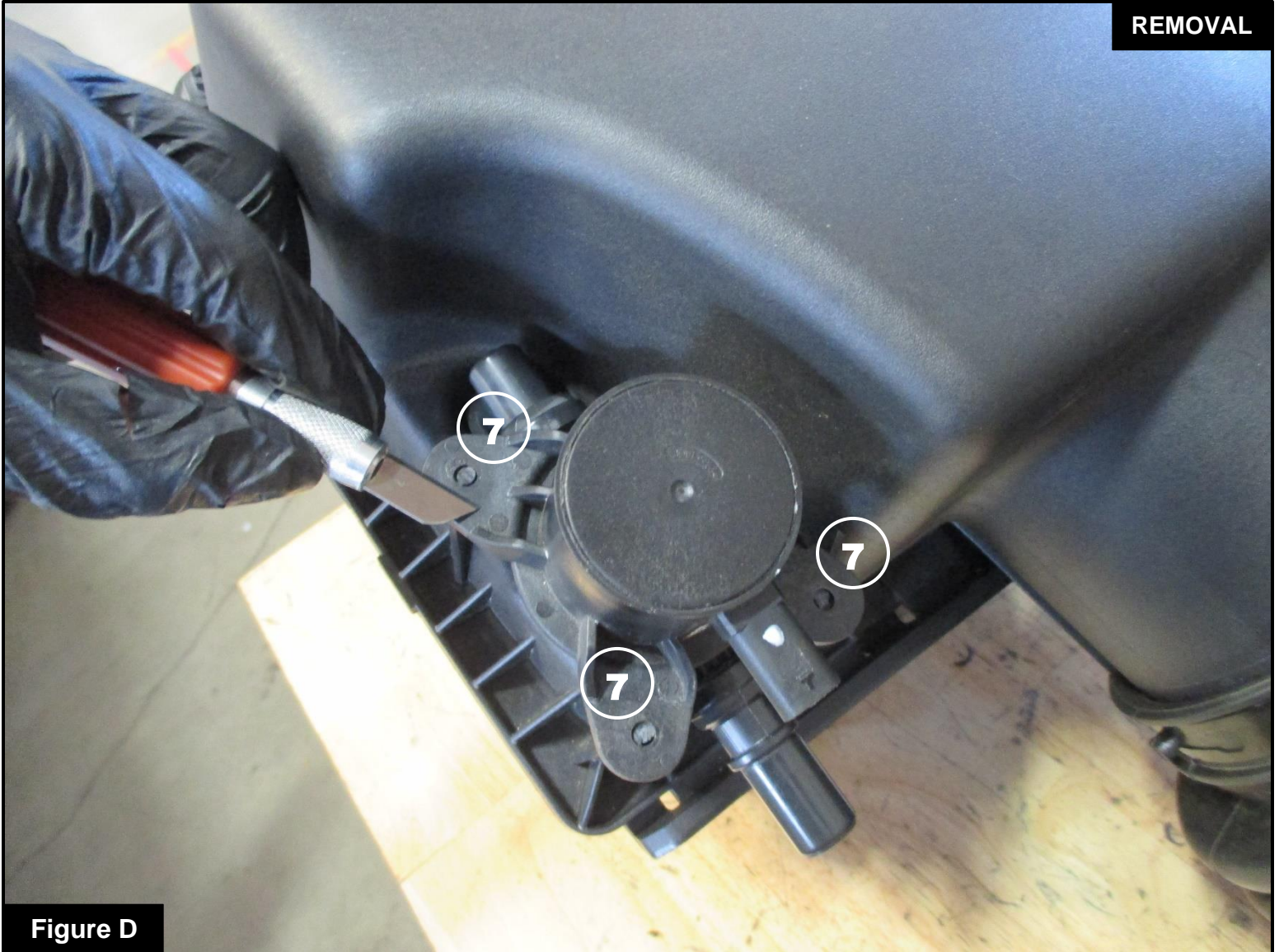
Step 3: Carefully, disconnect the sensor harness (3) and the crankcase breather line (4) from the MUA (multi-air unit actuator).



Refer to Figure C for Steps 4-5

Step 4: Remove the factory block off plate. Use a panel popper to remove the two (2) pins (5) and three (3) clips from the factory trim seal (6).

Step 5: Remove the factory intake. Carefully, pull the factory intake tube away from the throttle body and pull up on the factory airbox.

**Figure D****Refer to Figure D for Step 6**

Step 6: Remove the MUA from the factory airbox. Carefully, using a blade or knife, trim the three (3) plastic pins to detach the MUA from the factory airbox (7).



Figure E

Refer to Figure E for Step 7

Step 7: Transfer the three (3) factory grommets from the factory airbox to the aFe Power housing (8).

**Figure F****Refer to Figure F for Steps 8-10**

Step 8: Transfer the MUA to the bracket on the aFe Power housing and attach using the three (3) supplied M4 screws (9).

Step 9: Install the supplied air filter into the aFe Power housing (10). Place the air filter into the large opening at the top, then slip the air filter mouth into the oval opening on the aFe Power housing, making sure the air filter's lip locks into place.

Step 10: Install the supplied trim seal on the top edge of the aFe Power housing (11).

**FIGURE G****Refer to Figure G for Step 11**

Step 11: Attach the supplied hose to the MUA. Make sure to slip the supplied hose over the entire MUA port, for a full seal (12).

**Figure H****Refer to Figure H for Step 12**

Step 12: Transfer the temp sensor from the factory intake tube to the carbon fiber aFe Power intake tube (13). Carefully pull up on the sensor to remove from the factory intake. Then, install the sensor into the carbon fiber aFe Power tube by pushing it into the fitting and rotating clockwise quarter-turn, keeping it from sliding out.

**Figure I****Refer to Figure I for Steps 13-14**

Step 13: Insert the carbon fiber aFe Power intake tube into the pre-assembled aFe Power housing and air filter (14). Do not tighten the clamp at this time.

Step 14: Insert the supplied elbow fitting to the other end of the supplied hose (15).



Figure J

Refer to Figure J for Step 15

Step 15: Install the supplied coupling and clamps onto the throttle body (16). Do not tighten the clamps.

**Figure K****Refer to Figure K for Step 16**

Step 16: Inspect the sensor located on the driver's side strut tower. If the sensor is not orientated such as the sensor in Figure K, carefully rotate it to match the sensor in this image (17).

**Figure L****Refer to Figure L for Steps 17-20**

Step 17: Install the assembled aFe Power intake into the engine bay by gently pushing the housing in to the three (3) mounting pins. Then, slide the carbon fiber aFe Power intake tube into the coupling at the throttle body.

Step 18: Adjust the carbon fiber aFe Power intake tube and coupling, then tighten all three (3) clamps.

Step 19: Connect the temp sensor harness to the temp sensor (18).

Step 20: Insert the open end of the fitting and hose to the coupling and tighten with the supplied clamp (19).

**Figure M****Refer to Figure M for Steps 21**

Step 21: Press the crankcase breather line into the MUA **20**. Then, connect the sensor harness to the MUA **21**.



Figure N

Refer to Figure N for Steps 22-23

Step 22: Re-attach the factory trim seal from **Step 4** (22) and into the aFe Power housing.

Step 23: Make sure all components and connections are secure. Your installation is now complete. Thank you for choosing aFe Power!

NOTE: Check all bolts, clamps, and connectors after 100-200 miles.



Page left blank intentionally.



Page left blank intentionally.



advanced FLOW engineering, inc.

Corona, CA 92879

<https://afepower.com/contact>