

advanced FLOW engineering Takeda Momentum Cold Air Intake System

Instruction Manual P/N: 56-70015D / 56-70015R

Make: Toyota

Model: Supra (A90)

Year: 2020

Engine: L6-3.0L (t) B58



- Please read the entire instruction manual before proceeding.
- Ensure all components listed are present.
- For technical support please call at 951-493-7185.
- Ensure you have all necessary tools before proceeding.
- Do not attempt to work on your vehicle when the engine is hot.
- Retain factory parts for future use.

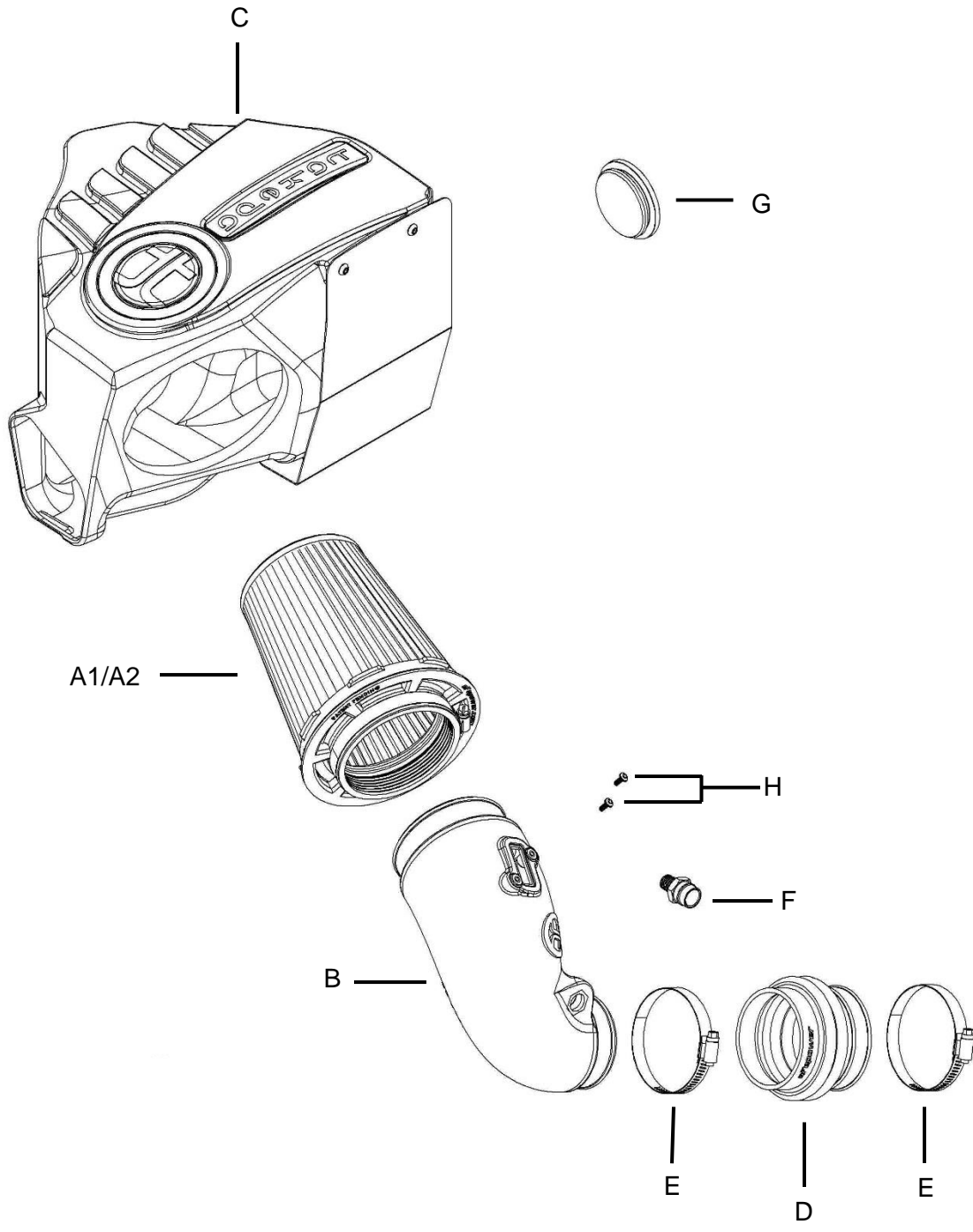
Label	Qty.	Description	Part Number
A1	1	Air Filter (Pro DRY S)	21-91113
A2	1	Air Filter (Pro 5R)	24-91113
B	1	Tube	05-5670015B1
C	1	Housing	05-5670015B2
D	1	Coupling, Silicone Bellow: 3.1"ID x 3"L	05-01525
E	2	Clamp, #048	03-50007
F	1	Fitting, Aluminum	03-50644
G	1	Auxiliary Plug	05-01527
H	2	Screw, M4	03-50490

Installation will require the following tools:

6mm and 8mm nut drivers or sockets, socket wrench, flat-head screwdriver, T20 torx bit, and panel popper.

Warranty information available at <https://afepower.com/contact#warranty>.

Emissions Disclaimer: This product is not currently CARB exempt and is not available for purchase in California or for use on any vehicle registered with the California Department of Motor Vehicles.



**Figure A****Refer to Figure A for Steps 1-4**

Step 1: If the vehicle is equipped with a brace above the factory intake, remove the brace.

Step 2: Disconnect the temp sensor harness ①.

Step 3: Using a 6mm nut driver, loosen the hose clamp at the factory airbox ②. Then, slide the factory intake tube away from the factory airbox.

Step 4: To remove the factory airbox, carefully pull up on the factory airbox.

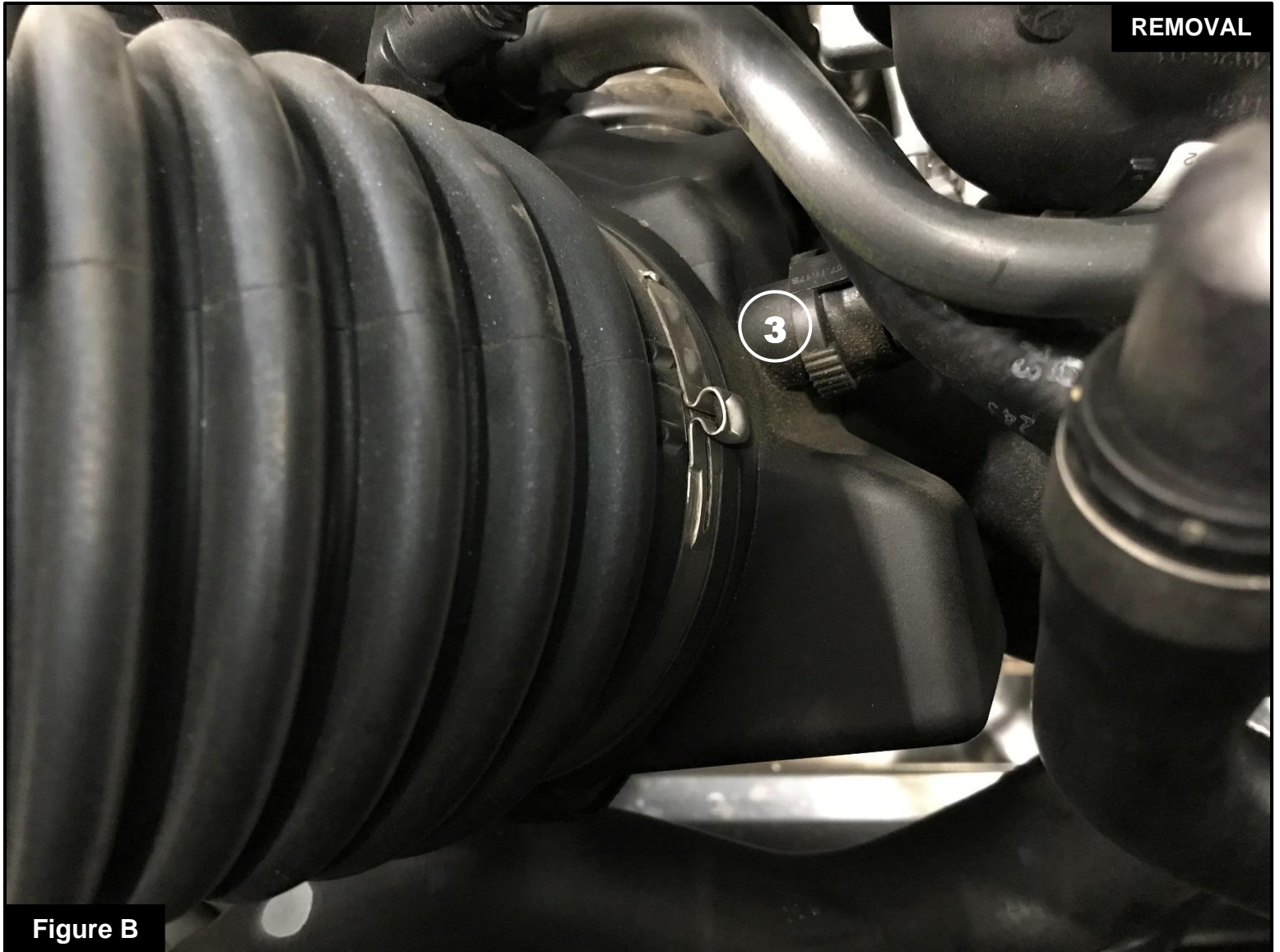
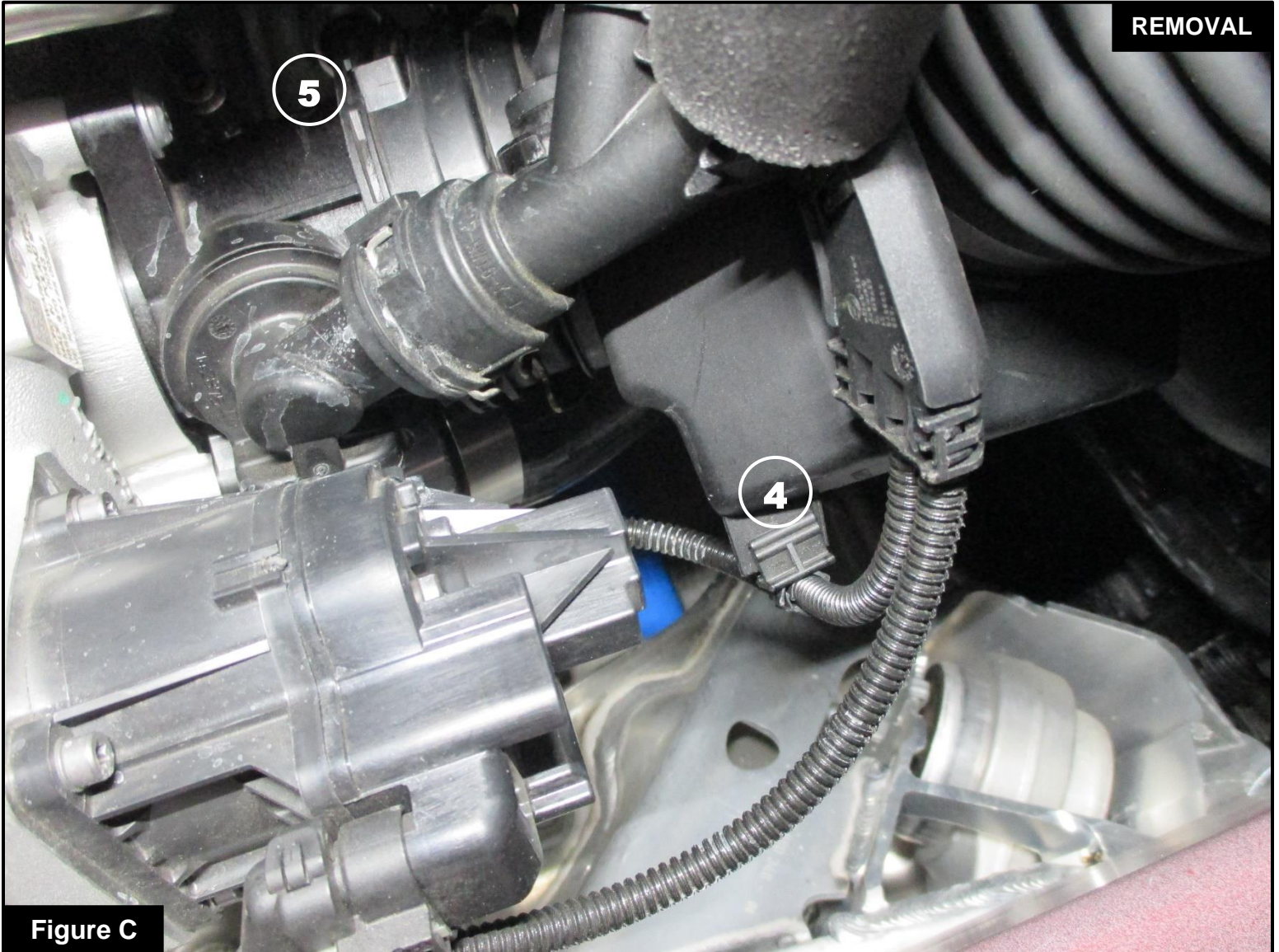


Figure B

Refer to Figure B for Step 5

Step 5: Disconnect the crankcase breather line ③.

**Figure C****Refer to Figure B for Steps 6-7**

Step 6: Next, detach the harness from the factory intake tube (4).

Step 7: Finally, carefully remove the retention ring holding the factory intake tube to the turbo inlet (5) and pull the factory intake tube out of the vehicle.

**Figure D****Refer to Figure D for Steps 8-9**

Step 8: Transfer the temp sensor from the factory airbox to the Takeda intake tube (6) and attach with the supplied screws.

Step 9: Install the supplied NPT fitting into the Takeda intake tube (7).

NOTE: This is an NPT fitting. The small gap between the tube and hex is normal.



Figure E

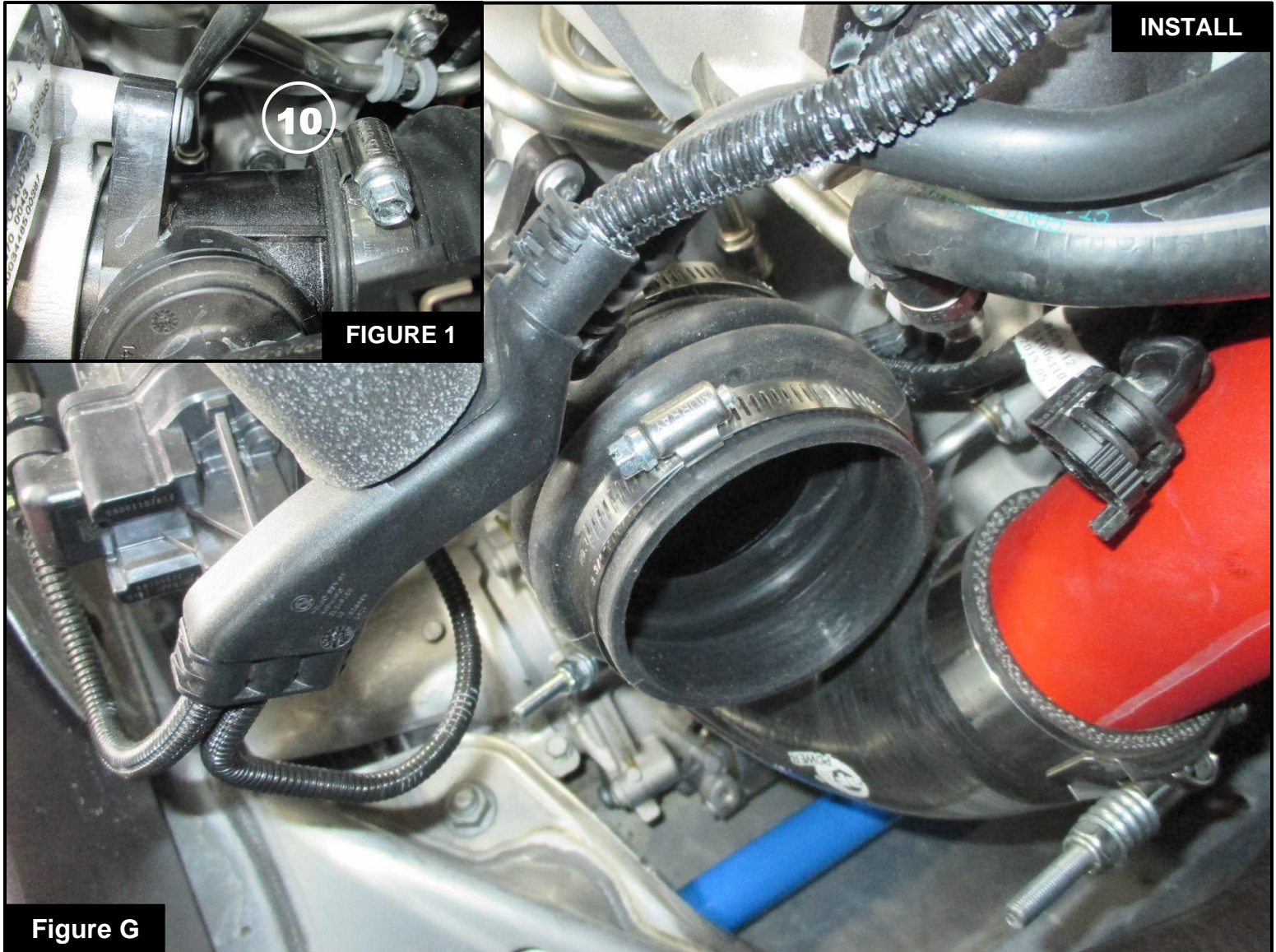
Refer to Figure E for Step 10

Step 10: Install the supplied air filter into the Takeda housing (8).

**Figure F****Refer to Figure F for Step 11**

Step 11: This kit includes an optional plug to close off the rear auxiliary air inlet. Install the plug if you wish to close it off, to only capture cold air from the front (9).

NOTE: Without the plug installed, the Takeda intake will capture the maximum air available. More airflow offers more power. Some of this air is picked up from inside the engine compartment and could be warmer air. Warmer air will affect the performance of the vehicle. The plug installed on the housing will block off any hot engine air entering the housing to make sure the coolest air available is directed into the engine. The plug will also reduce the noise of the intake.



Refer to Figure G for Steps 12-14

- Step 12: Install the supplied coupling onto the turbo inlet and place the supplied clamps onto the coupling.
- Step 13: Make sure to have the end of the coupling sit flush to the rim of the turbo inlet. This is to make sure the interior lip of the coupling sits correctly in the groove of the turbo inlet. See Figure 1(10).
- Step 14: When the coupling sits comfortably on the turbo inlet, tighten the clamp between the coupling and the turbo inlet.



Figure H

Refer to Figure H for Steps 15-17

Step 15: Install the Takeda intake tube into the coupling. Do not tighten the clamp at this time.

Step 16: Connect the crankcase breather line to the Takeda intake tube (11).

Step 17: Make sure the Takeda intake tube and crackcase line sit comfortably, then tighten the clamp between the Takeda intake tube and the coupling.

**Figure I****Refer to Figure I for Steps 18-22**

Step 18: Install the assembled Takeda housing and air filter into the engine bay by pressing down firmly into the three (3) factory mounting grommets.

Step 19: Slip the Takeda tube into the air filter and tighten the clamp between the Takeda tube and air filter.

Step 20: Connect the temp sensor to the sensor harness (12).

Step 21: If the vehicle is equipped with a brace, re-install the brace from **Step 1**.

Step 22: Make sure all components and connections are secure. Your installation is now complete. Thank you for choosing Takeda!

NOTE: Check all bolts, clamps, and connectors after 100-200 miles.



Page left blank intentionally.



Page left blank intentionally.



Page left blank intentionally.



advanced FLOW engineering, inc.

Corona, CA 92879

<https://afepower.com/contact>