



## **BLACK SERIES AIR INTAKE SYSTEM**

---



***advanced FLOW engineering***

Dynamic Air Scoop D.A.S.

**Instruction Manual** P/N: 58-10005SC

Make: BMW

Model: M5 (F90)

Year: 2018-2023

Engine: V8-4.4L(tt)

(Will not fit vehicles equipped with Night Vision option)



- Please read the entire instruction manual before proceeding.
- Ensure all components listed are present.
- If you are missing any of the components, call customer support at 951-493-7185.
- Ensure you have all necessary tools before proceeding.
- Do not attempt to work on your vehicle when the engine is hot.
- Retain factory parts for future use.

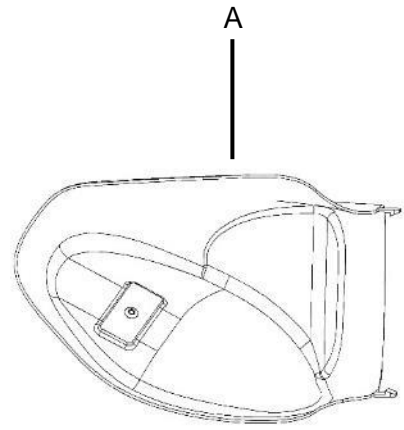
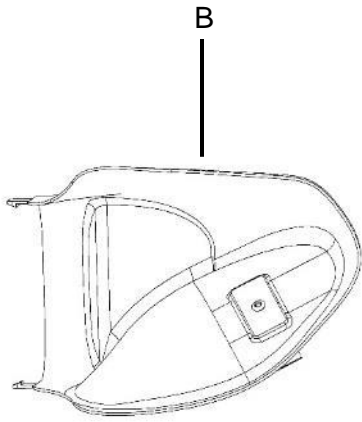
Label	Qty.	Description	Part Number
A	1	Carbon Fiber Scoop, Driver Side	05-5810005C7
B	1	Carbon Fiber Scoop, Passenger Side	05-5810005C8

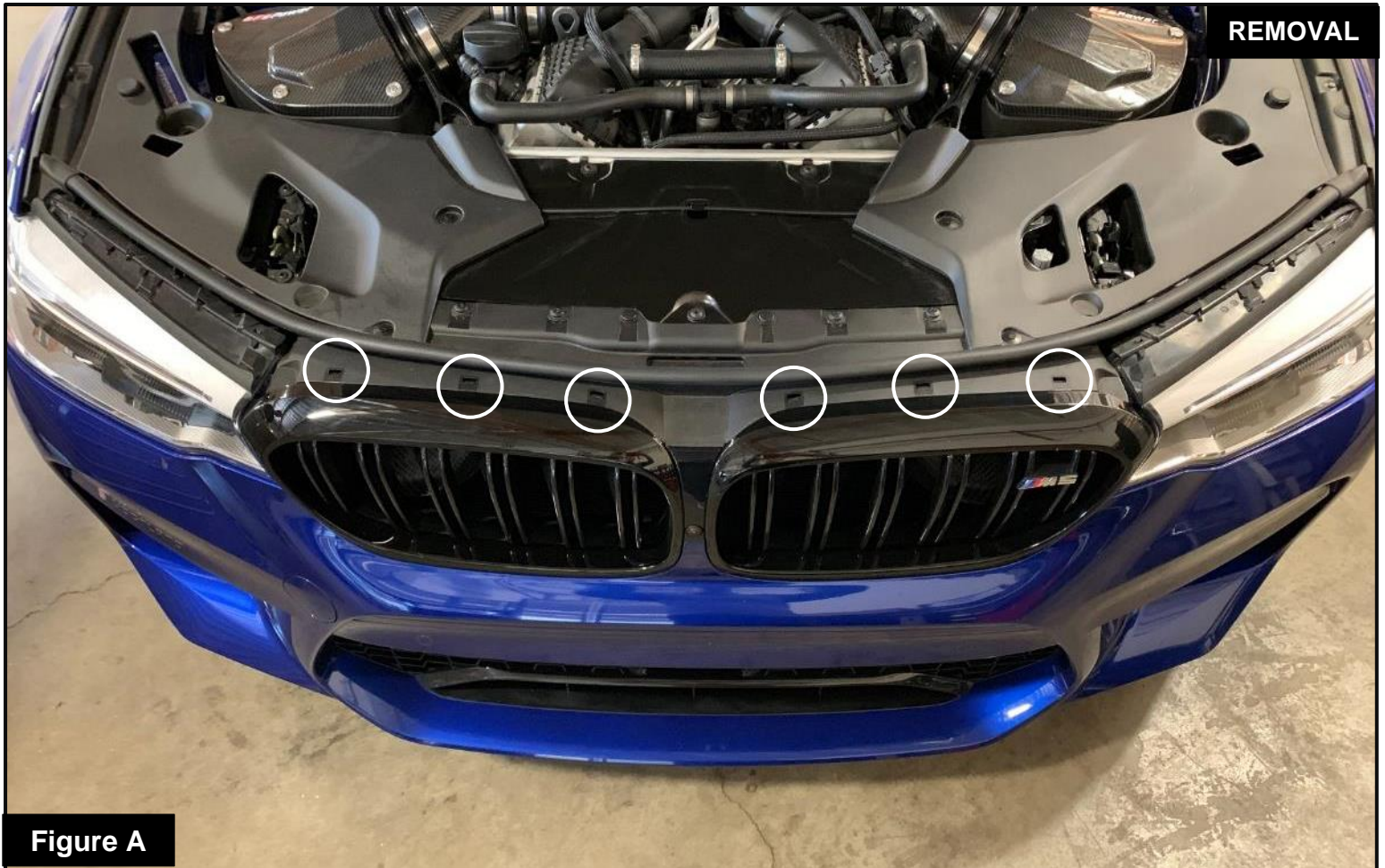
**Installation will require the following tools:**

Plastic pick tool, small flat-head screwdriver.

Warranty Information available at: <https://afepower.com/contact#warranty>

**Emissions Disclaimer:** This product is not currently CARB exempt and is not available for purchase in California or for use on any vehicle registered with the California Department of Motor Vehicles





**Figure A**

**Refer to Figure A for Steps 1-3**

Step 1: Open the hood of the vehicle.

Step 2: Using a plastic pick tool, press on the three tabs along the top of the driver side front grille. At the same time pull the grille towards you with uniform pressure to take it out.

Step 3: Repeat this operation to take off the passenger side grille.

**Figure B****Refer to Figure B for Step 4**

Step 4: Remove the driver side factory inlet duct by pulling on it. You may need to use a flat head screwdriver to unclip it.



Figure C

**Refer to Figure C for Step 5**

Step 5: Remove the passenger side inlet duct the same way.

**Figure D****Refer to Figure D for Steps 6**

Step 6: Install the passenger side aFe POWER air scoop over the strut bar then rotate it and guide the clips to lock into the factory air inlet duct.



Figure E

**Refer to Figure E for Steps 7**

Step 7: Install the driver side scoop the same way.





Figure F

**Refer to Figure F for Step 8-9**

Step 8: Make sure the scoops are correctly secured, then re-install the factory grilles.

Step 9: Your installation is now complete. Thanks for choosing aFe POWER.



**PAGE LEFT BLANK INTENTIONALLY**



**PAGE LEFT BLANK INTENTIONALLY**



***advanced FLOW engineering, inc.***

252 Granite Street Corona, CA 92879

<https://afepower.com/contact>