



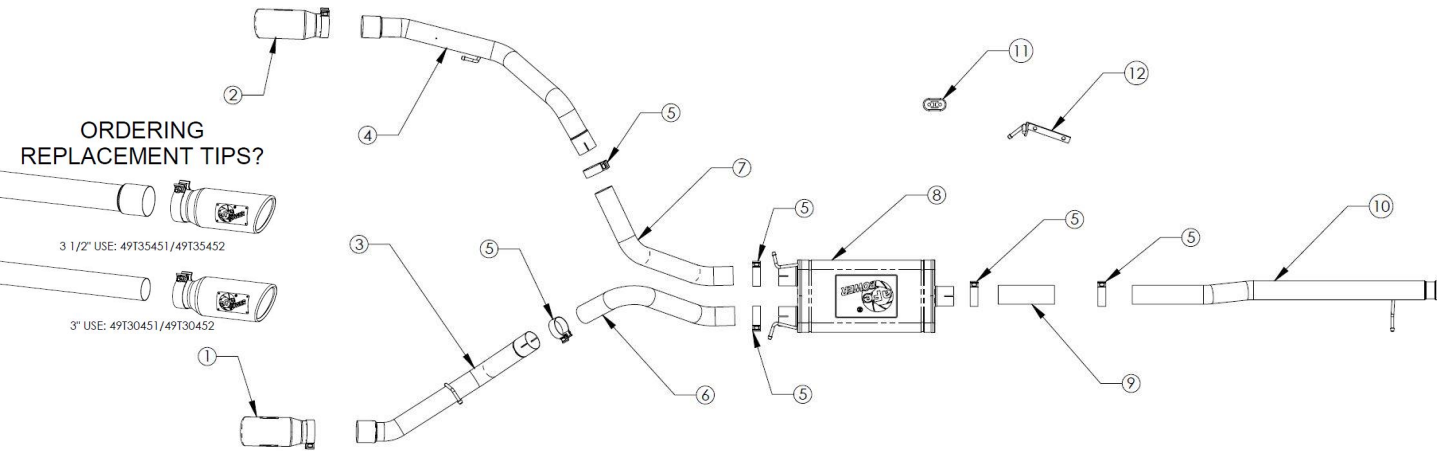
INSTALLATION INSTRUCTIONS

Cat-Back Exhaust

MAKE: Chevrolet
MODEL: Silverado
YEAR: 2009-2018 & 2019 Classic
ENGINE: V6-4.3L V8-4.8L/5.3L

49-44112-B
 49-44112-P

**NOTE: THIS SYSTEM WILL ONLY FIT
 CREW-CAB/SHORT-BED & CREW-CAB/LONG-BED**



ORDERING REPLACEMENT TIPS?

3 1/2" USE: 49T30451/49T30452

3" USE: 49T30451/49T30452

Item	Description	Part Number	Quantity
1	MACH Force-Xp 4" Black Exhaust Tip (Right)	49T30452-B12	1
	MACH Force-Xp 4" Polished Exh Tip (Right)	49T30452-P12	
2	MACH Force-Xp 4" Black Exhaust Tip (Left)	49T30451-B12	1
	MACH Force-Xp 4" Polished Exh Tip (Left)	49T30451-P12	
3	Right Tail Pipe	05-144714	1
4	Left Tailpipe	05-144713	1
5	Clamp, Band: 3"	05-41055	6
6	Right Over-Axle	05-144712	1
7	Left Over-Axle Tailpipe	05-144075	1
8	Muffler Assembly	05-144073	1
9	3" x 13" Extension Pipe	05-144072	1
10	Mid-Pipe	05-144071	1
11	Exhaust Isolation Mount	05-46050	1
12	Tailpipe Bracket	05-46154	1

aFe POWER recommends professional installation on this product. Thoroughly inspect the aFe POWER exhaust system to make sure there is no damage from shipping (if damage is noted, immediately contact aFe POWER customer service). Allow time for your vehicle to cool down prior to installation. When working on your vehicle proceed with caution. Wear protective safety equipment; eye goggles and gloves to ensure a safe installation.

Install band clamps to proper torque specifications of 40-45 ft-lb.





INSTALLATION INSTRUCTIONS

MAKE: Chevrolet
MODEL: Silverado
YEAR: 2009-2018 & 2019 Classic
ENGINE: V6-4.3L V8-4.8L/5.3L

Cat-Back Exhaust

49-44112-B

49-44112-P

**NOTE: THIS SYSTEM WILL ONLY FIT
CREW-CAB/SHORT-BED & CREW-CAB/LONG-BED**

1. **(Read instructions prior to installation.)** It is recommended to not fully tighten the exhaust until it has been fully installed. Leave loose for adjustability.
2. Secure vehicle on jack stands (refer to your manual for specified jack stand positions).
3. For faster installation, spread out the parts of the exhaust alongside your vehicle as shown in the diagram above.
4. Secure the stock exhaust with jack/stands.
5. Remove one piece stock exhaust. Take caution not to damage the factory front flange bolts and isolation mounts as they will be reused.
6. Install the flared mid-pipe; it will require reusing the original OE band clamp. You will have to release the locking tab with a small screwdriver. Place OE band clamp over mid-pipe but do not fully tighten the clamp down.

Note: Extension pipe may be required

CC/SB, 5.75 Ft. Bed, 143.5" Wheelbase No extension pipe required

CC/LB, 6.5 Ft. Bed, 153.5" Wheelbase 13" Extension pipe required (05-144072)

7. Slide the front part of the muffler assembly into the rear of the mid-pipe or extension pipe depending on your wheelbase. Then slip the rear hangers of the muffler into the OE rubber isolations.
8. Install the right over-axle, do not fully tighten the band clamp.
9. Now slip the right tailpipe into the right over-axle tube, then slide the hanger into the hanger bracket and rubber isolation mount provided. Do not fully tighten down band clamp.
10. Now install the tailpipe bracket included with the kit as shown in figure 1 above. Unbolt the OE nuts & bolts using a 19m deep socket on the bottom side with a 19m wrench on the top. Fully tighten the tailpipe bracket to the frame using the OE nuts and bolts.
11. Install the left over-axle, do not fully tighten the band clamp.
12. Now slip the left tailpipe into the left over-axle tube, then slide the hanger into the tailpipe bracket and rubber isolation mount provided. Do not fully tighten down band clamp.
13. Install both exhaust tips into the tailpipes. Adjust the tips to desired position. Do not fully tighten the tips yet.
14. Position and align the entire aFe power exhaust system. Ensure that all the components of the aFe POWER exhaust system are aligned and are at a safe clearance from all wires, hoses, brake lines, body parts, and tires. If needed, zip ties are included with your kit to create additional clearances for the left tailpipe, axles breather, and brake hoses.
15. Start from the front of the aFe exhaust system and evenly tighten all clamps and fasteners.
16. Start the vehicle and check for any leaks. If any leaks are found, determine cause and repair as necessary.
17. Remove vehicle from jacks stands.
18. It is recommended to re-tighten all clamps and hardware after 50-100 miles.