

***advanced FLOW engineering***

Takeda Momentum Cold Air Intake System

**Instruction Manual** P/N: 56-70012D / 56-70012R

Make: Toyota

Model: Tacoma

Year: 2016-2020

Engine: V6-3.5L



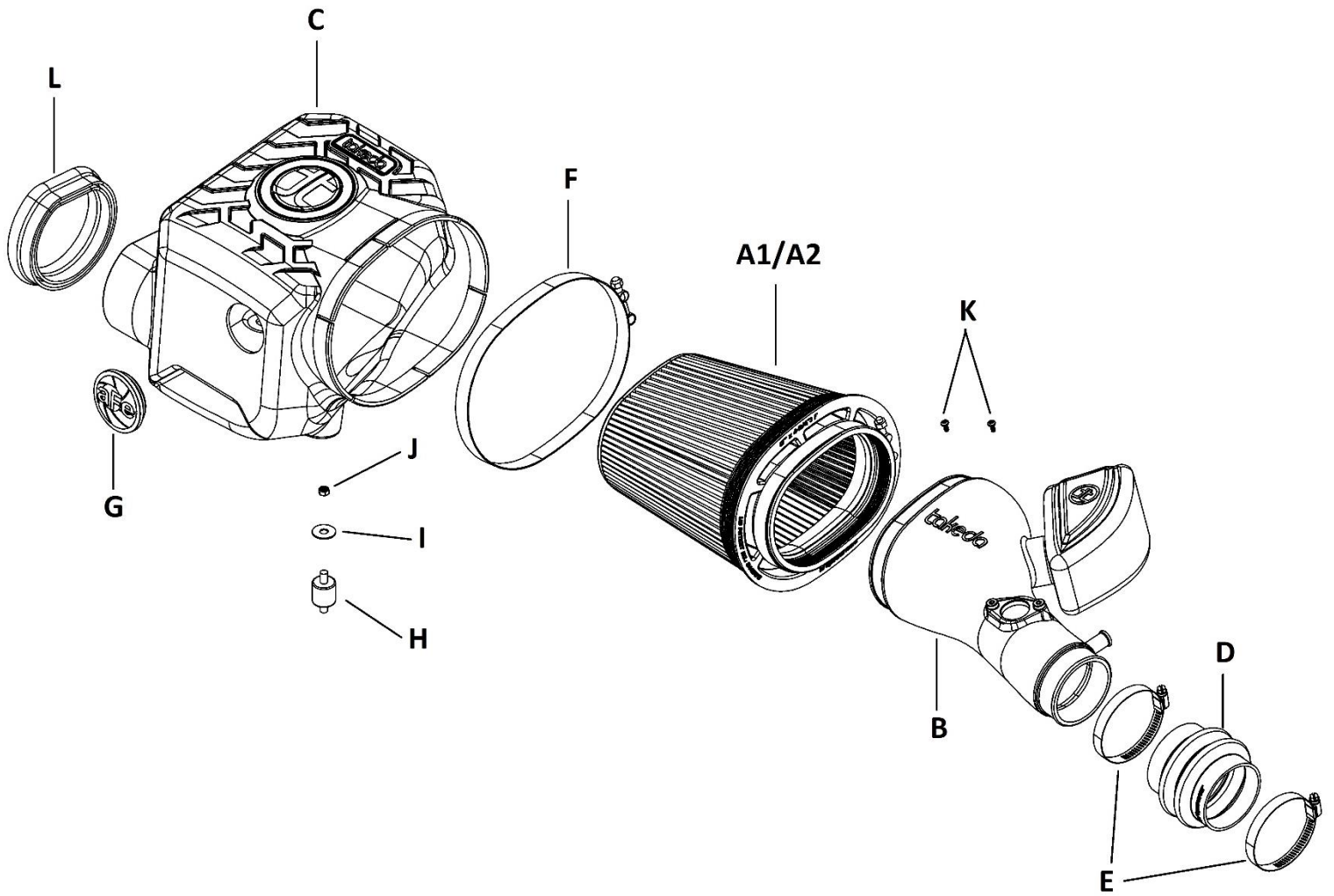
- Please read the entire instruction manual before proceeding.
- Ensure all components listed are present.
- If you are missing any of the components, call customer support at 951-493-7185.
- Ensure you have all necessary tools before proceeding.
- Do not attempt to work on your vehicle when the engine is hot.
- Retain factory parts for future use.

Label	Qty.	Description	Part Number
A1	1	Air Filter (Pro 5R)	24-91123
A2	1	Air Filter (Pro DRY S)	21-91123
B	1	Tube	05-5670012B1
C	1	Housing	05-5670012B2
D	1	Coupling, Silicone Bellow: (3"x3-1/8")IDx3-1/2"L	05-01470R
E	2	Clamp, 052 (2-13/16" – 3-3/4")	03-50008
F	1	Clamp, T-Bolt (8-5/16" – 8-5/8")	03-50267
G	1	Plug, Silicone	05-01527
H	1	Isolation Mount, M8x1x1	03-50063
I	1	Washer, Flat	03-50065
J	1	Nut, Hex Nylon Lock: M8	03-50244
K	2	Screw, Torx M4	03-50491
L	1	Seal, Trim: 3/4" Bulb (14"L)	05-01507

**Installation will require the following tools:**

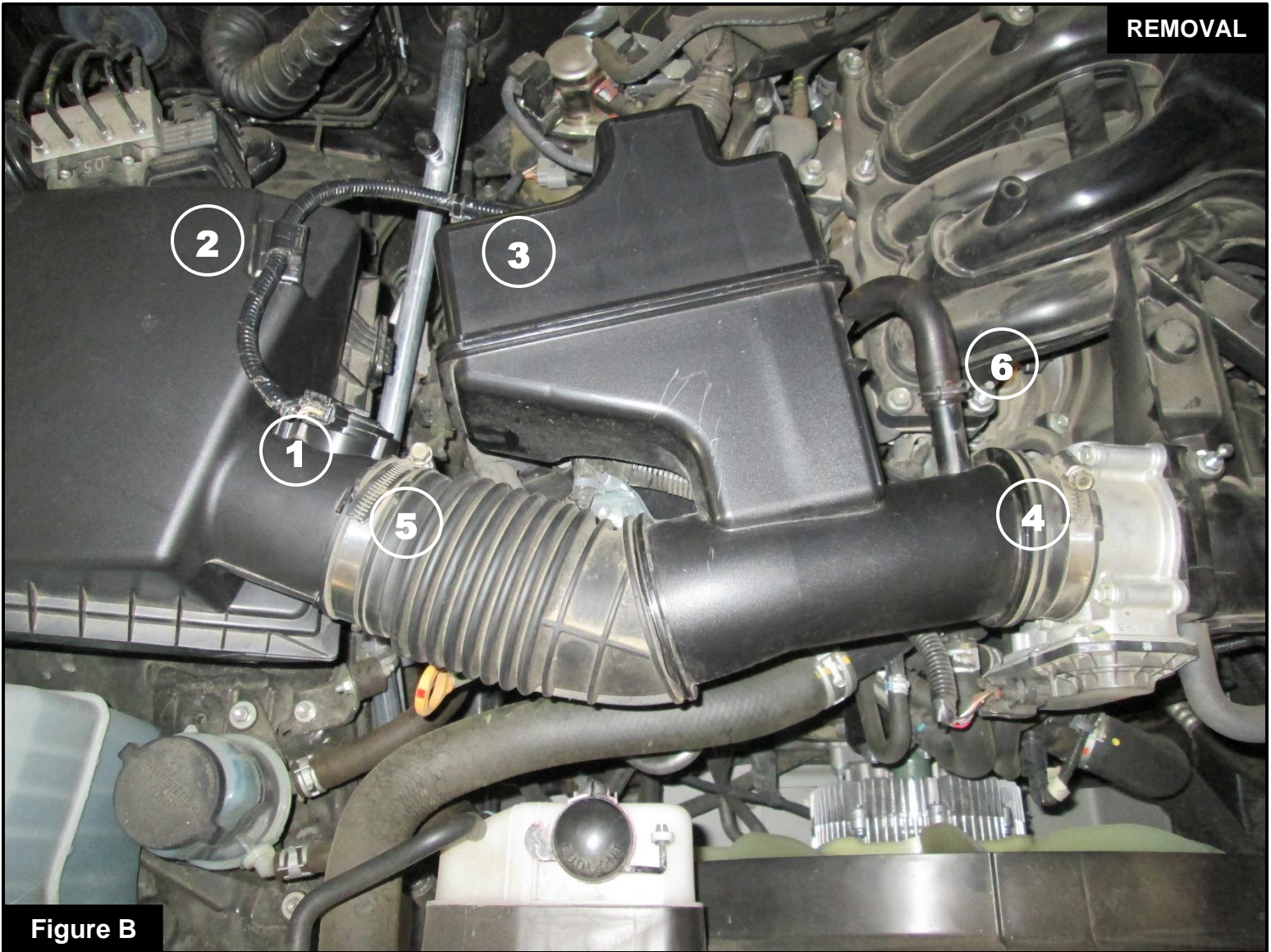
T-20 Torx driver, #1 Phillips screwdriver, 8mm nut driver, 11mm deep socket and driver, 12mm & 13mm sockets and driver.

**Emissions Disclaimer:** This product is not currently CARB exempt and is not available for purchase in California or for use on any vehicle registered with the California Department of Motor Vehicles.



**Figure A****Refer to Figure A for Step 1**

Step 1: Remove the engine cover by gently pulling up then away from the vehicle to disengage from the mounting grommets.

**Figure B****Refer to Figure B for Steps 2-5**

Step 2: Disconnect the Mass Airflow Sensor wire harness (1) and unclip the wire loom from the lid of the factory airbox (2) and back side of the resonance chamber (3).

Step 3: Using a 10mm nut driver, loosen the clamps at the throttle body (4) and factory airbox (5).

Step 4: Disconnect the CCV hose (6) from the factory intake tube.

Step 5: Remove the factory intake tube.



**Refer to Figure C for Step 6**

Step 6: Remove the lid from the factory airbox by disengaging the two clips (7) on the front and rear and pulling up towards the fender. Remove the air filter.



Figure D

**Refer to Figure D for Step 7**

Step 7: Using a 12mm socket and driver, remove the 3 screws (8) securing the factory airbox to the vehicle and set aside for later use. Remove the bottom half of the factory airbox from the vehicle.



**Refer to Figure E for Step 8**

Step 8: Remove 2 steel sleeves and rubber grommets ⑨ from the bottom of the factory airbox and reinstall them into the corresponding holes on the aFe airbox as shown.



REMOVAL



Figure F

**Refer to Figure F for Step 9**

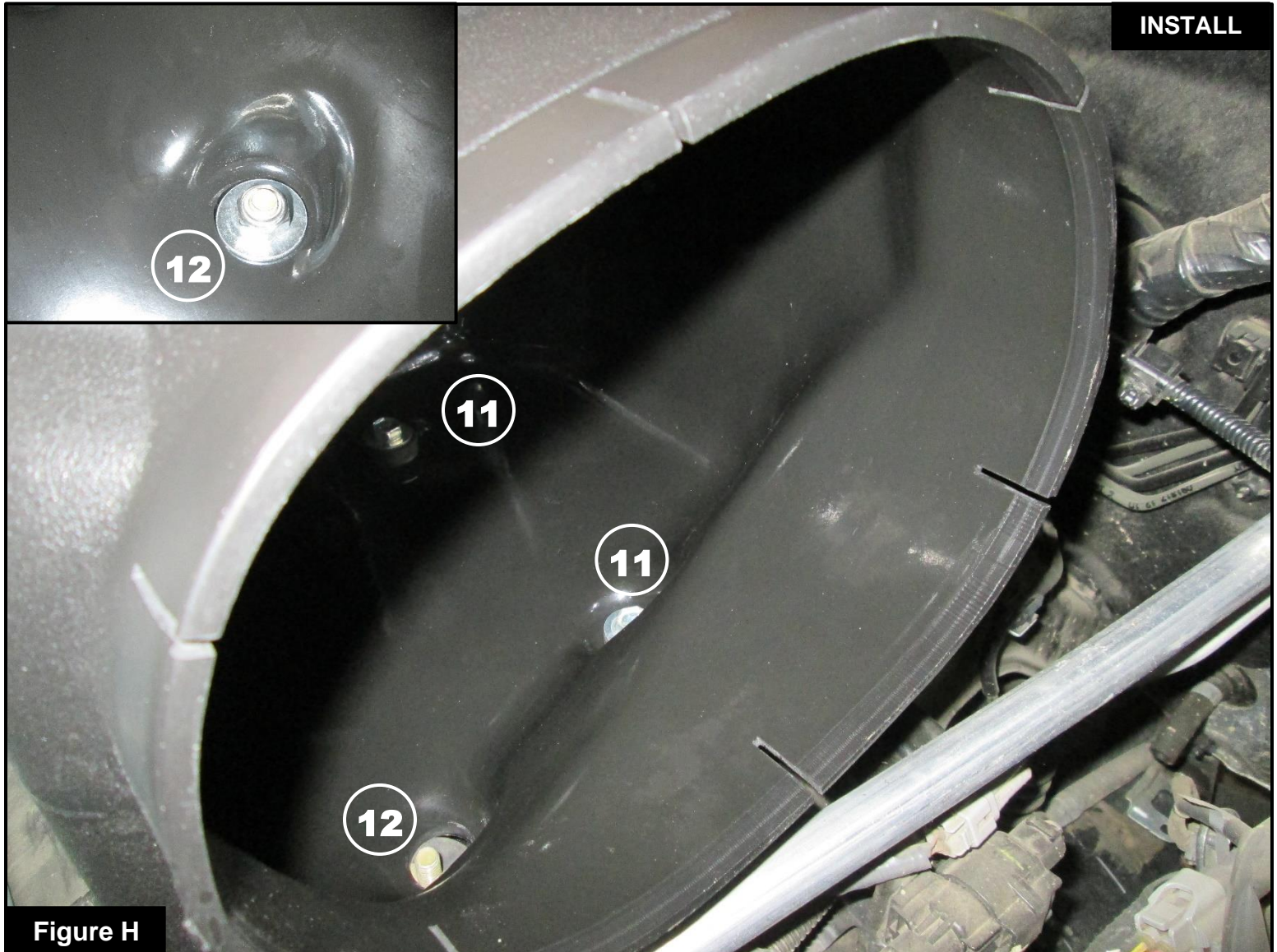
Step 9: Install the supplied trim seal along the inlet of your aFe airbox as shown. Trim to fit.



Figure G

**Refer to Figure G for Step 10**

Step 10: Install the supplied M8 isolation mount ⑩ into the front most mounting location in the vehicle as shown.



**Refer to Figure H for Steps 11-12**

Step 11: Install the aFe airbox into the vehicle by lining up the isolation mount stud into the front most mounting location, then reusing the 2 screws (11) removed in step 7 to secure the airbox at the remaining mounting points. Tighten using a 12mm socket and driver.

Step 12: Use the supplied washer and M8 lock nut (12) to secure the airbox at the isolation mount using a 13mm socket and driver to tighten.

**Figure I****Refer to Figure I for Step 13**

Step 13: Using a #1 Philips screwdriver, remove the Mass Airflow Sensor (13) from the top of the factory airbox and reinstall it into the aFe intake tube using the supplied M4 screws and a T20 Torx driver.

**Figure J****Refer to Figure J for Steps 14-15**

Step 14: Install the supplied reducer coupling (14) onto the throttle body with one of the supplied #052 clamps. Lettering on the coupler should be away from the throttle body. Tighten the clamp using an 8mm nut driver.

Step 15: Place the other #052 clamp (15) onto the open end of the coupler and do not tighten.

**Figure K****Refer to Figure K for Steps 16-17**

Step 16: Install the supplied T-bolt clamp (16) onto the aFe airbox as shown. Do not tighten.

Step 17: Install your aFe air filter and clamp (17) into the airbox as shown.

**Figure L****Refer to Figure L for Steps 18-20**

Step 18: Install the aFe intake tube into the vehicle by sliding the tube first into the open coupler at the throttle body, then then into the air filter.

Step 19: Tighten the clamp on the coupler using an 8mm nut driver.

Step 20: Tighten the clamps on the airbox and filter using an 11mm deep socket and driver. Do not overtighten.



Figure M

**Refer to Figure M for Step 21**

Step 21: Reconnect the Mass Airflow Sensor wire harness (18) and the factory CCV hose (19).





**Refer to Figure N for Step 22**

Step 22: To completely seal your intake, install the supplied silicone plug (20) into the opening on the front of the airbox. Best performance is achieved with the plug removed.



Figure O

**Refer to Figure O for Steps 23-24**

Step 23: Reinstall the engine cover.

Step 24: Your installation is now complete. Thank you for choosing aFe POWER!

**NOTE: Check all bolts, clamps, and connectors after 100-200 miles.**



**Page left blank intentionally**



**Page left blank intentionally**



**Page left blank intentionally**



Pro DRY S Air Filter



P/N: 21-91123

Pro 5R Air Filter



P/N: 24-91123

Pro-GUARD 7 Air Filter



P/N: 72-91123

Pre-Filter



P/N: 28-10273

Pro DRY S Restore Kit



P/N: 90-59999

Blue Squeeze Restore Kit



P/N: 90-50501

Gold Squeeze Restore Kit



P/N: 90-50500

Throttle Body Spacer



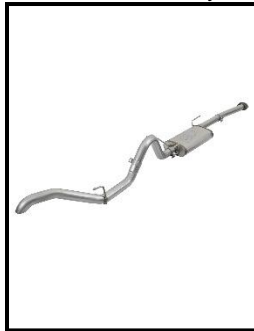
P/N: 46-38010

SPRINT BOOSTER V3



P/N: 77-16505

Cat-Back Exhaust System



P/N: 49-46034

Cat-Back Exhaust System



P/N: 49-46042-B (Blk. Tips)  
49-46042-P (Pol. Tips)

Cat-Back Exhaust System



P/N: 49-46032-B (Blk. Tips)  
49-46032-P (Pol. Tips)

To purchase any of the items above, view airflow charts, dyno graphs, photos, and video; please go to [aFepower.com](http://aFepower.com).



# Warranty

## General Terms:

- aFe warrants their products to be free from manufacturer's defects due to workmanship and material.
- This warranty applies only to the original purchaser of the product and is non-transferrable.
- Proof of purchase of the aFe product is required for all warranty claims.
- Warranty is valid provided aFe instructions for installation and/or cleaning were properly followed.
- Proper maintenance with regular inspections of product is required to insure warranty coverage.
- Damage due to improper installation, abuse, unauthorized repair or alteration is not warranted.
- Incidental or consequential damages or cost, including installation and removal of part, incurred due to failure of aFe product is not covered under this warranty.
- All warranty is limited to the repair and/or replacement of the aFe part. To request Return Goods Authorization ("RGA"), email RGA@afepower.com or call (951)493-7100. Upon receipt of the RGA, you must return the product to the address provided in the RGA, freight prepaid and accompanied with a dated proof of purchase and the RGA. Upon receipt of the defective product and upon verification of proof of purchase, aFe will either repair or replace the defective product within a reasonable time, not to exceed thirty days.

Product Category	P/N Prefix	Warranty duration
Direct OE Replacement Filters	10, 11, 30, 31, 71, 73	Life of the vehicle
Racing Filters	18	1 year
Universal	21, 23, 24, 72, TF	2 years
Air Intake Systems	50, 51, 53, 54, 55, 58, 75, TR, TA, TL, TM	2 years
Exhaust Systems	49	2 years
Intercoolers & Intercooler Tubes	46-2	2 years
Intake Manifolds	46-1	2 years
Differential Cover	46-7	Life of the vehicle
Exhaust Manifolds	46	2 years
Throttle Body Spacers	46-3	2 years
Turbochargers	46-6	2 years*
Fluid Filters	44	90 days
Pre-Filters	28	2 years
Heavy Duty OE Replacement	70	2 years
PowerSports OE Replacement	81, 87	2 years
PowerSports Intake Systems	85	2 years

No other warranty expressed or implied applies nor is any person or advanced FLOW engineering authorized to assume any other warranty. Some States do not allow the exclusion or limitation of incidental or consequential damages or do not allow limitations on how long an implied warranty lasts, so the above limitations or exclusions may not apply to you. This warranty gives you specific legal rights, and you may also have other rights which vary from State to State.

\*See turbocharger warranty for more info



***advanced FLOW engineering, inc.***

252 Granite Street Corona, CA 92879  
TEL: 951.493.7100 • TECH: 951.493.7185  
E-Mail: Tech@aFepower.com

P/N: 06-81264