

advanced FLOW engineering

Cold Air Intake System

Instruction Manual P/N: 53-10010D / 53-10010R

Make: Ford **Model:** F-150 **Year:** 2015-2020 **Engine:** V8-5.0L



- Please read the entire instruction manual before proceeding.
- Ensure all components listed are present.
- If you are missing any of the components, call customer support at 951-493-7185.
- Ensure you have all necessary tools before proceeding.
- Do not attempt to work on your vehicle when the engine is hot.

Retain factory parts for future use.

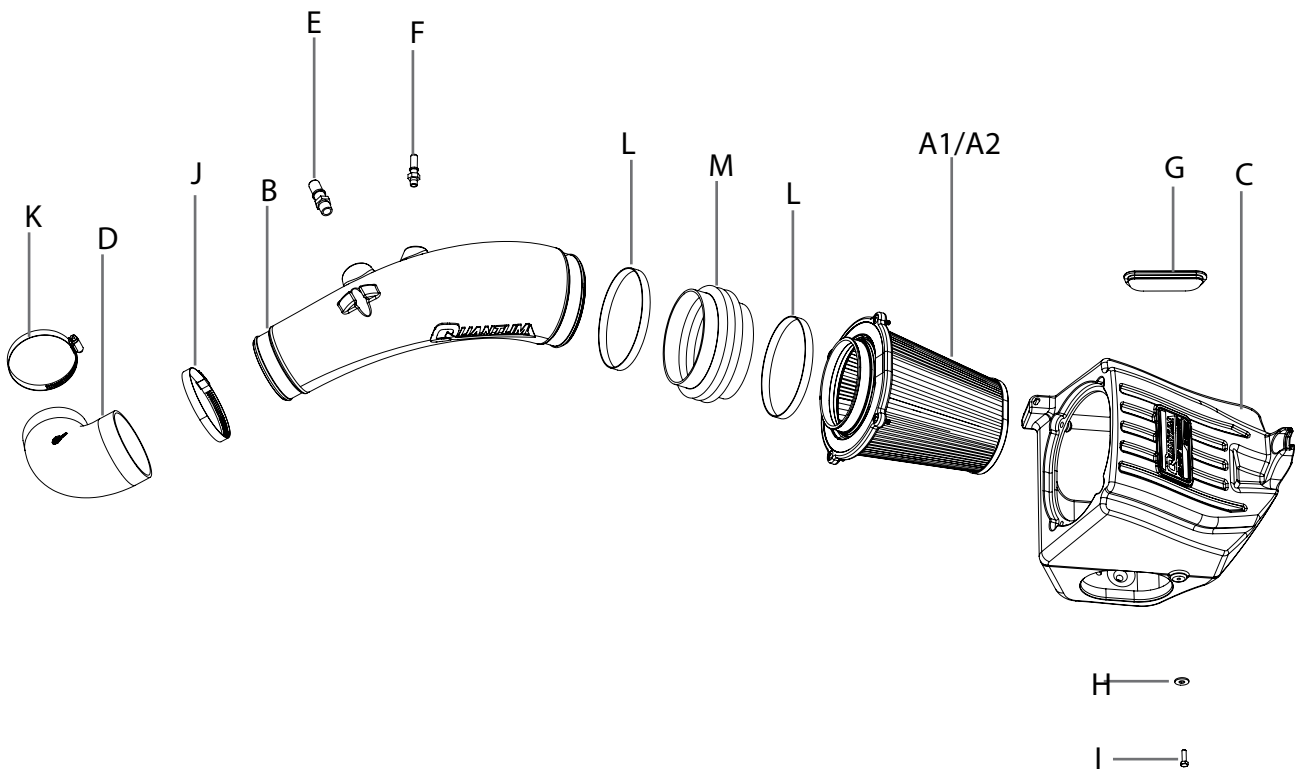
Label	Qty.	Description	Part Number
A1	1	Air Filter (Pro DRY S)	21-90105
A2	1	Air Filter (Pro 5R)	23-91133
B	1	Tube	05-5310010B1
C	1	Housing	05-53112B2
D	1	Coupling, Silicone Elbow	05-01344
E	1	Fitting (Large)	05-01339
F	1	Fitting (Small)	05-01338
G	1	Plug, Airbox	05-00937
H	1	Washer, Flat: M6	03-50070
I	1	Screw, Hex Hd: M6	03-50052
J	1	Clamp, #064	03-50006
K	1	Clamp, #056	03-50009
L	2	Clamp, #080	03-50011
M	1	Coupling, Silicone Bellow	05-01456

Installation will require the following tool(s):

8mm, 13mm nut driver or socket and extension, Flat screwdriver #2 Phillips screwdriver, pliers.

Emissions Disclaimer:

This product is not currently CARB exempt and is not available for purchase in California or for use on any vehicle registered with the California Department of Motor Vehicles.





FigureA

Refer to Figure A for Steps 1-4.

Step 1: Pull the coolant hose from the tube.

Step 2: Disconnect the two crankcase breather lines.

Step 3: Loosen the two clamps on the air intake tube. Pull the tube out of the truck.

Step 4: Remove the screw and the two plastic rivets securing the housing, then pull the factory air box out of the truck.

Note: Some models will have a wiring harness attached to the air box, unclip the harness if it is present.



Figure B

Refer to Figure B for Steps 5-6.

Step 5: Remove the screw securing the factory air scoop to the factory housing. Then pull on the scoop to detach it from the housing.

Step 6: Push the factory air scoop in the Quantum housing and secure it with the provided M6 screw and washer.



Figure C

Refer to Figure C for Steps 7-8

- Step 7: If you have also purchased the aFe POWER scoop (P/N: 53-100085) with your Quantum intake, simply push it into the Quantum housing and secure it with the M6 screw and washer provided.
- Step 8: Install the seal trim on the edge of the aFe POWER scoop.



Figure D

Refer to Figure D for Steps 9-11.

Step 9: Transfer the grommet and sleeve from the factory housing to the Quantum housing.

Step 10: Install the Quantum housing into the vehicle by pushing it into the factory grommet, and attach the factory harness to the housing if your vehicle is equipped with one.

Step 11: Secure the housing to the fender using the factory screw removed at Step 4.



Figure E

Refer to Figure E for Step 12.

Step 12: Secure the factory scoop inlet with the factory plastic rivets. Or if you have the aFe POWER scoop, secure it with the provided plastic rivets.



Figure F

Refer to Figure F for Steps 13-14.

Step 13: Slide the Quantum air filter into the housing. Secure it by tightening the four screws with a #2 Phillips screwdriver.

Step 14: Install couplings and clamps onto throttle body and air filter. Do not tighten clamps yet.



Figure G

Refer to Figure G for Step 15.

Step 15: Screw the two provided vent fittings into the Quantum tube. This is an NPT fitting. The small gap between the tube and the hex is normal.



Figure H

Refer to Figure H for Step 16.

Step 16: The kit includes an optional plug to close off the back auxiliary air inlet. Install the plug if you wish to close off the back auxiliary air inlet and only capture cold air from the front of the vehicle.

- Without the plug installed, the aFe POWER intake will capture the maximum air available. More airflow offers more power. Yet some of this air is picked up from inside the engine compartment and could be warmer air. Warmer air will affect the performance of the vehicle.
- The plug installed on the housing will block off any hot engine air entering the housing and make sure the coolest air available is directed into the engine. It will also reduce the noise of the intake.



Figure I

Refer to Figure I for Steps 17-20.

Step 17: Install the Quantum tube in the truck by sliding the tube into the coupling in the throttle body then into the coupling on the air filter.

Step 18: Align tube correctly then tighten all clamps.

Step 19: Reconnect the crankcase breather lines and secure coolant hose on tube.

Step 20: Verify all connections are secured. The installation is now complete, enjoy your Quantum air intake system.

Page left blank intentionally



Page left blank intentionally

Page left blank intentionally



advanced FLOW engineering, inc.

252 Granite Street Corona, CA 92879

<https://afepower.com/contact>