

advanced FLOW engineering

Cold Air Intake System

Instruction Manual P/N: 51-13002-B / 54-13002-B / 75-13002-B

Make: **Jeep**
Make: **Jeep**

Model: **Wrangler (JL)**
Model: **Gladiator (JT)**

Year: **2018-2023** Engine: **V6-3.6L**
Year: **2020-2023** Engine: **V6-3.6L**

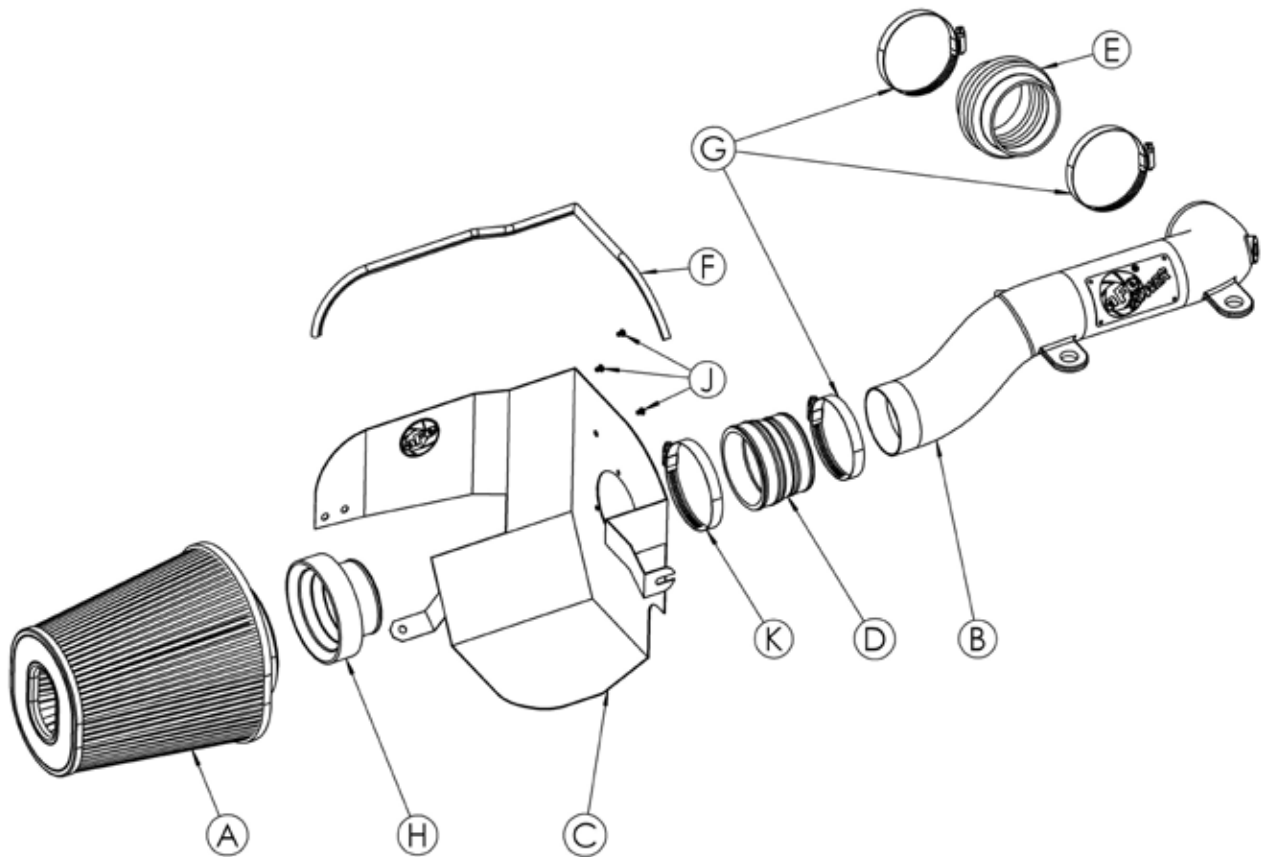


- Please read the entire instruction manual before proceeding.
- Ensure all components listed are present.
- If you are missing any of the components, call customer support at 951-493-7185.
- Ensure you have all necessary tools before proceeding.
- Do not attempt to work on your vehicle when the engine is hot.
- Disconnect the negative battery terminal before proceeding.
- Retain factory parts for future use.

Label	Qty.	Description	Part Number
A1	1	Air Filter (Pro 5R)	24-91127
A2	1	Air Filter (Pro DRY S)	21-91127
A3	1	Air Filter (Pro-GUARD 7)	72-91127
B	1	Tube	05-13002B1
C	1	Housing	05-13002B2
D	1	Coupling, Silicone Reducer	05-00636
E	1	Coupling, Silicone Reducer Bellows	05-01400
F	1	Seal Trim: 7/16" Bulb (21-1/2" inches)	05-00072
G	3	Clamp, #048	03-50007
H	1	Adaptor	05-01037
J	3	Screw, Btn Hd Socket: M6 x 1 x 10	03-50113
K	1	Clamp, #052	03-50008

Installation will require the following tools:
8mm/10mm nut drivers and 4mm Allen wrench.

Warranty Information available at: <https://afepower.com/contact#warranty>

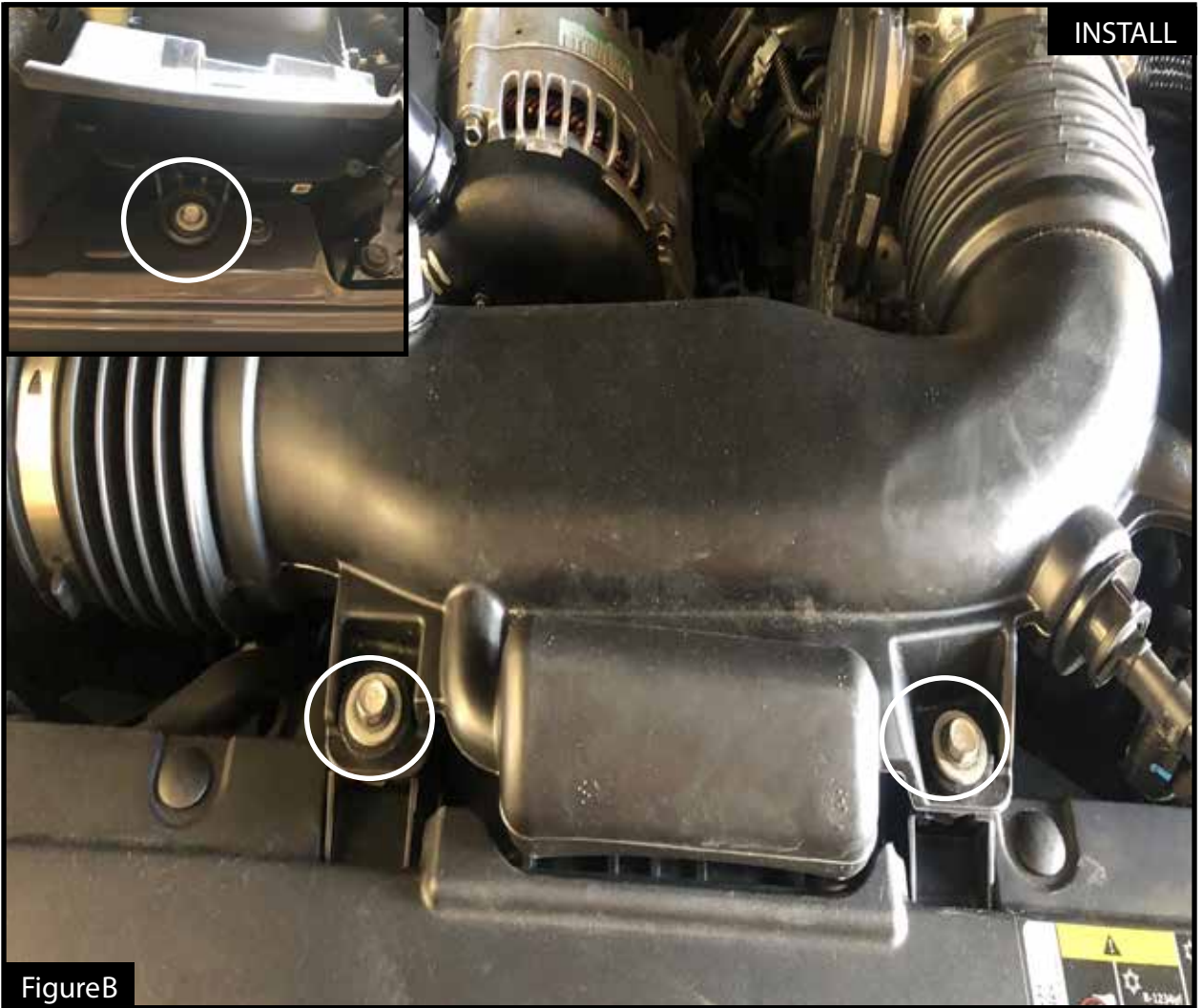




Refer to Figure A for Steps 1-2

Step 1: Disconnect the intake tube sensor and the quick connect vent hose and gently disconnect wire harness from intake chamber.

Step 2: Loosen the throttle body clamp.



FigureB

Refer to Figure B for Step 3

Step 3: Remove the two bolts on the intake tube and one bolt on the air filter housing.



Refer to Figure C for Step 4

Step 4: Remove the OE tube and housing from the vehicle.



Figure D

Refer to Figure D for Steps 5-6

Step 5: Install trim seal onto aFe housing.

Step 6: Install filter adapter onto the housing using the three screws.



Refer to Figure E for Steps 7-8

Step 7: Remove the three bolts in the filter housing area.

Step 8: Loosen radiator mount bolt.



Figure F

Refer to Figure F for Steps 9-10

Step 9: Remove grommet inner sleeve and push grommet out of from OE intake tube and install into the aFe intake tube. Note the direction of the grommet sleeve. Reinstall grommet sleeve.

Step 10: Carefully remove the sensor from the OE intake tube and install it into the aFe tube.



Figure G

Refer to Figure G for Steps 11-13

Step 11: Install the aFe housing by lining up the mounting holes. The upper two mounting holes are sandwiched in between the top two brackets near the battery.

Step 12: Install the slotted bracket in between the radiator bolt washer and rubber mount.

Step 13: Reinstall the three bolts back into the engine compartment and tighten radiator mount bolt.



Figure H

Refer to Figure H for Steps 12-15

Step 12: Install couplings and hose clamps onto the throttle body and filter adaptor.

Use the bigger clamp to secure the coupling to the filter adaptor.

Step 13: Install the aFe intake tube into the couplers and attach with the original mounting bolts.

Step 14: Tighten all clamps.

Step 15: Reattach the quick connect vent hose and plug in the intake tube sensor.



Figure 1

Refer to Figure 1 for Step 16

Step 16: Reinstall the remaining unused bolt back into its original location.



Figure J

Refer to Figure J for Step 17

Step 12: Install the air filter onto the aFe intake system and tighten clamp. Your installation is now complete.

NOTE: Retighten all connections after approximately 100-200 miles.

Please enclosed CARB EO sticker on or near the device on a smooth, clean surface.

EO identification label is required to pass the smog inspection.



PAGE LEFT BLANK INTENTIONALLY

PAGE LEFT BLANK INTENTIONALLY



advanced FLOW engineering, inc.

252 Granite Street Corona, CA 92879

<https://afepower.com/contact>