

## advanced FLOW engineering

Dynamic Air Scoop D.A.S

**Instruction Manual** P/N: 54-76012-S

---

Make: Toyota Model: Tacoma Year: 2005-2015 Engine: V6-4.0L



- Please read the entire instruction manual before proceeding.
- Ensure all components listed are present.
- If you are missing any of the components, call customer support at 951-493-7185.
- Ensure you have all necessary tools before proceeding.
- Do not attempt to work on your vehicle when the engine is hot.

## Retain factory parts for future use.

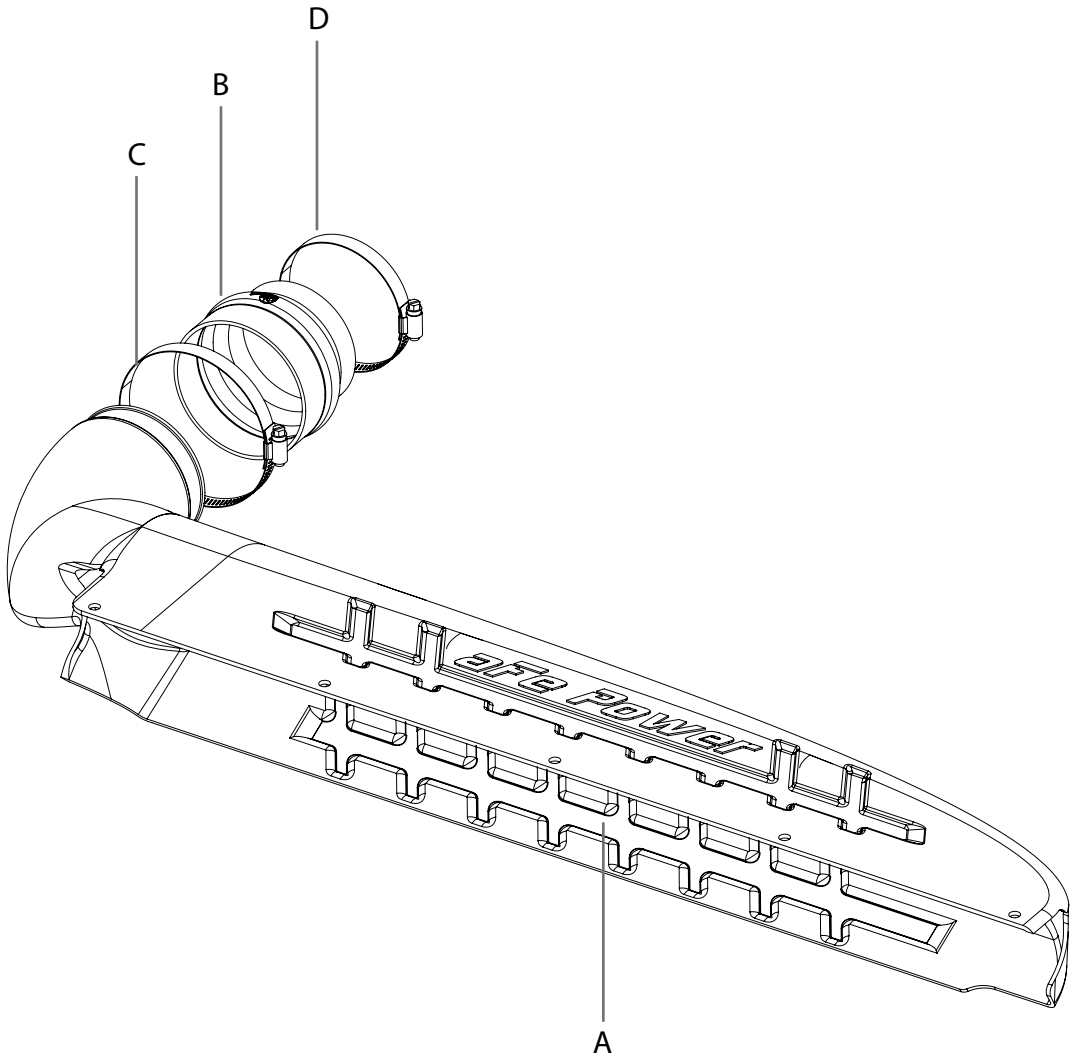
Label	Qty.	Description	Part Number
A	1	Scoop, Rotomold	05-76012B3
B	1	Coupling, Silicone Hump	05-01386
C	1	Clamp, #052	03-50008
D	1	Clamp, #060	03-50002

Installation will require the following tool(s):  
Flathead screwdriver, 8mm nut driver.

Warranty Information available at: <https://afepower.com/contact#warranty>

### **Emissions Disclaimer:**

This product is not currently CARB exempt and is not available for purchase in California or for use on any vehicle registered with the California Department of Motor Vehicles.



**FigureA****Refer to Figure A for Step 1**

Step 1: Using a flathead screwdriver, remove the 9 panel clips ① securing the plastic radiator support cover by popping up the center pin, then removing the entire clip. Remove the radiator support cover.

NOTE: Be careful not to damage the clips. 5 will be re-used.

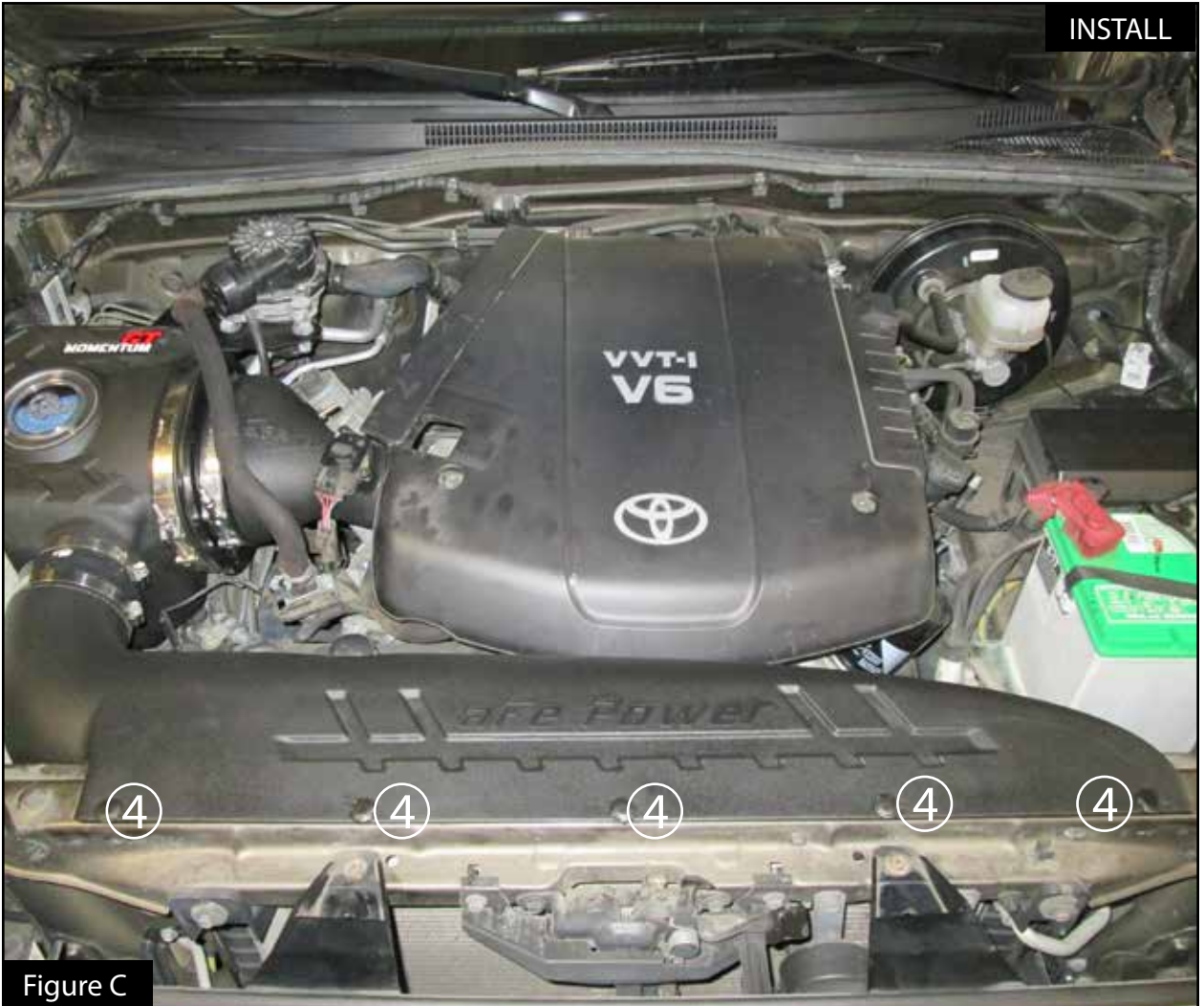


Figure B

Refer to Figure B for Step 2

Step 2: Install the supplied silicone coupling (2) with the #060 clamp (3) on to the aFe airbox as shown.



**Figure C**

### Refer to Figure C for Steps 3-4

Step 3: Place the #052 clamp onto the aFe coupler before installing the aFe Dynamic Air Scoop by lining up the 5 mounting holes (4) on the top of the radiator support, then sliding the scoop outlet into the coupler. Secure the scoop using 5 of the panel clips removed in Step 1.

Step 4: Confirm that the coupling is seated all the way around both the airbox and scoop before tightening both clamps using an 8mm nut driver. Your installation is now complete.

NOTE: Check all clamps and connectors after 100-200 miles.

Page left blank intentionally



**advanced FLOW engineering, inc.**  
252 Granite Street Corona, CA 92879  
<https://afepower.com/contact>