

advanced FLOW engineering

Cold Air Intake System
Instruction Manual P/N: 51-72204-R

Make: Dodge Model: Challenger/Charger SRT Hellcat Year: 2015-2016 Engine: V8-6.2L (sc) HEMI

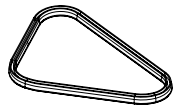
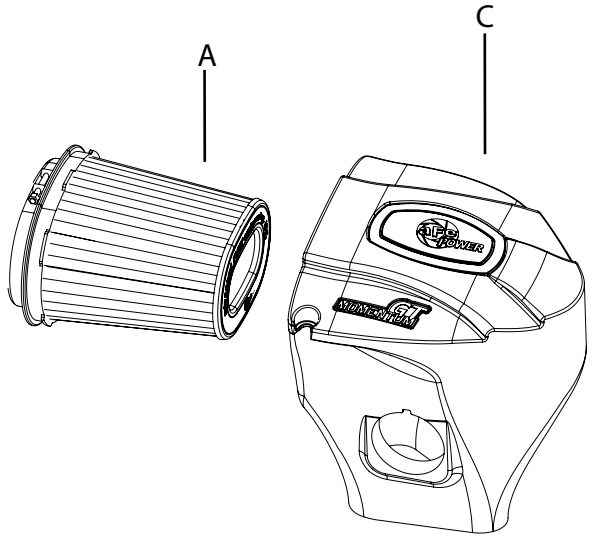
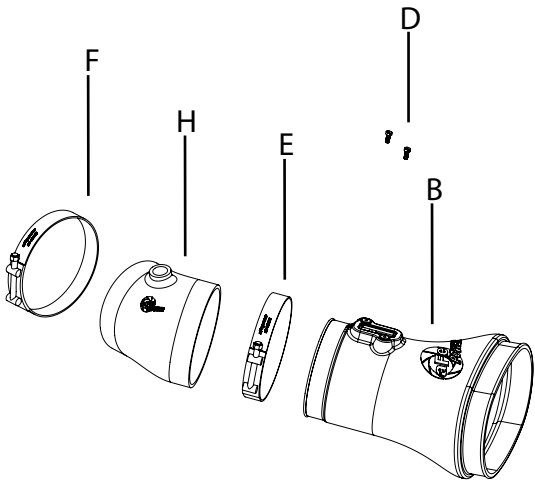


- Please read the entire instruction manual before proceeding.
- Ensure all components listed are present.
- If you are missing any of the components, call customer support at 951-493-7100.
- Ensure you have all necessary tools before proceeding.
- Do not attempt to work on your vehicle when the engine is hot.
- Disconnect the negative battery terminal before proceeding.
- Retain factory parts for future use.

Label	Qty.	Description	Part Number
A	1	Air Filter (Pro DRY S)	21-91101
B	1	Tube	05-72204R1
C	1	Housing	05-72201R2
D	2	Screw, Btn Hd Cap: M4	03-50490
E	1	Clamp, T-Bolt (4-7/16"-4-3/4")	03-50319
F	1	Clamp, T-Bolt (4-1/8"-4-1/2")	03-50262
G	1	Seal, Trim; 3/4" Bulb, 15/64" Edge (21")	05-01507
H	1	Coupling, Silicone	05-01352

Tools needed: Tools needed: 8mm and 10mm nut driver or socket, flat screw driver, and T20 torx driver.

Warranty Information available at: <https://afepower.com/contact#warranty>





FigureA

Refer to Figure A for Steps 1-4

Step 1: Disconnect MAF sensor and breather fitting.

Step 2: remove bolt securing the housing.

Step 3: Untighten clamp at the throttle body.

Step 4: For Challenger vehicle, pull the housing assembly as one piece outside of the vehicle.



Figure B

Refer to Figure B for Step 5

Step 5: For Charger vehicle only, open the housing and remove the factory filter. Then disconnect the inlet duct and pull the bottom part of the housing outside of the vehicle. (The inlet duct is not removable)



FigureC

Refer to Figure C for Steps 6-9

Step 6: Transfer the grommet from the factory air box to the aFe housing.

Step 7: Install trim seal at the bottom edge of the aFe housing.

Step 8: Slide the selected filters inside the aFe housings until they lock in place. Install clamp on filter end but, do not tighten at this time.

Step 9: For Challenger vehicle only, transfer the inlet duct to the aFe housing.



Figure D

Refer to Figure D for Steps 10-11

Step 10: Make sure factory grommet is installed correctly into hole.

Step 11: Install aFe housing assembly into vehicle. For charger only, re-connect factory inlet duct while installing the housing in.



Figure E

Refer to Figure E for Step 12

Step 12: Remove the MAF sensor from factory housing and install on aFe tube. Secure it with the provided M4 screws.



FigureF

Refer to Figure F for Step 13

Step 13: Install the coupling over the throttle body with the clamp. Do not tighten yet. Make sure it's oriented correctly.



FigureG

Refer to Figure G for Steps 14-15

Step 14: Install the aFe tube by sliding it first into the filter then into the coupling.

Step 15: Make sure everything is aligned correctly, then tighten all clamps.



Figure H

Refer to Figure H for Steps 16-19

Step 16: Reconnect the breather fitting by pushing it firmly into the coupling.

Step 17: Re-install the bolt removed at Step 2 to secure the housing.

Step 18: Reconnect the MAF sensor.

Step 19: Make sure all clamps and connections are secured. Your installation is now complete.

NOTE: Check all bolts, clamps and connectors after 200 miles.

NOTE: Place enclosed CARB EO sticker on or near the device on a smooth, clean surface.

EO identification label is required to pass the smog inspection test.



advanced FLOW engineering, inc.

252 Granite Street Corona, CA 92879

<https://afepower.com/contact>