

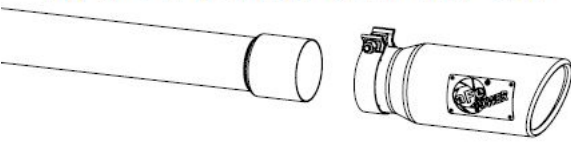


INSTALLATION INSTRUCTIONS

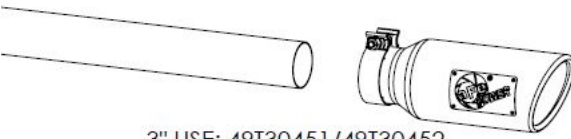
MAKE: Toyota
MODEL: Tacoma
YEAR: 2013-2015
ENGINE: V6-4.0L
WHEELBASE: ACSB, ACLB, CCSB, CCLB

3" Cat-Back
49-46022-B (Black Tip)
49-46022-P (Polished Tip)

ORDERING REPLACEMENT TIPS?

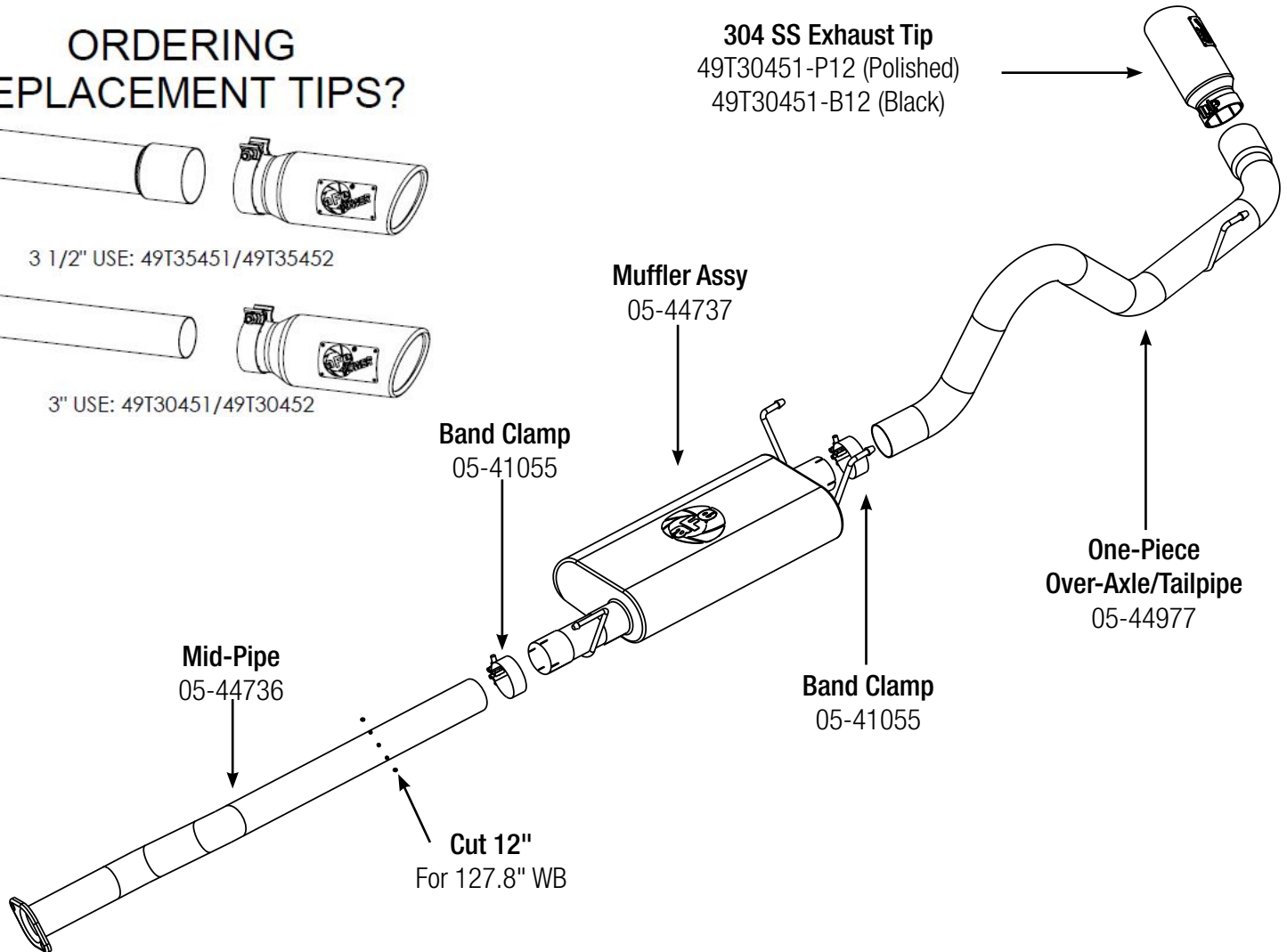


3 1/2" USE: 49T35451/49T35452



3" USE: 49T30451/49T30452

304 SS Exhaust Tip
49T30451-P12 (Polished)
49T30451-B12 (Black)



Step 1: (Read Instructions prior to installation) Remove your stock exhaust up to the catalytic converter from the rear of your truck working your way forward. Take caution not to damage the factory hardware and isolation mounts as they will be reused.

It is recommended to not fully tighten the clamps until the entire system has been installed.

Step 2: For faster installation spread the pieces of the exhaust along side of your vehicle according to the diagram shown.

Step 3: Install muffler assembly utilizing the factory isolation mounts.

Step 4: Using the 3" band clamp connect the muffler assembly to over axle/tailpipe.

Step 5: For 127.8" wheelbase the mid-pipe needs to be cut. Measure 12" from the opposite side of the flange and cut.

Step 5: Using the 3" band clamp install the mid-pipe. Install and tighten bolts at cat-side. Now tighten all clamps.

Step 6: Your installation is now complete. It is recommended to re-tighten all exhaust components after 50-100 miles.

NOTES:

- aFe recommends that the tailpipe be at least 1/2"-1" away from any body panels to avoid heat related body damage. **Tighten and secure.**

Caution: Allow time for your vehicle to cool down prior to installation. When working on or under your vehicle proceed with caution. Exhaust systems reach high temperatures and may cause serious burns. Wear protective safety equipment; eye goggles and gloves to ensure a safe installation. **aFe recommends professional installation on our products.**