



INSTALLATION INSTRUCTIONS

MAKE: Porsche

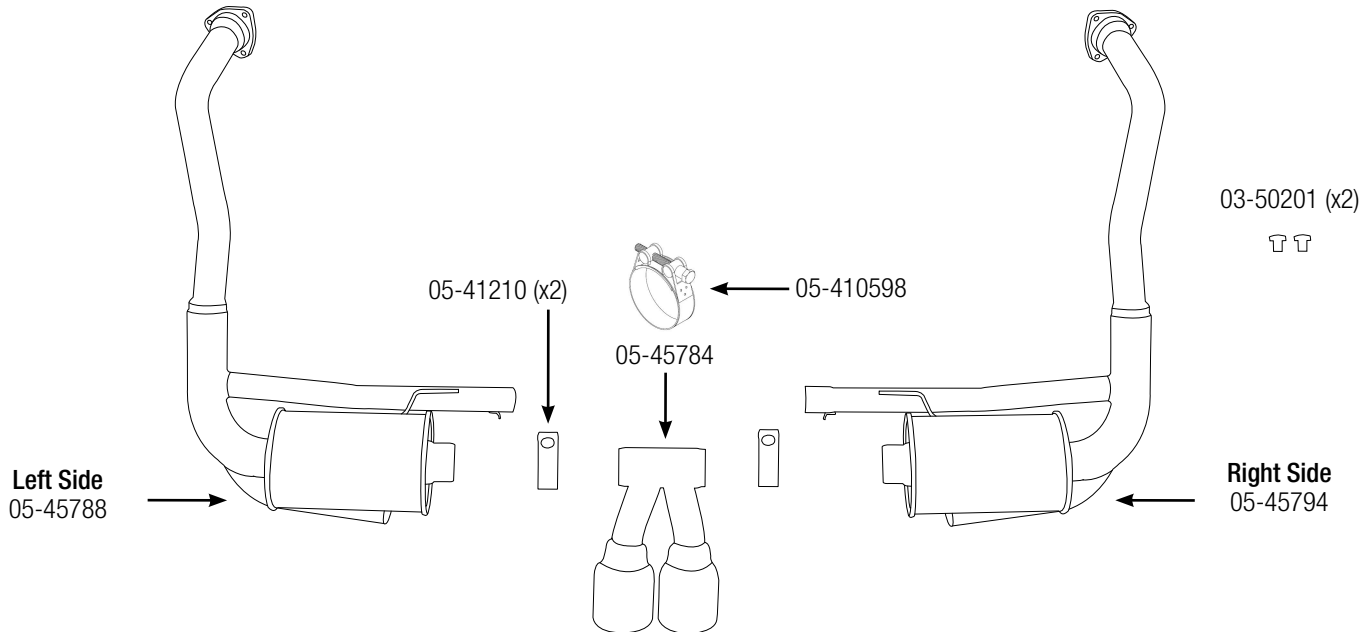
MODEL: Boxster/Boxster S/Cayman/Cayman S (987.1-987.2)

YEAR: 2005-2012

ENGINE: H6-2.7/2.9/3.2/3.4L

Cat-Back Exhaust
304 Stainless Steel
49-36409

aFe recommends professional installation on our products.



Caution: Allow time for your vehicle to cool down prior to installation. When working on or under your vehicle proceed with caution. Exhaust systems reach high temperatures and may cause serious burns. Wear protective safety equipment; eye goggles and gloves to ensure a safe installation.

- Step 1:** Secure vehicle on jack stands (Refer to your manual for specified jack stand positions).
- Step 2:** Remove the rear wheels.
- Step 3:** Remove vacuum hoses off left and right side exhaust valves.
- Step 4:** Remove OE exhaust system.
- Step 5:** Remove the muffler bracket secured to the transmission, this will not be re-used.
- Step 6:** Using the (x2) supplied aFe vacuum hose plugs, plug the OE vacuum hoses.
- Step 7:** Off the vehicle, install the left and right side aFe mufflers to the aFe Tip Assembly using the supplied band clamps but do not tighten.
- Step 8:** Using the original nuts and gaskets (Replace if necessary) removed from step 4, install the aFe assembled cat back system but do not tighten.
- Step 9:** Using the original (x2) bolts removed from step 5, secure the left and right side aFe muffler brackets to the transmission but do not tighten.
- Step 10:** Now go back and tighten the (x6) nuts from step 8 and then the (x2) bolts from step 9.
- Step 11:** Using the supplied aFe clamp, secure the left and right side aFe muffler section at the balance equalizer tube.
- Step 12:** Now align the aFe tip assembly to the desired position and tighten the (x2) band clamps.
- Step 13:** Re-check all your work.
- Step 14:** Install the rear wheels and torque to factory specs.
- Step 15:** Remove vehicle off jack stands.

NOTE: It is normal for the aFe Exhaust System to emit smoke for the first few minutes upon initial start-up.