



advanced FLOW engineering, Inc
 252 Granite Street
 Corona, CA 92879
 Tech Support: 951-493-7134
 Main Line: 951-493-7100
 www.aFePower.com

aFe Silver Bullet

Throttle Body Spacer
Part Number
46-32004

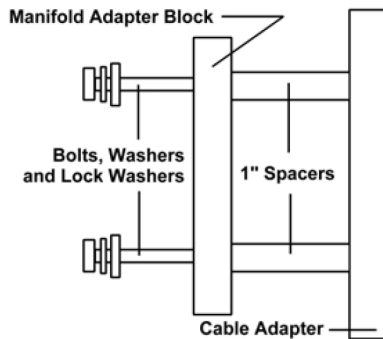
INSTALLATION INSTRUCTIONS

This kit includes the parts for several different installations; please verify the parts list and read all instruction steps before you begin installation.

Year	Make	Model	Engine
2002-2007	Dodge	Ram 1500	V8-4.7L

1. If equipped, disconnect Air Temperature Sensor (IAT) harness from air resonator. Unbolt and remove air resonator and air inlet tube. Disconnect the control cables from throttle body.
2. Unbolt and remove air muffler bracket from front of engine. Install bracket, lock washer and spacer with longer bolt provided. This spaces the muffler bracket forward.
3. Remove three retaining bolts holding throttle body to the intake manifold.
4. Install the Silver Bullet spacer (engraved side towards throttle body) in between the intake and throttle body. Use the longer bolts provided to secure the throttle body to the intake. Tighten the bolts to 10 Nm (89 lb/in).
5. Remove cables from intake manifold bracket. Assemble the adapter block, bolts, washers, spacers, and cable retainer together. Install cables into new bracket. Slide assembly into manifold bracket. The cables will fit tightly in the new bracket. Use cable tie to secure manifold to new bracket assembly. Route the tie through small hole in manifold and through assembly.
6. Attach the housing extensions using the 16mm bolts to the intake manifold. Next bolt the air housing to the brackets. Reinstall the transfer hose to the housing and to the air cleaner assembly. Make sure all the clamps and bolts are properly attached and torqued to specification.

NOTE: This part has been exempt by the California Air Resources Board (C.A.R.B.) and issued an Executive Order (E.O.). If part does not come with C.A.R.B. E.O. sticker already placed on device, it is necessary to place the sticker on or near the device on a smooth, clean surface. The C.A.R.B. E.O. sticker is required to pass the smog test inspections in the state of California.



Parts List:

- 1 aFe Silver Bullet Spacer
- 3 6mm x 60mm bolts
- 7 6mm flat washers
- 1 Cable adapter block
- 1 Manifold adapter block
- 3 1-Inch spacers (1-10mm, 2-6mm)
- 2 6mm x 16mm bolts
- 1 10mm x 130mm bolt
- 2 6mm x 40mm bolts
- 2 6mm lock washers
- 1 7/16" lock washer
- 2 1" cable extenders)
- 1 Cable tie

advanced FLOW engineering, inc
 252 Granite Street, Corona, CA 92879
 Tech Support: <https://afepower.com/contact/tech-warranty>
www.aFePower.com