



INSTALLATION INSTRUCTIONS

MAKE: DODGE

MODEL: Charger

YEAR: 2006-2010

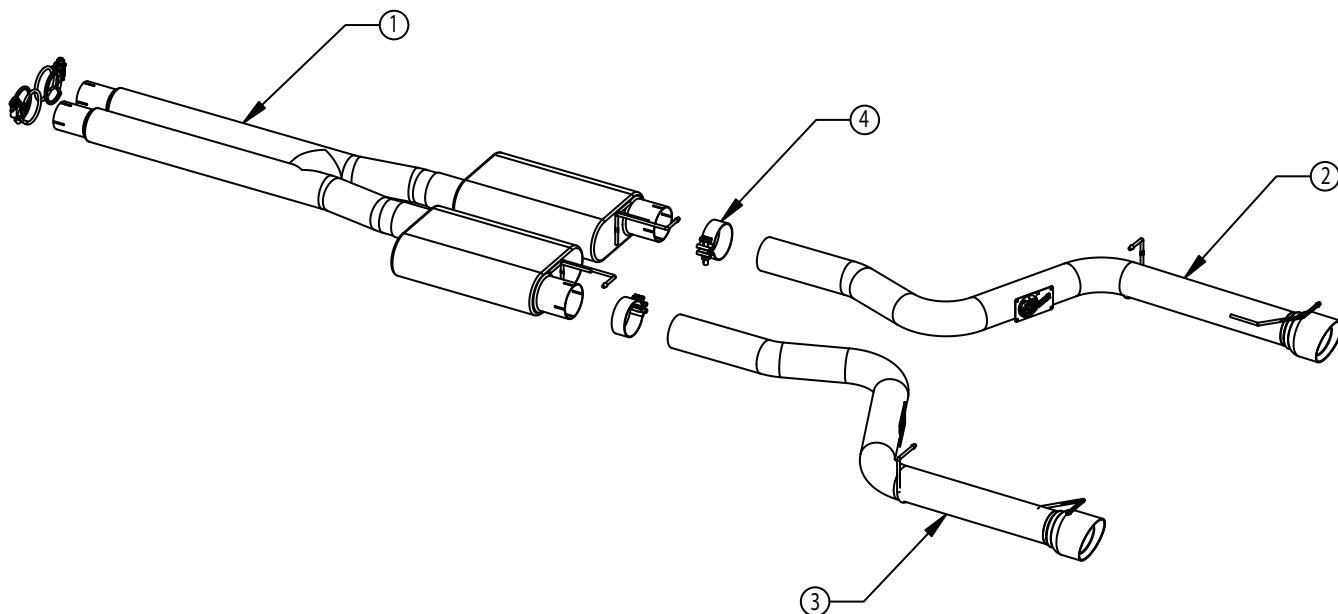
ENGINE: V8-5.7L HEMI

NOTE: Replaces factory dual exhaust only & does not fit SRT-8



3" Cat-Back (409SS)

49-42024



ITEM NO.	PART NUMBER	DESCRIPTION	QTY.
1	05-44366	S/A Tube: Mid Pipe w/ Mufflers	1
2	05-44368	S/A Tube: Rear Pipe RS w/ Tip	1
3	05-44367	S/A Tube: Rear Pipe LS w/ Tip	1
4	05-41055	Clamp, Band: 3.0" Dia	2
5	05-41151	Clamp, SSC2620	2

Step 1: (Read Instructions prior to installation) Remove your stock exhaust from the rear of your vehicle working your way forward. Disconnect the ground strap from chassis to muffler and save for re-use later. Also take caution not to damage the factory isolation mounts as they will be reused. **It is recommended to not fully tighten the clamps until the entire system has been installed.**

Step 2: For ease of installation spread the pieces of the exhaust along side of your vehicle according to the diagram shown.

Step 3: Install mid-pipe/muffler assembly with clamps and isolation mounts. Do not fully tighten

Step 4: Install the tail pipe assemblies with 3" band clamps, utilizing the factory isolation mounts, do not fully tighten until tips have been centered in the bumper cut outs.

Step 6: Adjust for alignment, tighten all connections and reattach ground strap. Your installation is now complete. It is recommended to re-tighten all exhaust components after the first 50-100 miles.

NOTE:

- aFe recommends that the tailpipe be at least 1/2"-1" away from any body panels to avoid heat related body damage. **Tighten and secure.**
- IF additional clearance is needed, the soft aluminum heat shield can be reshaped at any points of contact.

Caution: Allow time for your vehicle to cool down prior to installation. When working on or under your vehicle proceed with caution. Exhaust systems reach high temperatures and may cause serious burns. Wear protective safety equipment; eye goggles and gloves to ensure a safe installation. aFe recommends professional installation on our products.