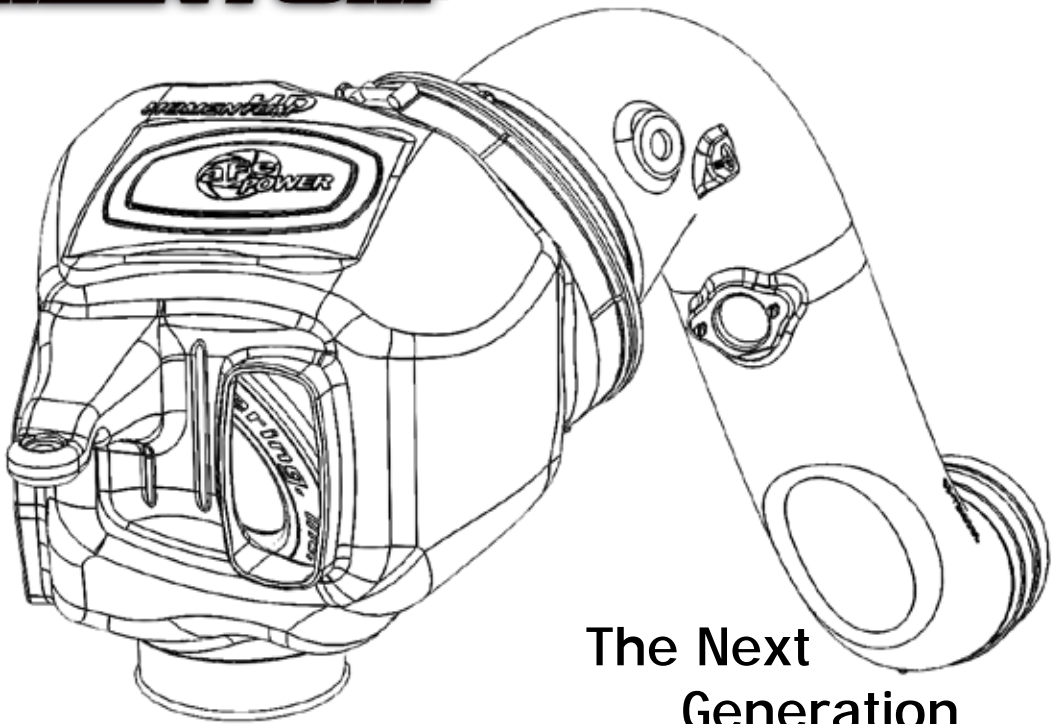




MOMENTUM^{HD}



The Next
Generation
of Intakes

advanced FLOW engineering Momentum Air Intake

Instruction Manual P/N: 50-72003

Make: **Dodge** Model: **RAM 2500/3500** Year: **2007.5-2009** Engine: **L6-6.7L (td) Cummins**

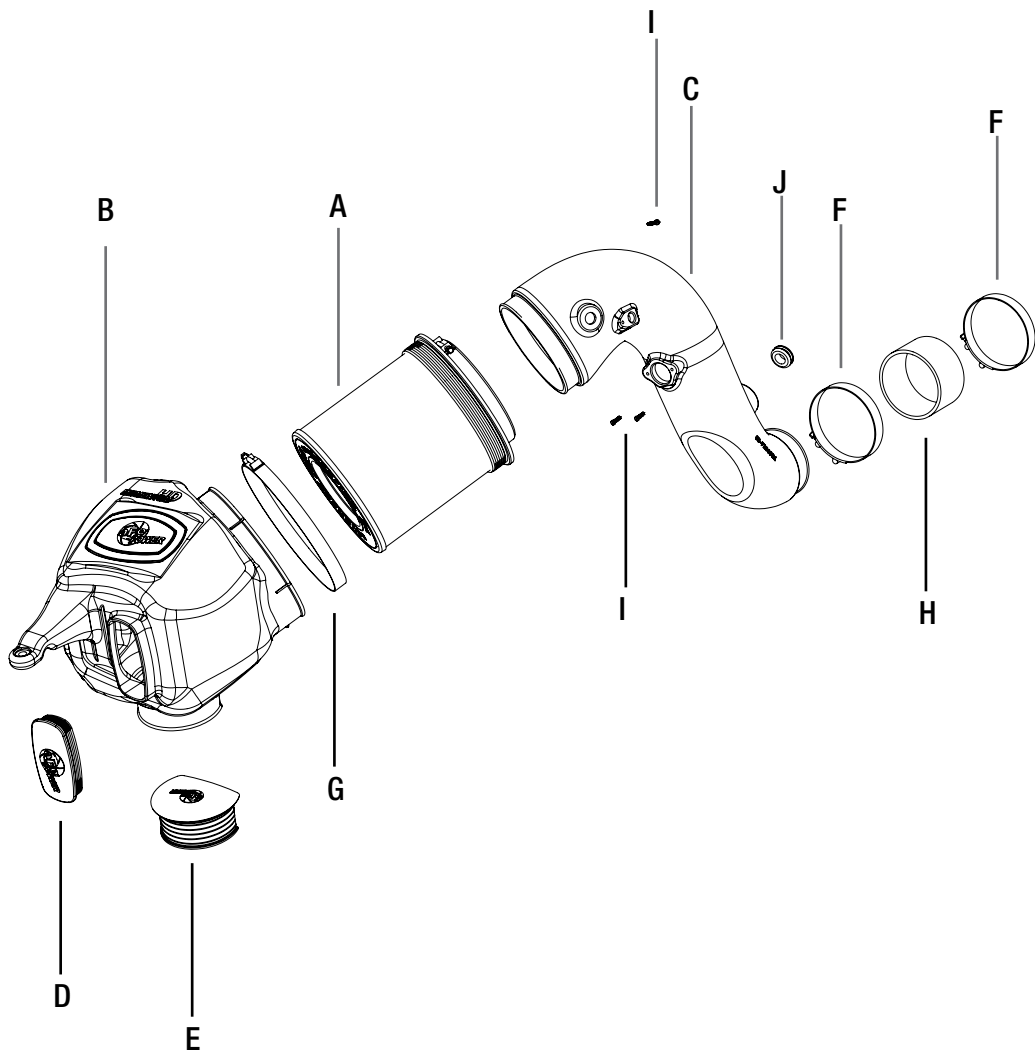


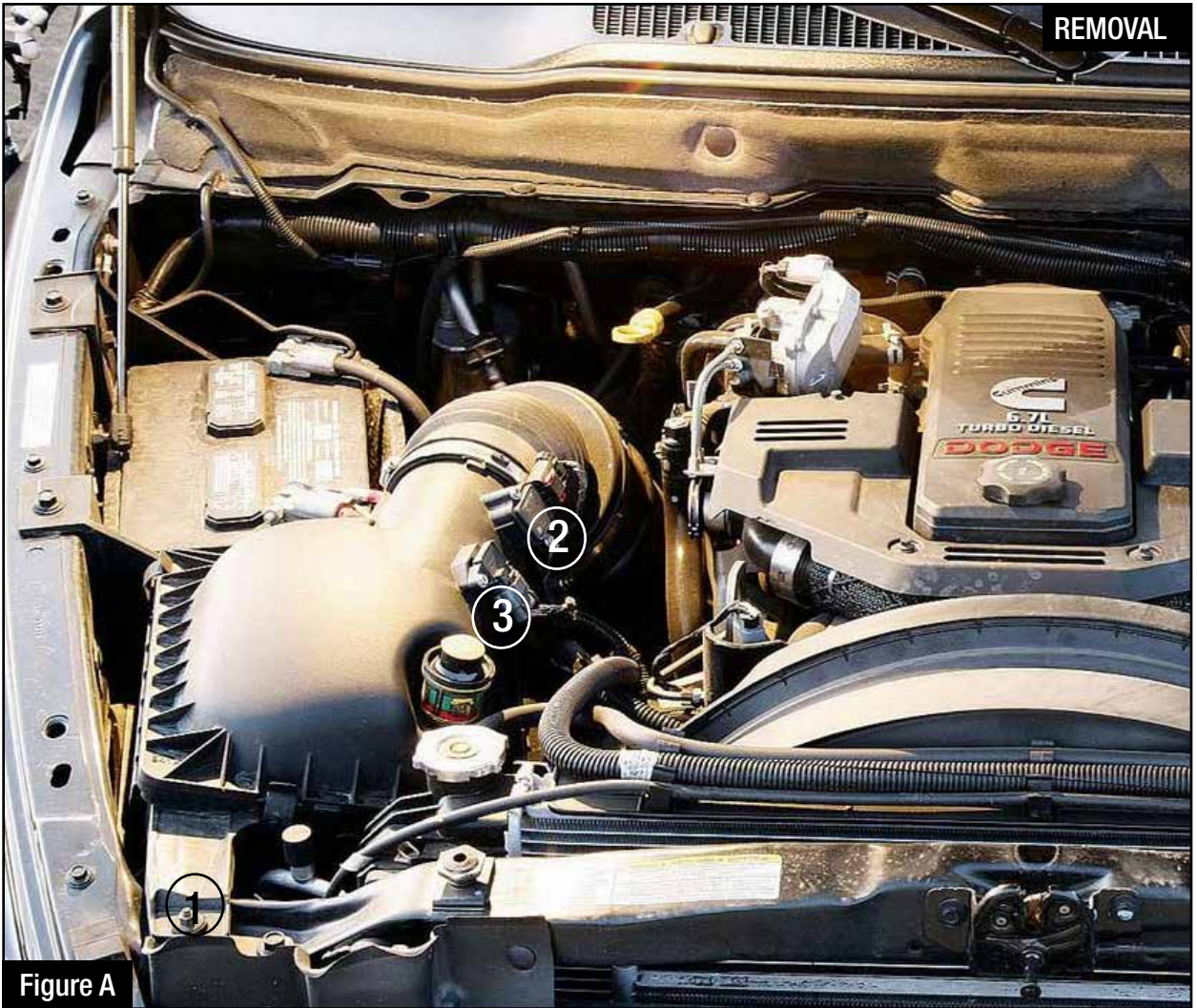
- Please read the entire instruction manual before proceeding.
- Ensure all components listed are present.
- If you are missing any of the components, call technical support at 951-493-7100 or e-mail tech@afepower.com.
- Ensure you have all necessary tools before proceeding.
- Do not attempt to work on your vehicle when the engine is hot.
- Disconnect both the negative battery terminal before proceeding.

Retain factory parts for future use.

Label	Qty.	Description	Part Number
A	1	PRO 10R (Blue Media)	20-91059
B	1	Housing	05-72004B2
C	1	Tube	05-72003B1
D	1	Plug, Urethane	05-01202
E	1	Plug, Scoop	05-01192
F	2	Clamp, T-bolt (4-1/8")	03-50499
G	1	Clamp, T-bolt (8-5/16")	03-50267
H	1	Coupling, Straight	05-00715
I	3	Screw, M4	03-50490
J	1	Grommet,Rubber	03-50167

Installation will require the following tools:
8mm, 10mm socket or nut driver, Pliers, flat screw driver.





Refer to Figure A for steps 1-2

Step 1: Remove the nut ① holding the factory air box down with a 10mm socket or driver.

Step 2: Disconnect the wiring harness from the mass air flow sensor ② and temperature sensor ③.



Figure B

Refer to Figure B for steps 3-4

Step 3: Disconnect the crank case vent (4) line using pliers.

Step 4: Loosen the clamp (5) connecting the factory intake tube to the turbocharger and pull the entire intake system out of the vehicle.



Figure C

Refer to Figure C for steps 5-6

NOTE: Wipe the filter flange with acetone to remove excess oil.

Step 5: Slide the aFe Filter into the Momentum HD housing. Install the larger clamps on the housing and filter. Do not tighten as this time.

Step 6: If you are not installing the air scoop and wish to close off the extra air inlet, install the furnished plug to close off the bottom opening (6) and/or the front opening (7) .



Figure D

Refer to Figure D for steps 7-8

Step 7: Install the momentum HD housing into the vehicle by pushing it into the factory mounting grommet.

Step 8: Re-install the factory nut (8) removed at step 1 to secure the housing. Do not completely tighten yet.



Figure E

Refer to Figure E for steps 9-12

- Step 9: Transfer the Mass air flow sensor (9) and temperature sensor (10) from the factory air box to the aFe tube. Use the furnished M4 screws to secure the sensor on the aFe tube.
- Step 10: Install the supplied grommet (11) into the aFe tube. Use a screw driver to pry open the clamp on the factory tube and pull the fitting (12) out of the factory tube. Install the fitting and hose into the grommet.
- Step 11: Install the furnished silicone coupling and T-bolt clamps (13) on the small inlet. Do not tighten yet.
- Step 12: Transfer the filter minder and factory grommet (14) from the factory housing to the aFe tube.



Figure F

Refer to Figure F for steps 13-14

Step 13: Install the aFe tube into the vehicle by sliding the coupling over the turbo then by connecting the tube to the filter. Make sure the tube, filter and housing are correctly align, then tighten all clamps and screws.

Step 14: Make sure to reconnect the factory crank case line (15) and to reinstall the factory clamp with pliers.



Figure G

Refer to Figure G for steps 15-16

Step 15: Reconnect the mass air flow sensor and temperature sensor harness.

Step 16: Verify all connections are secured. Your installation is now completed.

NOTE: Verify all connections are secured after 100-200 miles. Place enclosed CARB EO sticker on or near the intake system on a smooth/clean surface. EO identification label is required to pass the smog test inspection.

Page left blank intentionally



Page left blank intentionally

Page left blank intentionally



Air Filter



PRO 10R P/N: 20-91059
PRO DRY S P/N: 21-91059
PRO 5R P/N: 24-91059
PRO-GUARD 7 P/N: 72-91059

Pre-Filter



P/N: 28-10273

Blue Aerosol Restore Kit



P/N: 90-50001

Blue Squeeze Restore Kit



P/N: 90-50501

aFe Power Diesel T-Shirt



P/N: 40-30222 (L)
P/N: 40-30223 (XL)
P/N: 40-30224 (2XL)
P/N: 40-30225 (3XL)

aFe Power Hat



P/N: 40-10114 (S/M)
P/N: 40-10115 (L/XL)

aFe Power Ladies Hat



P/N: 40-10112

aFe Power Backpack



P/N: 40-33203



SAVE \$25
ON A REPLACEMENT
MOMENTUM
AIR FILTER. TO RECEIVE YOUR DISCOUNT PLEASE CALL
888.901.7693

To purchase any of the items above, view airflow charts, dyno graphs, photos, and video; please go to aFepower.com.

Warranty

General Terms:

- aFe warrants their products to be free from manufacturer's defects due to workmanship and material.
- This warranty applies only to the original purchaser of the product and is non-transferrable.
- Proof of purchase of the aFe product is required for all warranty claims.
- Warranty is valid provided aFe instructions for installation and/or cleaning were properly followed.
- Proper maintenance with regular inspections of product is required to insure warranty coverage.
- Damage due to improper installation, abuse, unauthorized repair or alteration is not warranted.
- Incidental or consequential damages or cost, including installation and removal of part, incurred due to failure of aFe product is not covered under this warranty.
- All warranty is limited to the repair and/or replacement of the aFe part. To request Return Goods Authorization ("RGA"), email RGA@afepower.com or call (951)493-7100. Upon receipt of the RGA, you must return the product to the address provided in the RGA, freight prepaid and accompanied with a dated proof of purchase and the RGA. Upon receipt of the defective product and upon verification of proof of purchase, aFe will either repair or replace the defective product within a reasonable time, not to exceed thirty days.

Product Category	P/N Prefix	Warranty duration
Direct OE Replacement Filters	10, 11, 30, 31, 71, 73	Life of the vehicle
Racing Filters	18	1 year
Universal	21, 24, 72	2 years
Air Intake Systems	50, 51, 54, 55, 75	2 years
Exhaust Systems	49	2 years
Intercoolers & Intercooler Tubes	46-2	2 years
Intake Manifolds	46-1	2 years
Differential Cover	46-7	Life of the vehicle
Exhaust Manifolds	46	2 years
Throttle Body Spacers	46-3	2 years
Fluid Filters	44	90 days
Pre-Filters	28	2 years
Heavy Duty OE Replacement	70	2 years
PowerSports OE Replacement	81, 87	2 years
PowerSports Intake Systems	85	2 years

No other warranty expressed or implied applies nor is any person or advanced FLOW engineering authorized to assume any other warranty. Some States do not allow the exclusion or limitation of incidental or consequential damages or do not allow limitations on how long an implied warranty lasts, so the above limitations or exclusions may not apply to you. This warranty gives you specific legal rights, and you may also have other rights which vary from State to State.



advanced FLOW engineering, inc.

252 Granite Street Corona, CA 92879

TEL: 951.493.7155 • TECH: 951.493.7100