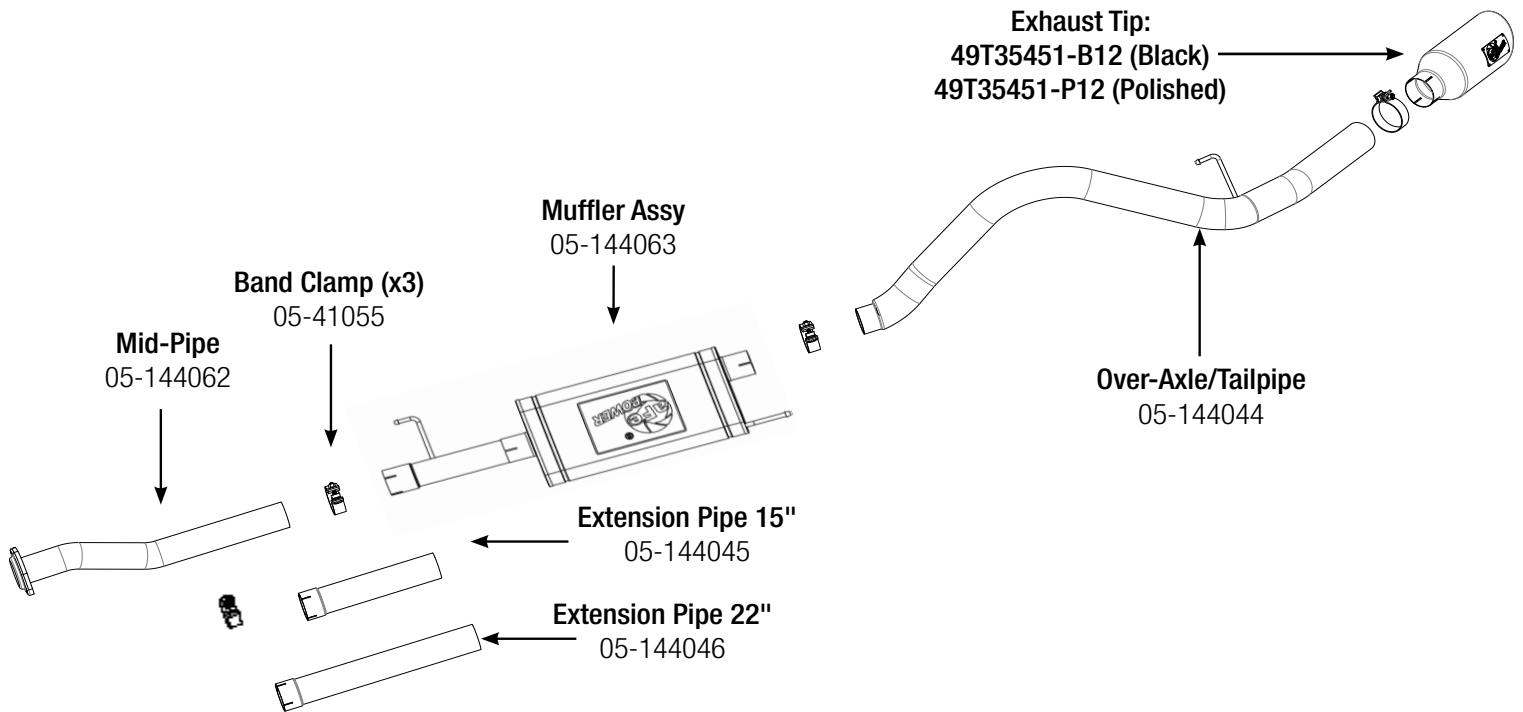




INSTALLATION INSTRUCTIONS

MAKE: Ford
MODEL: F-150
YEAR: 2015-2020
ENGINE: V8-5.0L
WHEELBASE:
CC/SB (145"), EC/SB (145") & CC/LB (156.8") & EC/LB (163.7")

409 S/S
3"-3.5" Cat-Back Exhaust
49-43073-B (Black Tip)
49-43073-P (Polished Tip)



Step 1: (Read Instructions prior to installation) Remove your stock exhaust up to the catalytic converter from the rear of your truck, working your way forward. Take caution not to damage the factory hardware and isolation mounts as they will be reused. (it is recommended to not fully tighten the clamps until the entire system has been installed.)

Step 2: For faster installation spread the pieces of the exhaust alongside of your vehicle according to the diagram shown.

Note: Extension pipe may be required for the following:

- | | |
|---|---|
| • CC/SB, SuperCrew / 5.5 Ft Bed, 145" Wheelbase | No Extension pipe required |
| • EC/SB, SuperCab / 6.5 Ft Bed, 145" Wheelbase | No Extension pipe required |
| • CC/LB, SuperCrew / 6.5 Ft Bed, 156.8" Wheelbase | 15" Extension pipe (05-144045) required |
| • EC/LB, SuperCab / 8 Ft Bed, 163.7" Wheelbase | 22" Extension pipe (05-144046) required |

Step 3: First, Insert and install the mid-pipe and extension tube (if necessary). Onto the muffler assy.

Step 4: Slide the rear hanger of the muffler assy into the isolation mount first. Push all the way back until you have clearance to slide the other front hanger of the muffler assy in place with the isolation mounts.

Step 5: Using the OE flange bolts and nuts connect the flanges together. Do not fully tighten yet.

Step 6: Next, install the tailpipe and hanger into isolation mount. Do not tighten.

Step 7: Place the tip at desired position, do not fully tighten.

Step 8: Adjust and straighten out exhaust. You can now begin to tighten down your exhaust beginning at the front flange and working your way back and ending at tip.

Step 9: Your installation is now complete. It is recommended to re-tighten all exhaust components after 50-100 miles.

NOTES:

- aFe recommends that the tailpipe be at least 1/2"-1" away from any body panels to avoid heat related body damage. **Tighten and secure.**

Caution: Allow time for your vehicle to cool down prior to installation. When working on or under your vehicle proceed with caution. Exhaust systems reach high temperatures and may cause serious burns. Wear protective safety equipment; eye goggles and gloves to ensure a safe installation. **aFe recommends professional installation on our products.**