

## advanced FLOW engineering

Dynamic Air Scoop D.A.S

Instruction Manual P/N: 54-76105-S

---

Make: Nissan    Model: Titan XD    Year: 2016-2019    Engine: V8-5.0L (td) Cummins



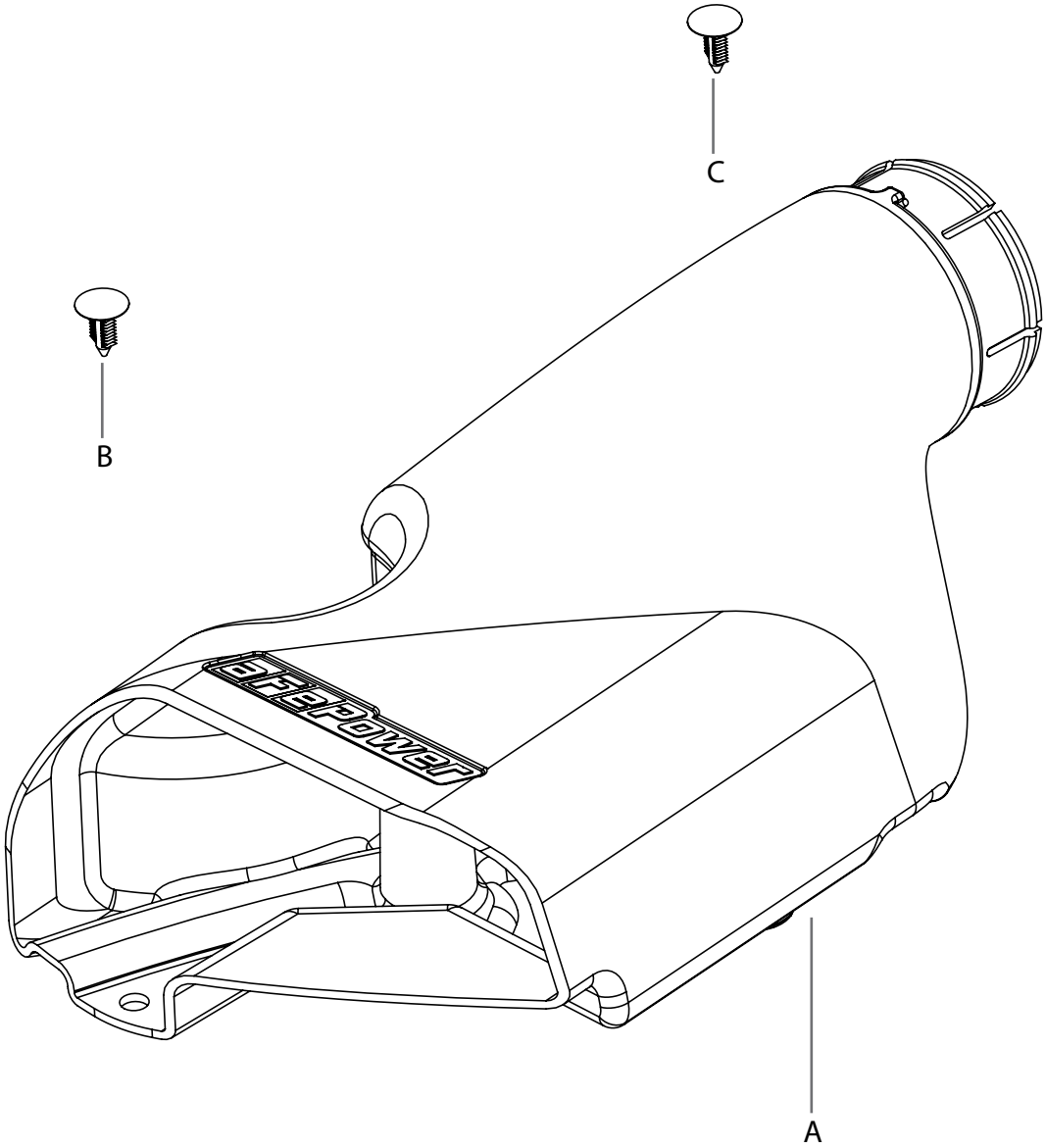
- Please read the entire instruction manual before proceeding.
- Ensure all components listed are present.
- If you are missing any of the components, call customer support at 951-493-7185.
- Ensure you have all necessary tools before proceeding.
- Do not attempt to work on your vehicle when the engine is hot.

## Retain factory parts for future use.

Label	Qty.	Description	Part Number
A	1	Scoop, Rotomold	05-76105B3
B	1	Retainer Clip	03-50525
C	1	Retainer Clip, 8mm	05-01407

**Warranty Information available at:** <https://afepower.com/contact#warranty>

**Emission Disclaimer:** This system is not currently CARB exempt and is not available for sale in California or for use on any vehicle registered with the California Department of Motor Vehicle.





FigureA

Refer to Figure A for Steps 1-3

Step 1: Remove the plug on the housing if installed.

Step 2: Push the aFe scoop into the round opening of the housing.

Step 3: Secure the scoop with the push plastic rivet and the Christmas tree plastic rivet, inside the scoop.



FigureB

Refer to Figure B for Step 4

Step 4: Verify the scoop is secured correctly. The installation is now completed.



PAGE LEFT BLANK INTENTIONALLY

PAGE LEFT BLANK INTENTIONALLY



**advanced FLOW engineering, inc.**

Corona, CA 92879

<https://afepower.com/contact>