



## INSTALLATION INSTRUCTIONS

MAKE: Toyota

MODEL: Tacoma

YEAR: 1999-2004

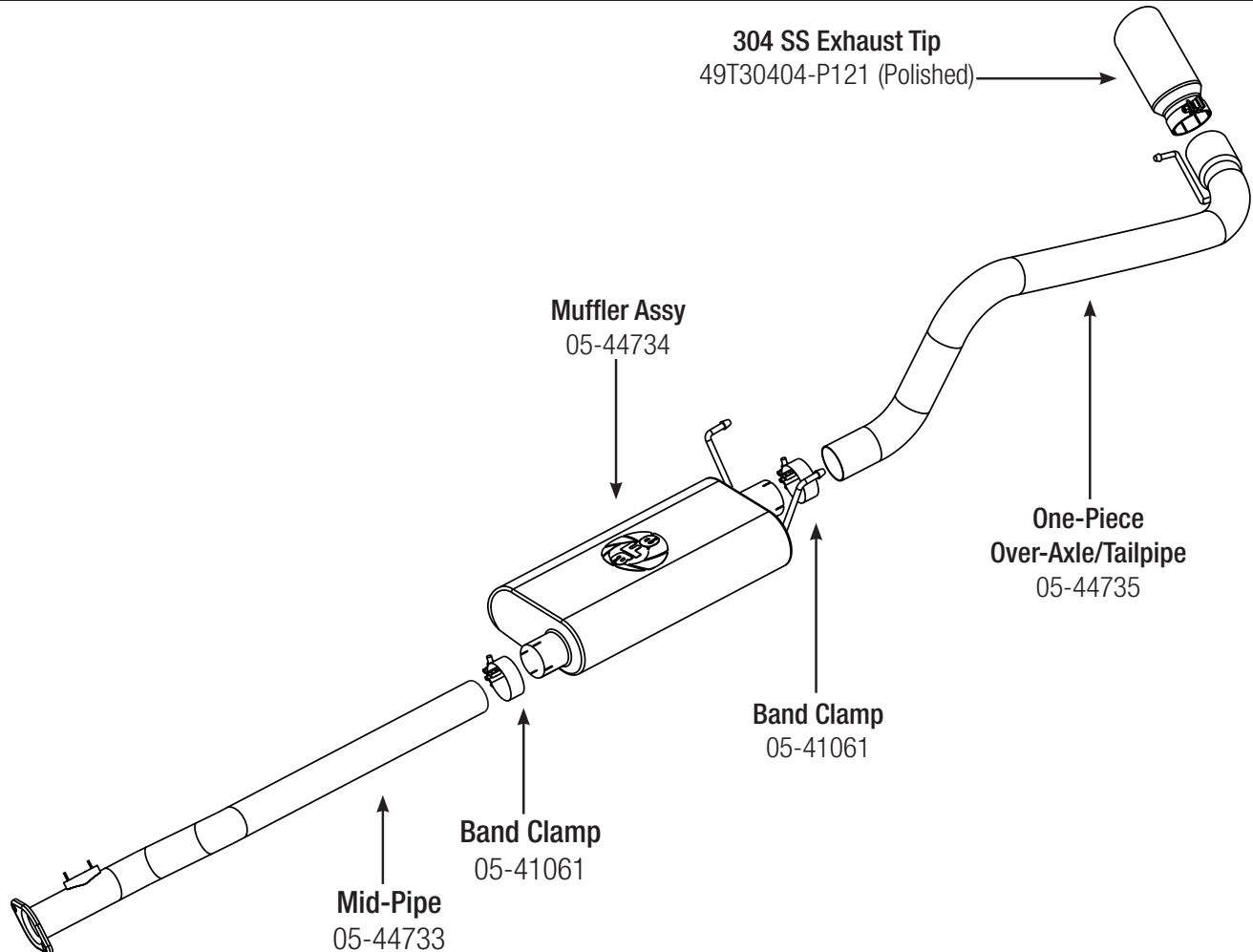
ENGINE: L4-2.4/2.7L

WHEELBASE: 121.9"

Extended Cab/Standard Bed (74.4" Bed)

Double Cab/Short Bed (61.2" Bed)

**Cat-Back**  
**49-46004 (409SS)**



**Step 1: (Read Instructions prior to installation)** Remove your stock exhaust up to the catalytic converter from the rear of your truck working your way forward. Take caution not to damage the factory hardware and isolation mounts as they will be reused.

**It is recommended to not fully tighten the clamps until the entire system has been installed.**

**Step 2:** For faster installation spread the pieces of the exhaust along side of your vehicle according to the diagram shown.

**Step 3:** Install Mid-Pipe and attach bolts. Do not fully tighten at this time.

**Step 4:** Install 2.5" band clamp on Muffler Assembly. Install Muffler Assembly onto Mid-Pipe assembly and install onto factory Rubber Isolator Mounts.

**Step 5:** Install 2.5" band clamp onto back of Muffler Assembly and install Over-Axle/Tailpipe. Install onto factory Rubber Isolator Mount.

**Step 6:** Install tip and align system.

**Step 7:** Starting from front to rear of the exhaust, tighten bolts and clamps and install O2 sensor to factory torque specs.

**Step 8:** Your installation is now complete. It is recommended to re-tighten all exhaust components after 50-100 miles.

**NOTES:** aFe recommends that the tailpipe be at least 1/2"-1" away from any body panels to avoid heat related body damage. **Tighten and secure.**

**Caution:** Allow time for your vehicle to cool down prior to installation. When working on or under your vehicle proceed with caution. Exhaust systems reach high temperatures and may cause serious burns. Wear protective safety equipment; eye goggles and gloves to ensure a safe installation. **aFe recommends professional installation on our products.**