



P/N
49-44005
49-44006

GM

SILVERADO/SIERRA 1500

2007-2008 V8-4.8, 5.3, 6.0L

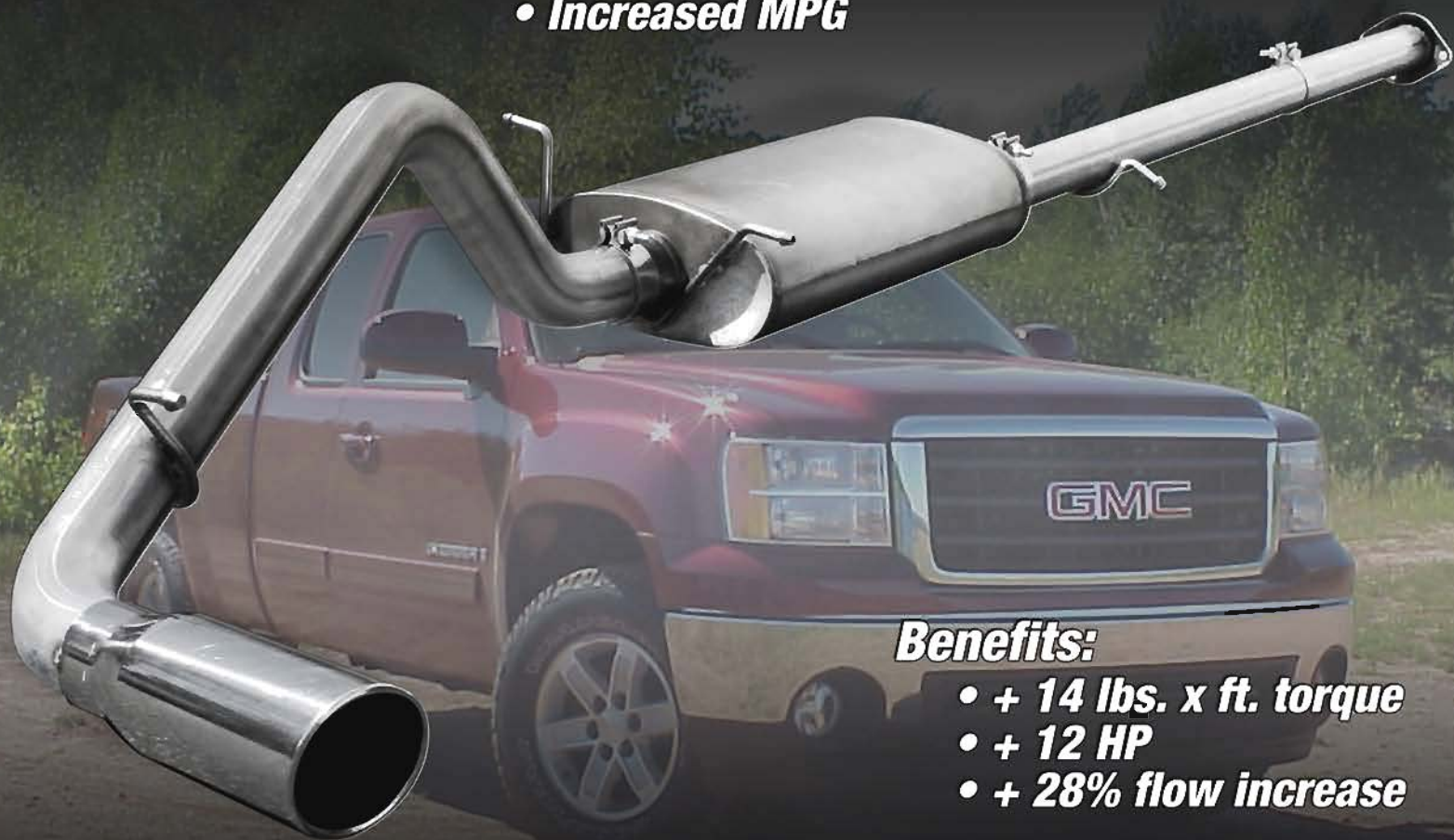
FLEX FUEL OK (DOES NOT FIT HYBRID)

PERFORMANCE EXHAUST

**SILVERADO
SIERRA**
GMT 900 PLATFORM
119", 133", 143" & 157" WB

Features:

- High performance
- 3" mandrel-bent
- 409 SS construction
- Increased flow
- OE style clamps and hangers
- Performance sound on demand
- Increased MPG



Benefits:

- + 14 lbs. x ft. torque
- + 12 HP
- + 28% flow increase

aFePower.com





INSTALLATION INSTRUCTIONS

MAKE: Chevrolet/ GMC

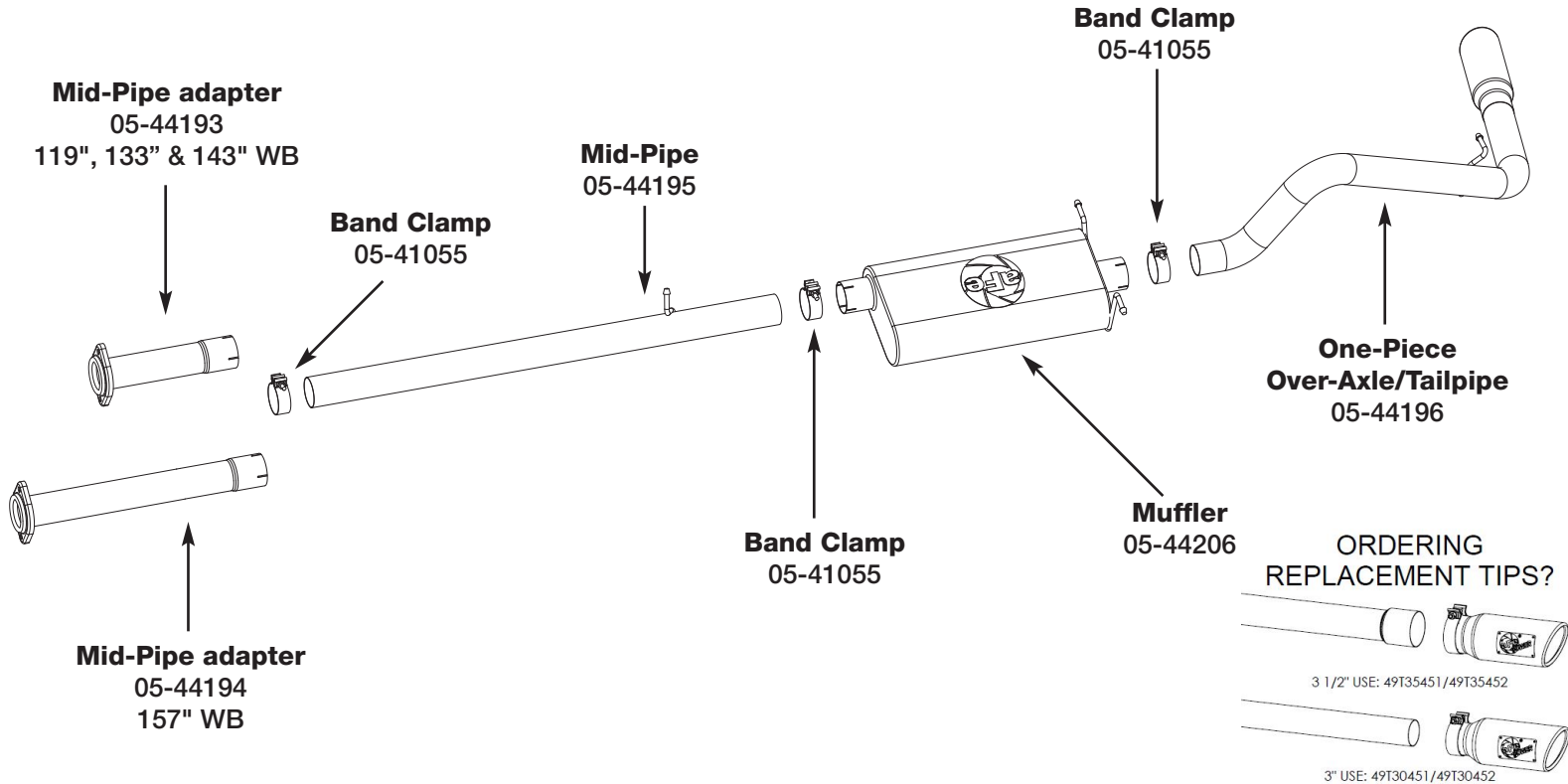
MODEL: Silverado/Sierra

YEAR: 2007-2008

ENGINE: V8-4.8L, 5.3L & 6.0L

CHASSIS: GMT 900

WHEELBASE: 119", 133" & 143" (P/N: 49-44005)
157" (P/N: 49-44006)



Step 1: (Read Instructions prior to installation) Remove your stock exhaust up to the catalytic converter from the rear of your truck working your way forward. Take caution not to damage the factory isolation mounts as they will be reused.

It is recommended to not fully tighten the clamps until the entire system has been installed.

Step 2: For faster installation spread the pieces of the exhaust along side of your vehicle according to the diagram shown.

Step 3: Install the mid-pipe adapter. Slip band clamp over expanded end of the mid-pipe prior to installation. Now install the mid-pipe. It will require cutting at the front end. Cut on end furthest from hanger to fit shorter wheel bases. Test fit prior to cutting. Cut 10" for 133" WB, Cut 24" for 119" WB and do not cut for 143" & 157" WB.

Step 4: Slip band clamp over expanded end of muffler prior to installation. Now install muffler onto mid-pipe and rubber isolaters.

Step 5: Utilizing the factory isolation mounts now install over-axle/tailpipe and tighten all clamps from front to rear.

Step 6: Your installation is now complete. It is recommended to re-tighten all parts after 50-100 miles.

NOTE:

- aFe recommends that the tailpipe be at least 1/2"-1" away from any body panels to avoid heat related body damage. **Tighten and secure.**

Caution: Allow time for your vehicle to cool down prior to installation. When working on or under your vehicle proceed with caution. Exhaust systems reach high temperatures and may cause serious burns. Wear protective safety equipment; eye goggles and gloves to ensure a safe installation. aFe recommends professional installation on our products.