



INSTALLATION INSTRUCTIONS

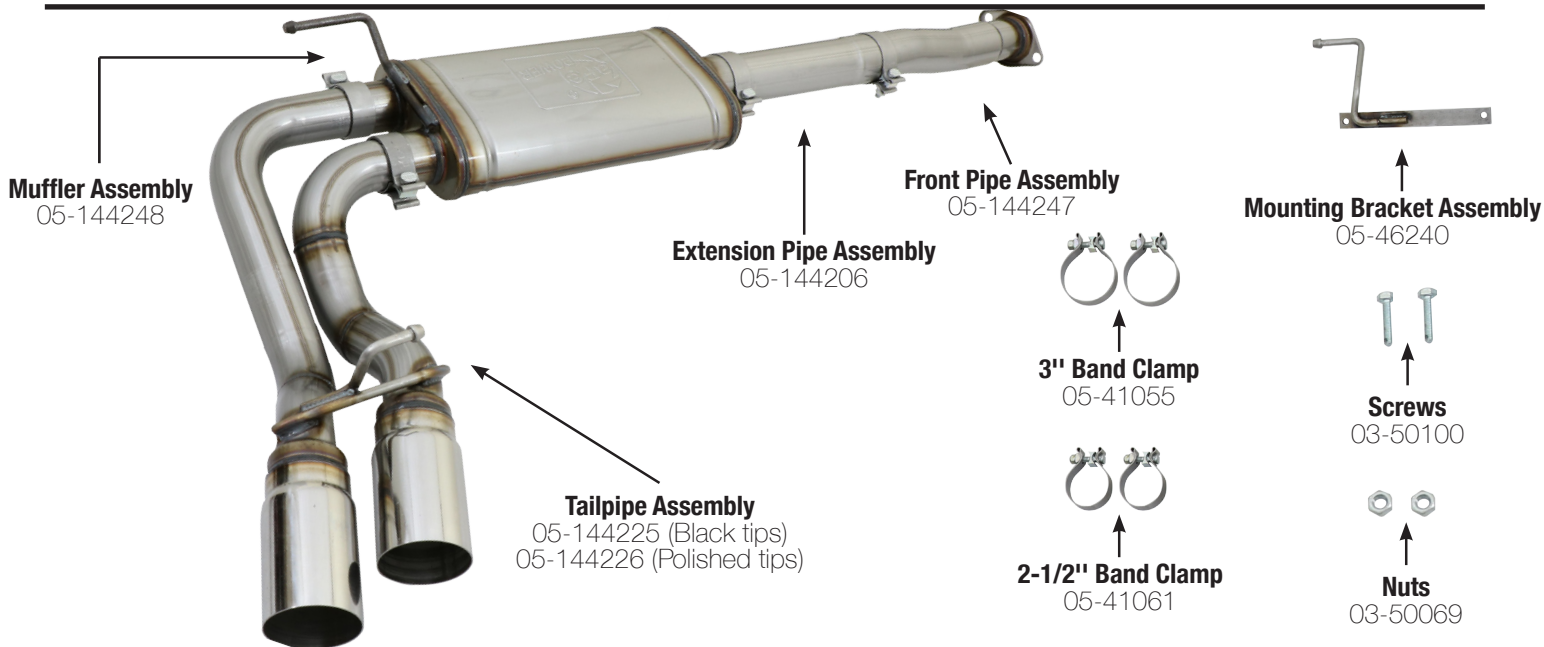
MAKE: Toyota
MODEL: Tacoma
YEAR: 2005 - 2015
ENGINE: V6-4.0L

Cat-Back

49-46033-P (Polished Tips)

49-46033-B (Black Tips)

FITS: CC/SB (Double Cab; 5.0FT Bed, 127.8" WB)
 CC/LB (Double Cab; 6.1FT Bed, 140.9" WB)
 EC/LB (Access Cab; 6.1FT Bed, 127.8" WB)



Caution: aFe recommends professional installation on our products. Allow time for your vehicle to cool down prior to installation. When working on or under your vehicle proceed with caution. Exhaust systems reach high temperatures and may cause serious burns. Wear protective safety equipment; eye goggles and gloves to ensure a safe installation.

Step 1: (Read instructions prior to installation.) Remove your stock exhaust up to the catalytic converter from the rear of your vehicle, working your way forward. Take caution not to damage the factory hardware and isolation mounts as they will be reused. (It is recommended not to fully tighten the clamps until the entire system has been installed.)

Step 2: For faster installation spread the pieces of the exhaust alongside of your vehicle according to the diagram shown.

Step 3: Install the muffler assembly onto the stock y-pipe using the stock bolts, gaskets, and factory isolation mounts. (Use a jack stand to support the muffler assembly.)



Figure A

Step 4: Install the provided hanger bracket using the provided hardware and one of the factory isolation mounts. (See Figure A and B as a reference.)

Step 5: Install the provided 2.5" band clamps onto the end of the muffler assembly, then slide in the Tailpipe assembly and install onto the provided hanger bracket using the stock isolation mount.



Figure B

Step 6: Adjust and align the exhaust system to desired position. You can now begin to tighten down the exhaust starting from the front flange working your way back.

Step 7: Your installation is now complete. It is recommended to retighten all exhaust components after 50-100 miles.

Note: aFe recommends that the tailpipe be at least 1/2"-1" away from any body panels to avoid heat related body damage. Tighten and secure.