



**Read through all of the instructions completely before beginning the install.**

**Parts Included:**

1 x PRP Seats Suspension Seat for XP 1000 or S 900  
2 x Steel support tubes (shipped on the under side of the seat)  
4 x small screws, nuts and washers to attach pull strap

**Hardware Included with Stock seat:**

8 x Screws  
4 x Washers  
4 x Locking washers  
4 x spacers

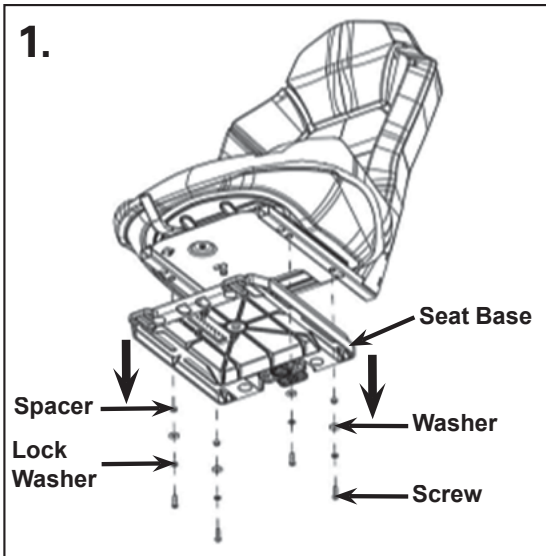
**Tools required:**

Phillips head screwdriver  
T-27 Torx (Included with vehicle tool kit, magnetic recommended)  
5/16 open end wrench

**Remove all parts from the box and unwrap completely using the packaging to lay out the pieces.**

**Time:**

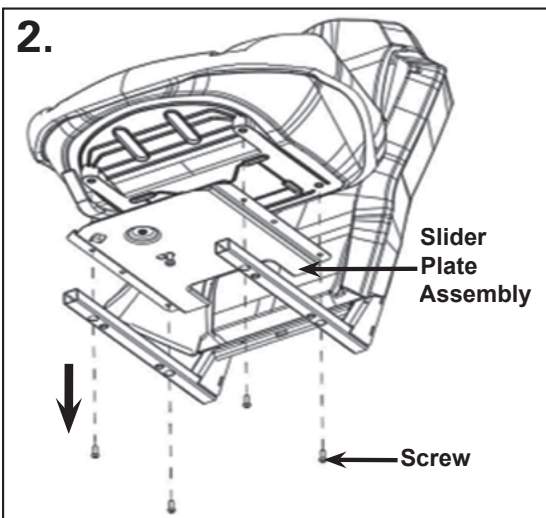
Approx 15 minutes.



### 1. Remove stock seat base

Using a T-27 torx bit, remove plastic seat base by removing four screws, four spacers and relevant washers.

**IMPORTANT:** Retain hardware for reinstallation.



### 2. Remove stock seat slider

Using a T-27 torx bit, remove the seat slider plate assembly from the stock seat by removing the 4 screws. Discard stock seat back and bottom cushion.

**IMPORTANT:** Retain hardware for reinstallation.



### 3. Install Seat Slider on PRP Seat

Place the stock slider on the bottom of your new PRP Seat. Using the hardware removed in step two, secure the slider and the square support tubes provided to the base of the seat, ensuring the longer end of the square tubes is facing towards the front of the seat.

**NOTE:** A magnetic driver is recommended.



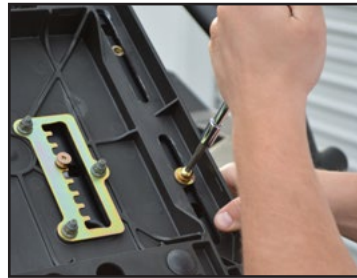


#### 4. Install Seat Base

Position seat base and lock in the slider mechanism. Using ALL the hardware removed in step 1 (Screws, washers, lock washers, spacers), reinstall the stock seat base.

**IMPORTANT:** You must re-use the spacers. Without the spacers, the seat will not slide properly.

**IMPORTANT:** Only tighten the bolts by hand. Over-tightening may cause the threads in the square tubes to break loose.



#### 5. Attach pull strap

Using the hardware attached to the outside of one of the seats in a RED BAG and a 5/16 wrench, attach the pull strap on the back of the seat to the under side of the latch on the stock seat base.



#### 6. Aaaaaand, your done!

Congratulations! Your new PRP Seats is installed and ready to use.

If you have any questions or experience issues, please contact your retail outlet first for help. However, the staff at PRP is always happy to help at **1-800-317-6253**.

**Thank you! Ride Safe!**