

Installation instructions

63-67 Chevrolet Corvette

3.4102 Coupe (hard top)

3.4152 Roadster (convertible)

3.4153 Seat belt cushions

It is recommended that if you are unfamiliar with this type of work that you refer to a qualified service center specializing in this type of work. It is also recommended that if you choose to do this work yourself that a factory service manual be obtained for the proper procedures pertaining to removal, replacement and proper torque specifications for your vehicle. This instruction set is intended as a guideline for the safe installation of Energy Suspension's polyurethane bushings, once you have removed the factory components from your vehicle.

ENERGY SUSPENSION
 1131 VIA CALLEJON, SAN CLEMENTE, CA 92673

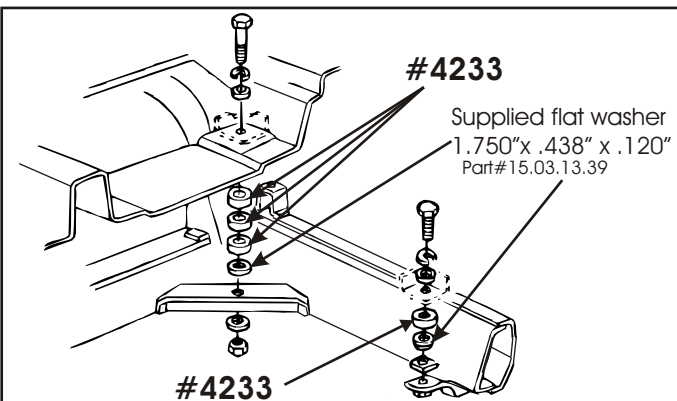
© 2005 Energy Suspension. All rights reserved.
 May not be reproduced, in any form, or by any means, without the written consent of Energy Suspension.

Read these instructions carefully before installing mounts.

NOTE: Be sure on disassembly to note the quantity and positions of any shims or spacers that may have been inserted for body alignment. These shims or spacers will have to be re-used to insure proper body alignment. Position # 2 is for convertible only. 63-64 Corvettes used cushions at the seat belt mounts, be sure to remove the bolts from this position before raising body. Install mounts one side at a time with bolts on other side loosened only! Customer must reuse or replace if O.E. hardware is unusable (bolts, lock washers, shims, spacers and nuts).

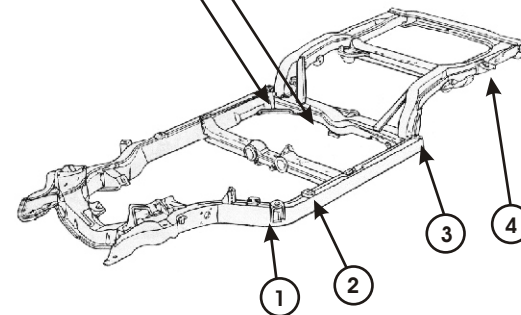
REMEMBER: Only raise body high enough to remove & replace mounts. Always watch the fan shroud for sufficient clearance when raising body. When jacking body use a long enough 2x4 - 4x4 for maximum support. Never put jack directly on body panels. Re-torque to factory specifications.

NOTE: Actual parts may vary from graphical depiction below.

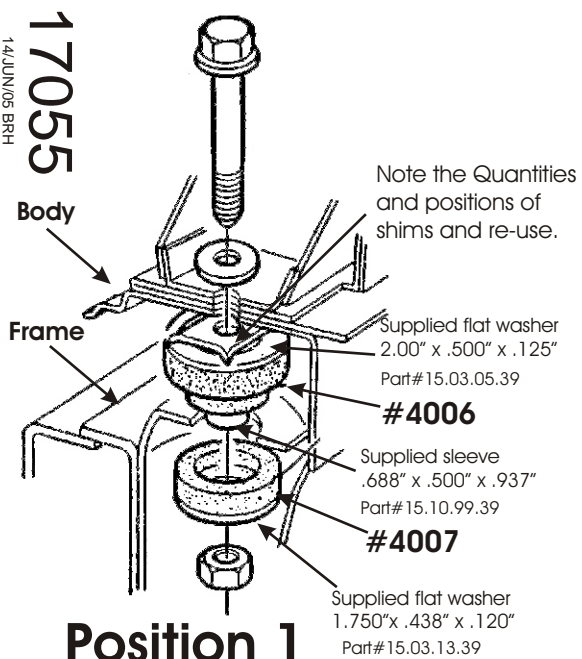


Set # 3.4153 63-64 Seat belt mount cushion positions. Only the cushions and washers are supplied, customer must reuse all O.E. hardware.

Seat belt cushion positions



Frame Position Diagram



NOTE: Position # 2 is for convertible only and is supplied in set # 3.4152

