

Installation Instructions

For set # 16.3102
1984-1987 Honda Civic/CRX
Rear Axle Beam Bushings



1131 VIA CALLEJON, SAN CLEMENTE, CA 92673

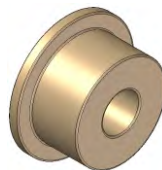
© 2011 Energy Suspension. All rights reserved.
May not be reproduced, in any form, or by any means,
without the written consent of Energy Suspension.

It is recommended that if you are unfamiliar with this type of work that you refer to a qualified service center specializing in this type of work. It is also recommended that if you choose to do this work yourself that a factory service manual be obtained for the proper procedures pertaining to removal, replacement and proper torque specifications for your vehicle. This instruction sheet is intended as a guideline for the safe installation of Energy Suspension's polyurethane bushings, once you have removed the factory suspension components from your vehicle. Wheel alignment is almost always disturbed when suspension components are removed or replaced. It is recommended that you have the alignment checked on your vehicle at a qualified alignment shop.

Parts list:

- 2 ea 3215 (Axle Beam Pivot - Outboard Bushing)
- 2 ea 3216 (Axle Beam Pivot - Inboard Bushing)
- 2 ea 15.10.225.39 (.875 OD x .480 ID x 2.230 L Sleeve)
- 2 ea 15.10.635.39 (.875 OD x .406 ID x 2.230 L Sleeve)
- 2 ea 7065 (Panhard Rod Bushing)
- 2 ea 7066 (Panhard Rod Bushing)
- 1 ea 17571 (Instructions)

Grease - Formula 5 Prelube



3215



15.10.225.39



7065



3216



15.10.635.39



7066

The original factory outer metals shells are reused for the trailing arm pivot bushings.

The original factory inner metal sleeves are reused for the track rod bushings.

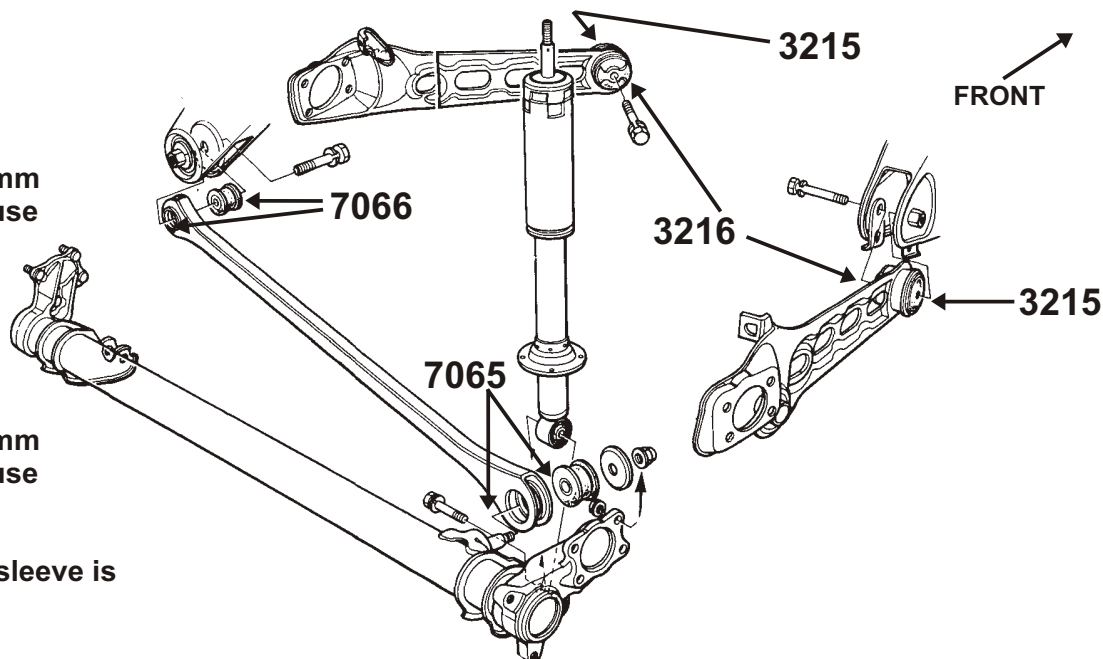
Thoroughly grease bushings and all metal surfaces that will contact bushings prior to installation.

NOTE:

Early models have a 10mm pivot bushing bolt and use sleeve 15.10.635.39

Later models have a 12mm pivot bushing bolt and use Sleeve 15.10.225.39

Ensure that the correct sleeve is Used for your vehicle.



17571

19/APR/11 MAM