

# Installation Instructions for Set #16-1104



Read this instruction sheet thoroughly before initiating any work!

1131 VIA CALLEJON, SAN CLEMENTE, CA 92673

The pictures are to help depict placement of parts, actual visual resemblances may vary.

Raise vehicle to suitable height and support properly to allow easy access to the engine mounting locations. **NOTE:** BE SURE VEHICLE IS SECURELY SUPPORTED BEFORE GOING UNDERNEATH. Find a suitable jacking location near the torque mount to be removed. Do not lift on crankshaft pulleys or oil pan. Support the engine enough to remove load from the torque mount(s). Remove engine mounting bolt. **NOTE:** BE CAREFUL NOT TO CAUSE DAMAGE TO OTHER ENGINE COMPONENTS BY RAISING THE ENGINE TOO HIGH, ie, DISTRIBUTOR CAP, FUEL LINES, FAN, etc. Remove torque mount and install the new inserts. **NOTE:** In some cases it is not necessary to completely remove torque mount in order to install the inserts. Refer to steps 1 & 2 below and then tighten all fasteners to factory specifications. Be sure to check hood clearance before closing.

Due to the many different suppliers of O.E.M. and aftermarket mounts, slight modifications to these inserts may be necessary. ENERGY SUSPENSION recommends that you fit check each insert, and grind any inconsistencies away so insert fits completely into O.E.M. Mount cavity.

**\* NOTE** -The #1055 motor mount insert fits both the driver's side and passenger side locations.

17322  
050506 NIT

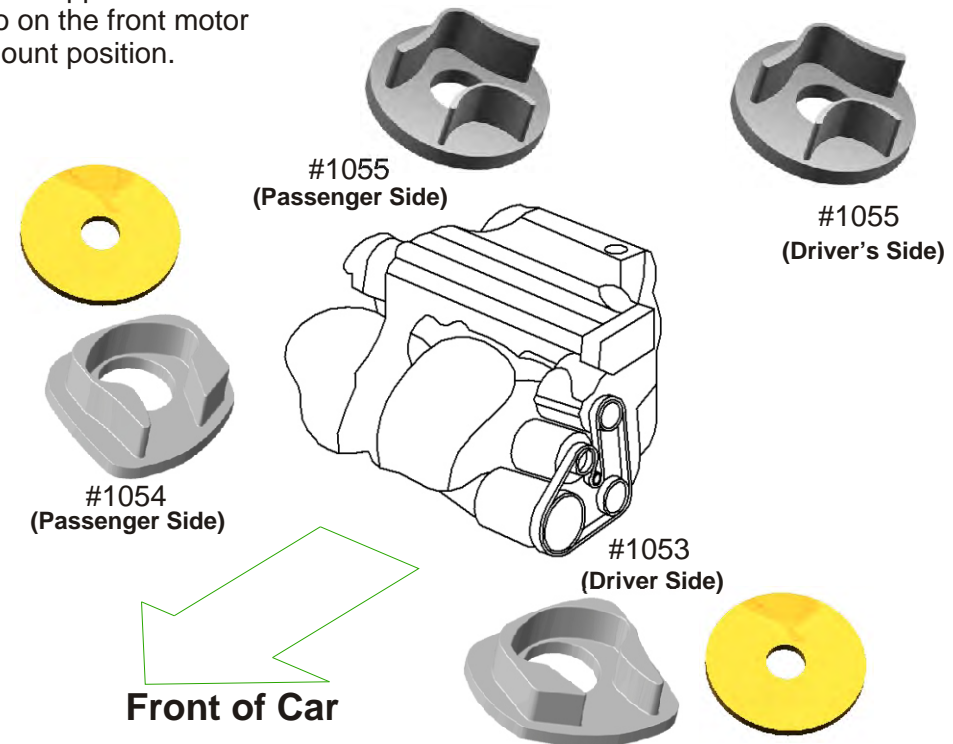
## STEP 1

Inspect engine torque mount for excessive wear and cracking. **If** the mount is severely damaged, ENERGY SUSPENSION recommends replacing with a new engine torque mount. Clean any dirt, grease, and excess rubber flashing that may be present inside the engine torque mount. **NOTE:** IT IS VERY IMPORTANT THAT THE INSIDE OF THE TORQUE MOUNT BE CLEAN AND FREE OF FLASH.

## STEP 2

Install the polyurethane inserts into the torque mount. One insert will be installed on each side of the torque mount. If supplied in set, use the nylon retainers. Note: The square head of nylon tie may need to be trimmed to seat flush against insert. Refer to illustration for proper orientation of parts. Reassemble torque mount into engine compartment.

The supplied washers go on the front motor mount position.



© 2002 Energy Suspension. All rights reserved.  
May not be reproduced, in any form, or by any means,  
without the written consent of Energy Suspension.