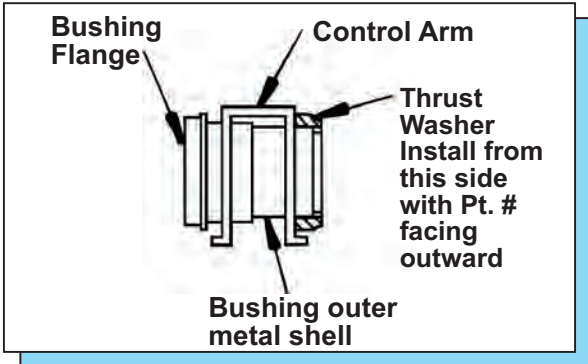


Multi Purpose Differential Thrust-Washer Instruction Sheet

The thrust washers are designed to prevent the control arm from walking side-to-side by accepting side load pressure created during hard cornering. Most kits contain more than one part #. It is very important to install them at the correct location. See illustration for your set #. Remember, apply a light amount of the supplied grease to all faces that contact metal.

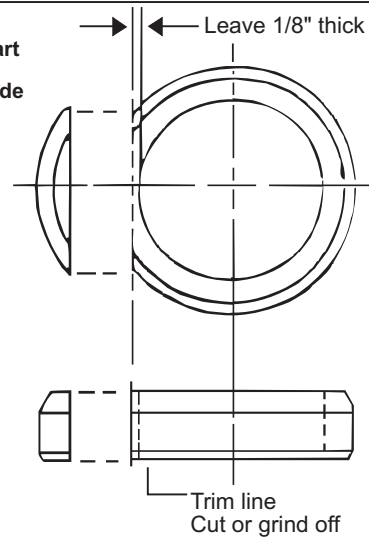
Notes: On GM vehicles with a 12 bolt inspection cover, a slight modification must be done to one of Pt. # 3089. A flat area must be cut on thrust washer (see illustration) before installing. This allows for sufficient clearance between bushing outer shell and differential casting on drivers side upper. (12 bolt only) **Set # 3-3132:** Vehicles with boxed in lower control arms use Pt. #3087 instead of Pt. # 3088. 1964-67 vehicles use Pt. # 3088 instead of Pt. # 3087 due to a wider upper control arm.

Note: It is recommended that this set be professionally installed if you are unfamiliar with this type of work, and a factory service manual be purchased prior to performing any work on your vehicle for proper disassembly, reassembly and torque specs. These instructions are intended for bushing removal and install of Energy Suspension polyurethane bushings, once you have removed the factory component from your vehicle.



© 2003 Energy Suspension. All rights reserved. May not be reproduced, in any form, or by any means, without the written consent of Energy Suspension.

Illustration is for modification of part # 3089 on G.M. 12 bolt only. Driver side upper rear Thrust-washer.



Find your set # below. Use parts list with positional diagram **A**

Set # 3-3132(see Notes)
 Position # 1 - 3088
 Position # 2 - 3088
 Position # 3 - 3087
 Position # 4 - 3089

Set # 4-3120
 Position # 1 - 3087
 Position # 2 - 3087
 Position # 3 - 3141
 Position # 4 - 3142

Set # 3-3133
 Position # 1 - 3088
 Position # 2 - 3088
 Position # 3 - 3088
 Position # 4 - 3110

Set # 3-3136
 Position # 1 - 3232
 Position # 2 - 3232

Set # 3-3140
 Position # 1 - 3128
 Position # 2 - 3119
 Position # 3 - 3114
 Position # 4 - 3114

Set # 3-3141
 Position # 1 - 3112
 Position # 2 - 3112

Set # 4-3114 or 4-3135
 Position # 1 - 3100
 Position # 2 - 3101
 Position # 3 - 3099
 Position # 4 - 3098

Set # 4-3115 or 4-3155
 Position # 1 - 3109
 Position # 2 - 3101
 Position # 3 - 3099
 Position # 4 - 3098

