

Installation instructions

For set # 4.3151

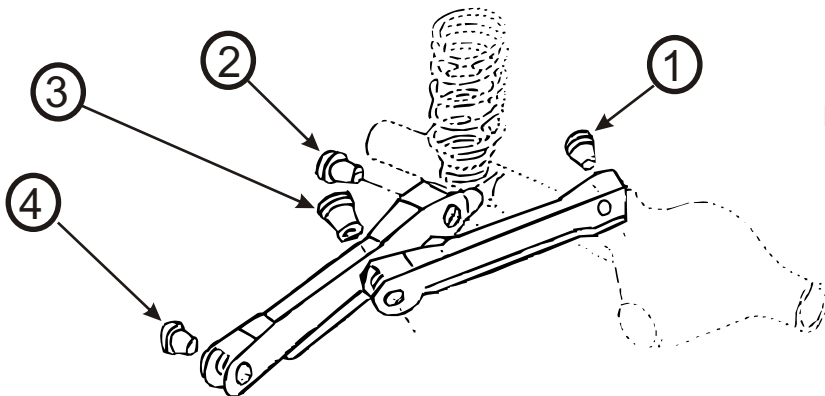
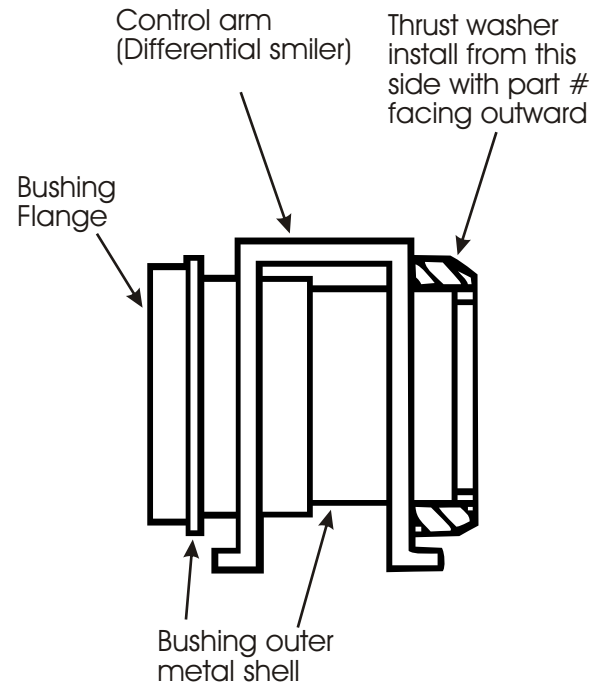
It is recommended that if you are unfamiliar with this type of work that you refer to a qualified service center specializing in this type of work. It is also recommended that if you choose to do this work yourself that a factory service manual be obtained for the proper procedures pertaining to removal, replacement and proper torque specifications for your vehicle. This instruction set is intended as a guideline for the safe installation of Energy Suspension's polyurethane bushings, once you have removed the factory components from your vehicle. Wheel alignment is almost always disturbed when suspension components are removed or replaced. It is recommended that you have the alignment checked on your vehicle at a qualified alignment shop. Energy Suspension recommends that you read over all the installation instructions and check all P/N's and quantities in the parts list before you start. Call customer service at 949-361-3935 if the parts in your kit do not match this parts list. **Apply grease to all metal parts that contact the polyurethane bushings.**

Parts list:

- 6 - 3345 (upper & lower control arm bushings).
- 6 - 3099 (outer thrust washer bushing).
- 2 - 3348 (upper differential bushing)
- 2 - 3101 (outer thrust washer bushing)
- 8 - 15.10.325.39 (.813" x .563" x 2.430" sleeve)
- 2 - 9.11101 (grease).
- 1 - 17273 (this instruction sheet).

Must use existing outer metal shells. DO NOT REMOVE FROM CONTROL ARMS!!

Remove old I.D. sleeve and old rubber from the shells
 Make sure the I.D. of the shells are clean and free of any old rubber
 Apply a light coat of grease to the I.D. of the shell
 Apply a light coat of grease to the I.D., O.D. and the flange
 Apply a light coat of grease to the O.D. of the new metal sleeve
 Install the bushing in the shell and install the sleeve last
 Apply a light coat of grease to the faces of the thrust washer that contacts the metal surfaces



© 2009 Energy Suspension. All rights reserved.
 May not be reproduced, in any form, or by any means,
 without the written consent of Energy Suspension.

Position	Part #
1	3348 bushing 3101 thrust washer (.770" Thick.)
2,3 & 4	3345 bushing 3099 thrust washer (.460" Thick.)