

Installation Manual
V41 Adaptive Cruise Control Mount
Product Number: M6550
Application: 2020 FORD HD



IMPORTANT SAFETY GUIDE | Your safety and the safety of others is very important.

In order to help you make informed decisions about safety, we have provided the following warnings, safety precautions, installation instructions, and other important information to alert you to potential hazards that could hurt you or others.

Please do a job safety analysis before each task to identify potential hazards for your situation and remove/protect against them. Use own good judgment and take your time.

Check packaged materials immediately upon arrival to ensure that all listed parts are included and undamaged.

Read and understand all warnings, safety precautions, and instructions before installing this product.

SENSORS FIELD OF VIEW WILL BE ALTERED WITH USE OF THE REPLACEMENT BUMPER.

WARNINGS

- Failure to observe the following warnings and instructions provided in this manual could lead to severe injury and/or death.
- For professional installation only. Careless installation and/or operation can result in serious injury, death, and/or equipment damage. All liability for installation and use rests with the user or consumer.
- Fab Fours, Inc. only approves installing this product according to these written instructions with the hardware provided. Failure to install according to these instructions will invalidate the warranty. This includes, but is not limited to, using alternative installation methods, hardware, or materials.
- This product is for off road use only.

SAFETY PRECAUTIONS

- Always remove jewelry and wear eye protection.
- Always use extreme caution when jacking up a vehicle for work. Set emergency brake and use tire blocks. Locate and use the vehicle manufacturers designated lifting points. Use jack stands.
- Always use appropriate and adequate care in lifting components into place.
- Always ensure components will remain secure during installation and operation.
- Always wear safety glasses when installing this kit. A drilling operation will cause flying metal chips. Flying chips can cause serious eye injury.
- Always use extreme caution when drilling a vehicle. Always disconnect power before welding. Thoroughly inspect the area to be drilled (on both sides of material when possible) prior to drilling, and relocate any objects that may be damaged.
- Always use extreme caution when welding a vehicle. Thoroughly inspect the area to be welded (on both sides of material when possible) prior to welding, and relocate any objects that may be a fire hazard. When welding in a cab, make sure the interior surfaces are covered (e.g., welding blanket) and a fire extinguisher is at hand.
- Always use extreme caution when cutting and trimming during fitting.
- Always tighten all nuts and bolts securely per installation instructions.
- Always route electrical cables carefully. Avoid moving parts, components that become hot, and rough or sharp edges.
- Always insulate and protect all exposed wiring and electrical terminals.
- Perform regular inspections and maintenance on mounts and hardware.

TABLE OF CONTENTS

- 2 SAFETY / DISCLAIMER
- 3 TABLE OF CONTENTS
- 4 A MESSAGE FROM THE OWNER
- 5 GETTING STARTED
- 6 PROVIDED MATERIAL
- 7 DISASSEMBLY
- 9 INSTALLATION
- 11 CONTACT

A MESSAGE FROM THE OWNER

Fab Fours' was born out of a passion for customizing vehicles and a love of the outdoors. Our engineering team uses the latest 3D design software to turn new product ideas into reality. In our factory, designs come to life with the combination of cutting edge technology for metal cutting and forming and an American workforce that puts its' heart and pride into every product.

From design and manufacturing, to quality and delivery, Fab Fours' mission is to be the market leader for steel truck and jeep accessories. We make sure a quality product is delivered on time, more than expected, better than expected to our customers.

Enjoy your new Fab Fours product. Welcome to the family!

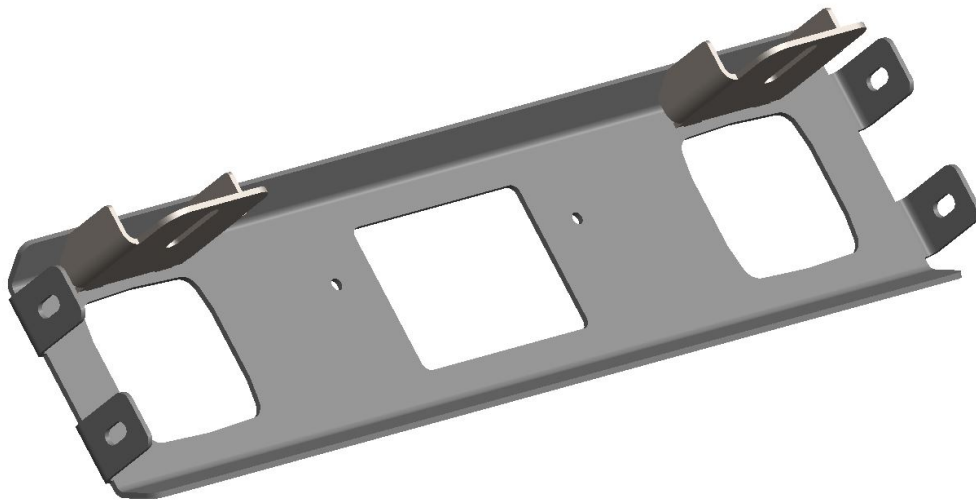
A handwritten signature in black ink that reads "Greg Higgs". The signature is written in a cursive, flowing style.

FOUNDER, FAB FOURS

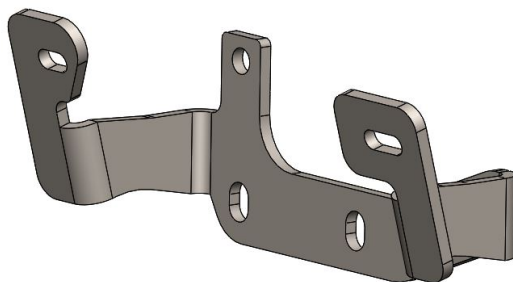
GETTING STARTED

Before you begin the installation process of your new Fab Fours product, we suggest laying out all materials and parts on a pad or protective surface.

Failure to fully account for all components before beginning installation may leave vehicle immobile until part is acquired. Refer to the next pages as an inventory check.



22453-W



22456-01

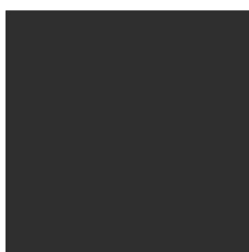
PROVIDED MATERIALS



M6550-IM



50283-HW



61784

HARDWARE KIT | 50283

Fab Fours Identification #	Component Description	QTY
50283-HW	1/4-20 x1, BUTTON HEAD SOC CAP SCREW, SS	2
50283-HW	1/4 SAE FLAT WASHER 18/8SS	4
50283-HW	1/4"-20 x NyLock, Hex Nut , SS, 18-8	2
50283-HW	5/16"-18 x .75", HHCS , Zinc, GR8	4
50283-HW	5/16 SAE FLAT WASHER STL ZINC	8
50283-HW	5/16"-SAE x , Lock Washer , Zinc, GR8	4
50283-HW	5/16"-18 x , Hex Nut , Zinc, GR8	4
50283-HW	M8-Metric x , Flat Washer , DIN125A	2
50283-HW	M8, Nylon-Insert Locknut, 18-8 SS	2

TOOLS REQUIRED

- Plastic panel pry tool
- 1/2" socket wrench
- 1/2" open end wrench
- 5/16" socket
- Flat head screw driver
- Socket driver bit

ASSISTANCE

We recommend two people perform the installation as items can be heavy and may need to be held in place while installing.

ORGANIZATION

Disassemble the vehicle where you can catalog and store everything. We suggest labeling and bagging all the OEM bolts when removing from the vehicle. Failure to keep track of parts could lead to an inability to properly reinstall components.

DISASSEMBLY

NOTE: Save all OEM parts until installation is complete!

1. Using a flathead screwdriver or body panel tool, carefully remove center plastic piece, indicated by oval/arrow in the center of the OE bumper. (Figure 1a or 1b)



Figure 1A

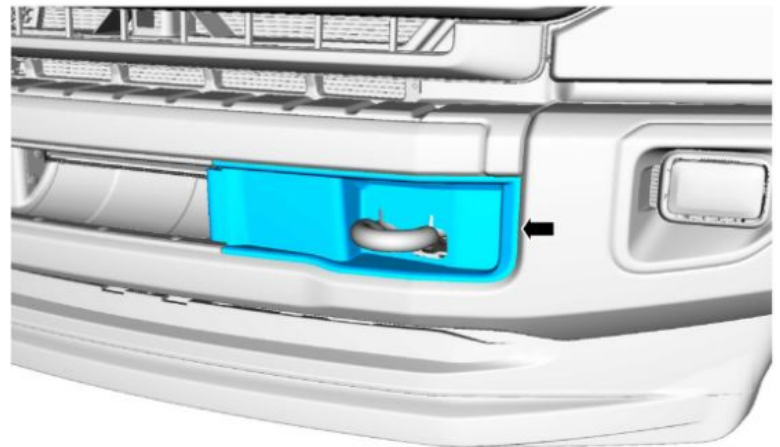


Figure 1B



Figure 1C

DISASSEMBLY

2. The adaptive cruise control module will be located behind the driver's sidecover (ref. fig. 1). Remove adaptive cruise control unit using an E6 external socket to remove the studs located with the arrows. Unplug the device(ref.fig. 2a-b).



Figure 2a

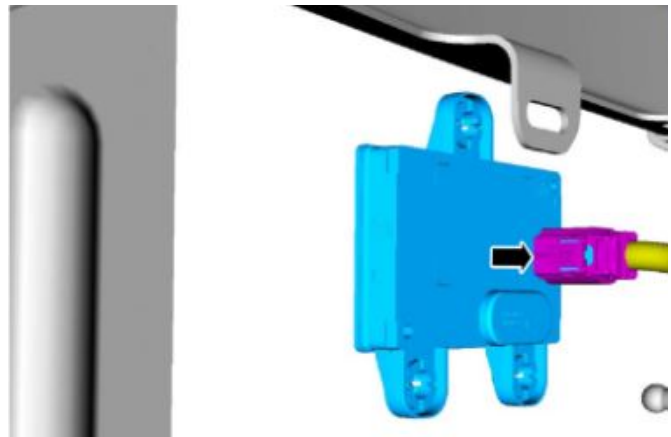


Figure 2b

INSTALLATION

3. Remove the 20" Light Bar from bracket in bumper (figure 3) if installed. Use a 1/2" socket and wrench.

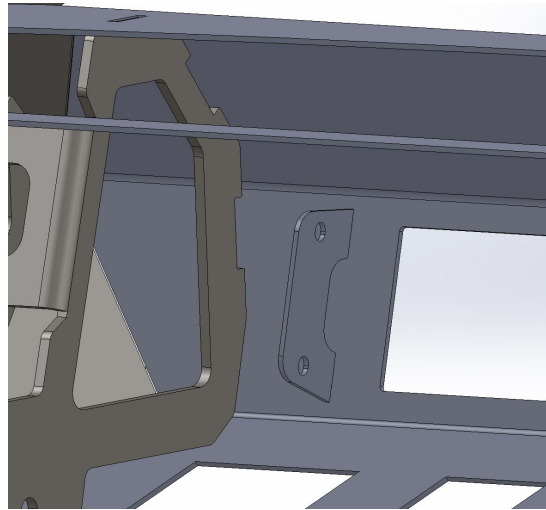


Figure 3

3. Using a E6 external socket and 13m wrench, attach ACC to mounting bracket. The black arrow indicates the M8 nuts for fixed mounting and the red arrow indicates the m6 weld nuts

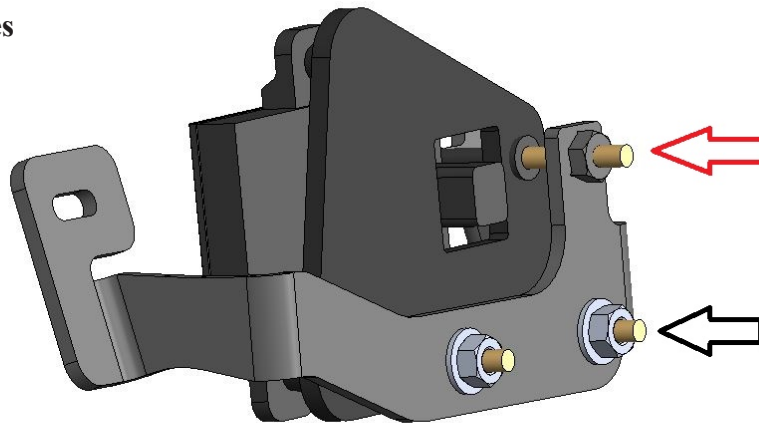


Figure 4

3. Cut plastic piece at top and bottom only (i.e. 61784) to sit flat against the front face while still covering ACC cut out (Figure 5).

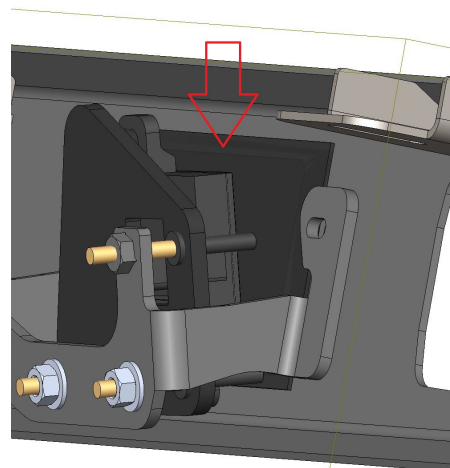


Figure 5

4. At this point install part 22453 using the 4x 5/16" bolt stacks (Figure 6). this can be completed with a 1/2" wrench and/or socket. Please note, part front face and bumper front face should be flush.

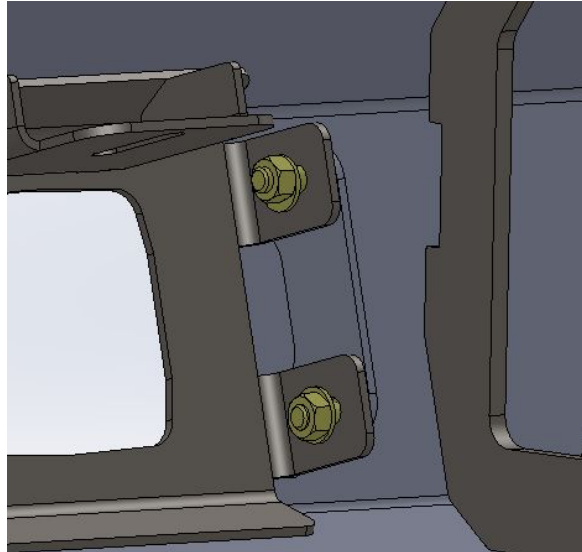


Figure 6

5. Place ACC module w/ bracket flush against mounting surface. Module should be 90 degrees (i.e. perpendicular) to the ground, if truck does not have a rake the top of the bumper could be used instead. If necessary adjust Front face of ACC using the top screw indicated by the arrow and a e6 external socket (Figure 7).

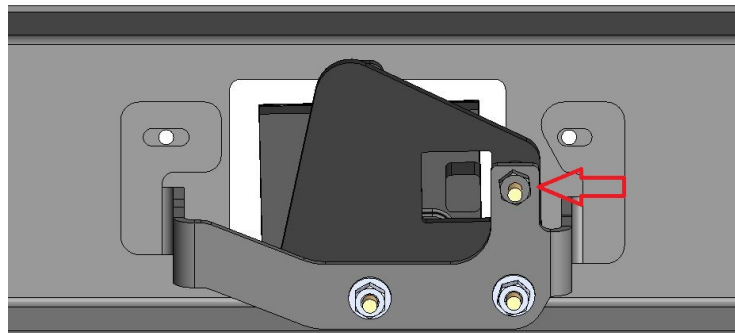


Figure 7

6. Now that the module has been adjusted, sandwich the plastic piece between the ACC bracket and the front face. Using the 1/4" stainless steel bolts, bolt in bracket centering module as much as possible (Figure 8)

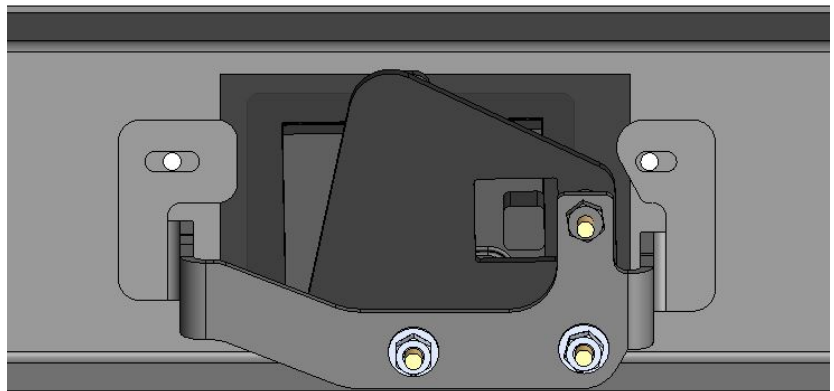


Figure 8

CONTACT INFORMATION

**FAB FOURS INC.
2213 INDUSTRIAL PARK ROAD
LANCASTER, SC 29720**

PHONE: (803) 416-1100

FAX: 970-385-1914

EMAIL: SUPPORT@FABFOURS.COM

WWW.FABFOURS.COM



**“IF YOU’RE LOOKING FOR MORE OF THE SAME,
THEN YOU’VE COME TO THE WRONG PLACE.”**

- GREG HIGGS

