

HONDA 2019-21 Talon 2 Seater Door Bags

Thank you for choosing Rough Country for all your vehicle needs.

Please read instructions before beginning installation. Check the kit hardware against the kit contents shown below. Be sure you have all needed parts and know where they go.

If question exist, please call us @1-800-222-7023. We will be happy to answer any questions concerning this product. Check all fasteners for proper torque. Check to ensure for adequate clearance between all components. Periodically check all hardware for tightness.

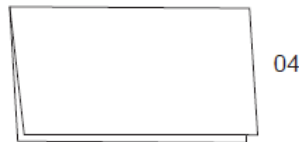
BEFORE YOU BEGIN

1. Read these instructions and check to be sure all parts and tools are accounted for.
2. Please retain these installation instructions for future reference and parts ordering information

IMPORTANT

1. Please read the installation instructions carefully before you start.
2. If the vehicle is clean and free of other debris, it will be easy to install.
3. For your safety and to ensure a satisfactory installation, please complete all the installation steps in the order shown below.

PRODUCT INFORMATION:



01 Driver lower door bag	x1
02 Passenger lower door bag	x1
03 Plastic screw	x14
04 Drilling templates	x2
05 Knee pads	x2

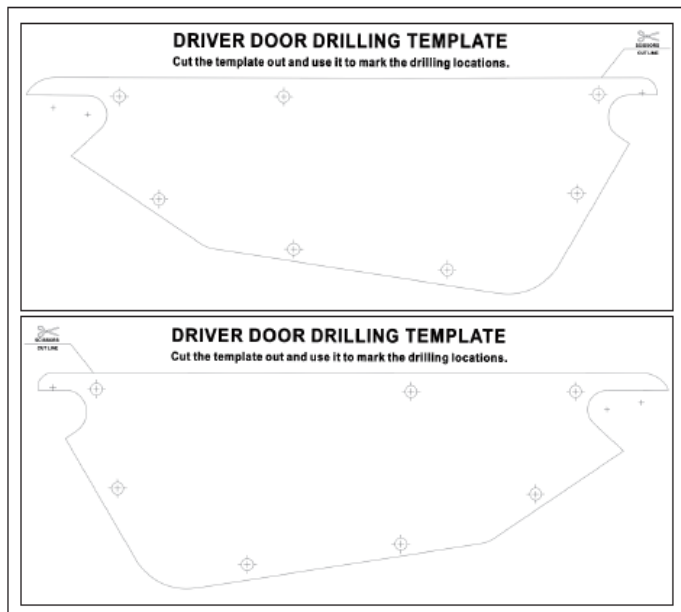
TOOLS REQUIRED

Power drill
8.5 mm drill bit
File
Tape

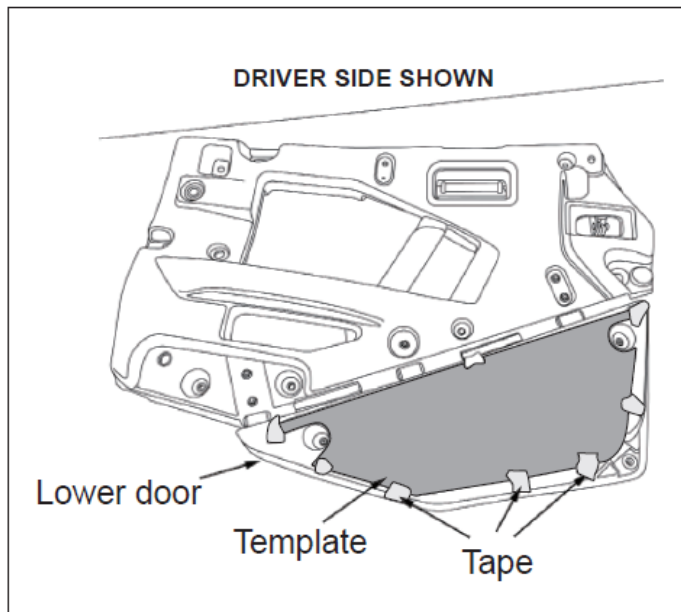
INSTALLATION TIPS:

NOTE: There is a DRIVER and PASSENGER side bag. Use the correct drilling template marked for DRIVER or PASSENGER side.

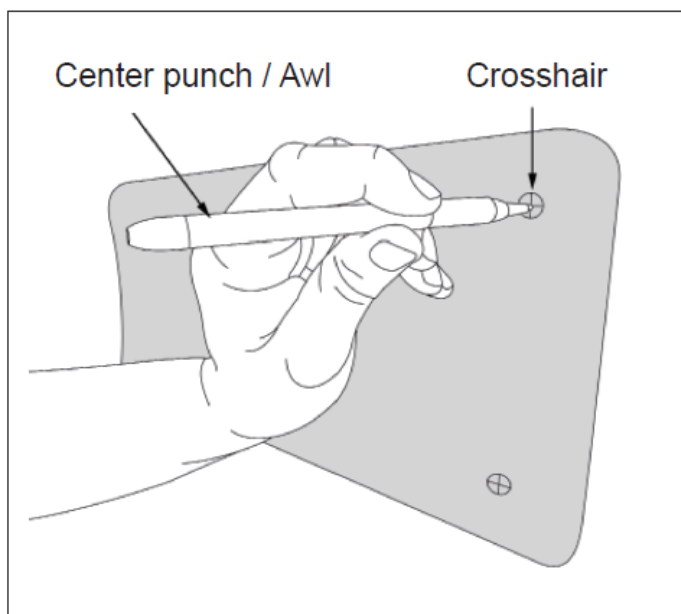
INSTALLATION INSTRUCTIONS



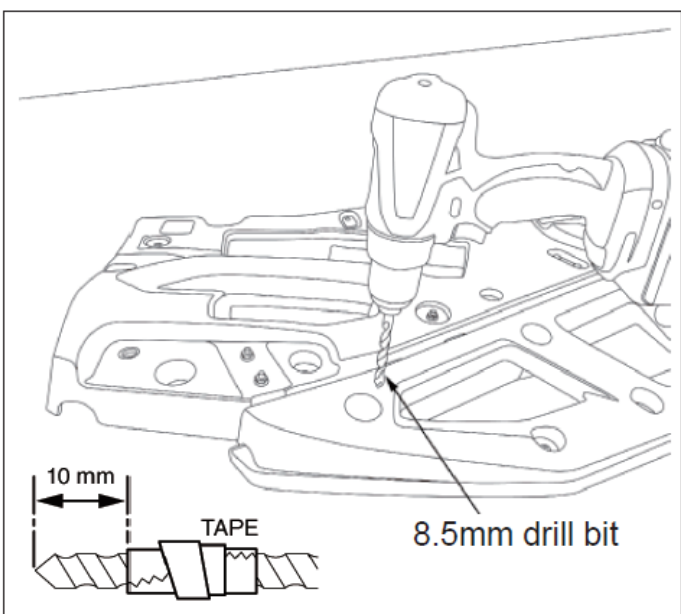
1. Cut out the supplied drilling templates along the lines.



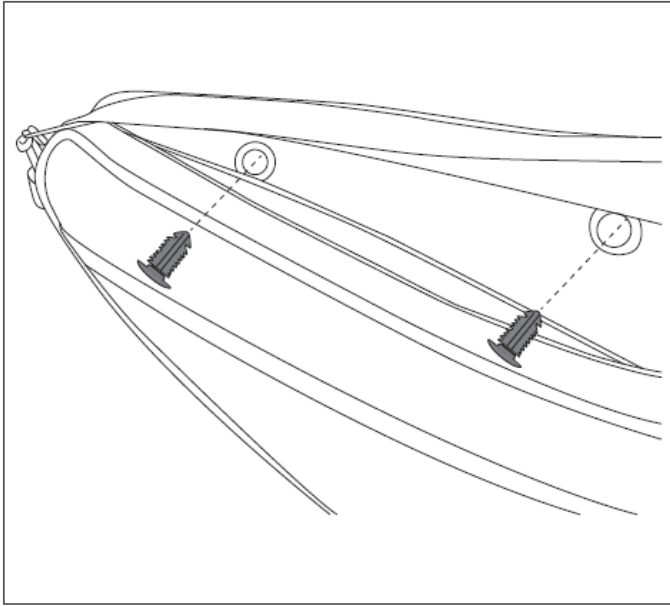
2. Line up the drilling template to the assembled lower door, then tape it in place.



3. Using a center punch or awl, mark center of each crosshair on the drilling template, then remove it. Marked points remain on the lower door.

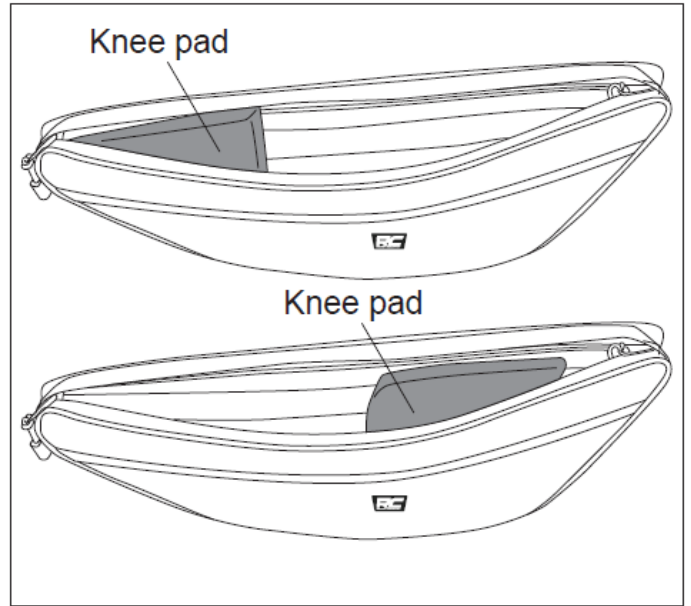


4. Before drilling, wrap a piece of tape around the drill bit 10 mm from the tip to serve as a drill stop. Drill an 8.5 mm hole at each marked point around the lower door. Use a file to remove any burrs.



5. Open the zipper inside the bag. Align the holes in the door bag to the drilled holes on the lower door.
Push plastic screws into each hole to secure the bag on the lower door.

6. Repeat Steps 2 through 5 for the opposite door.



7. Adjust the knee pad placement according to the driver/passenger preference.

By purchasing any item sold by Rough Country, LLC, the buyer expressly warrants that he/she is in compliance with all applicable, State, and Local laws and regulations regarding the purchase, ownership, and use of the item. It shall be the buyers responsibility to comply with all Federal, State and Local laws governing the sales of any items listed, illustrated or sold. The buyer expressly agrees to indemnify and hold harmless Rough Country, LLC for all claims resulting directly or indirectly from the purchase, ownership, or use of the items.

